

- Corrosion-resistant, extremely robust, easy to install
- Material: 316L stainless steel (1.4404)
- Compatible with cameras from the EC-942, EC-952, IC-942 series

## MY R. STAHL

Wall mount adapter for mounting EC-942, EC-952, IC-942 series cameras to a wall. The wall mount adapter is made of stainless steel and is corrosion-resistant.

### Technical Data

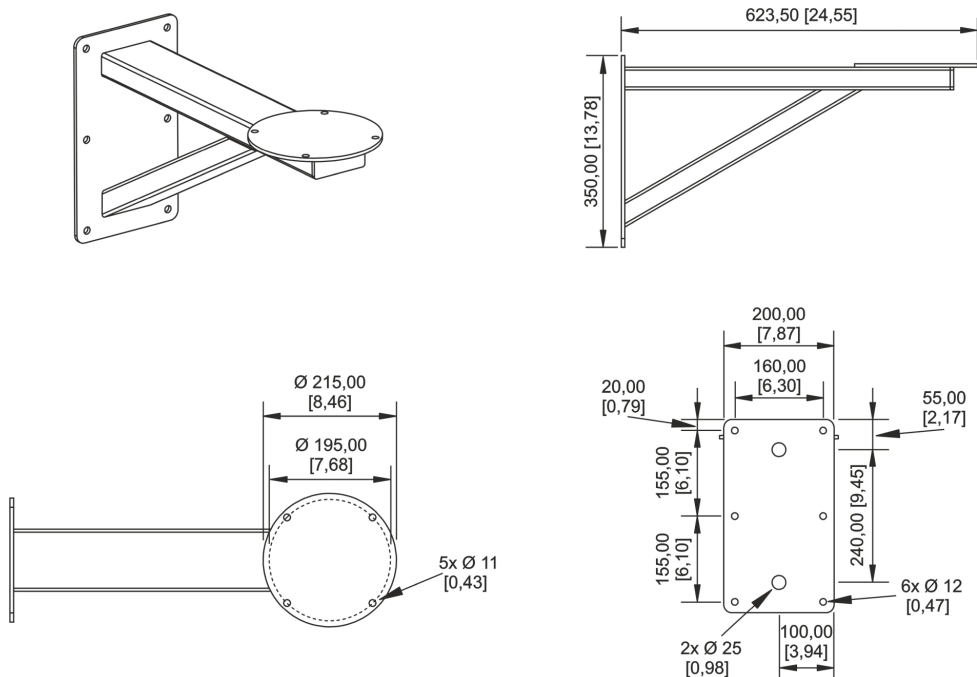
#### General

Product Type	WB-EC-942-SSBK-L
Description	for cameras of EC-942, EC-952 and IC-942 series

#### Mechanical Data

Version	Wall mount adapter
Type of installation	Wall mounting
Material	Stainless steel AISI 316L/1.4404
Dimensions (WxHxD)	623.5 mm x 350 mm x 200 mm
Package weight	11 kg
Weight	10 kg
Weight	22.05 lb

**Dimensional Drawings (All Dimensions in mm [inches]) – Subject to Alterations**



We reserve the right to make alterations to the technical data, dimensions, weights, designs and products available without notice. The illustrations cannot be considered binding.