



- Solid construction
- Easy installation and orientation
- For use in highly corrosive environments

## MY R. STAHL

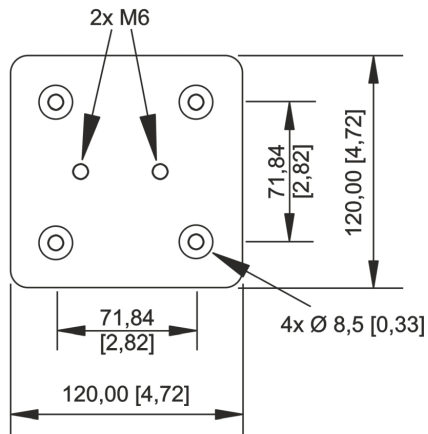
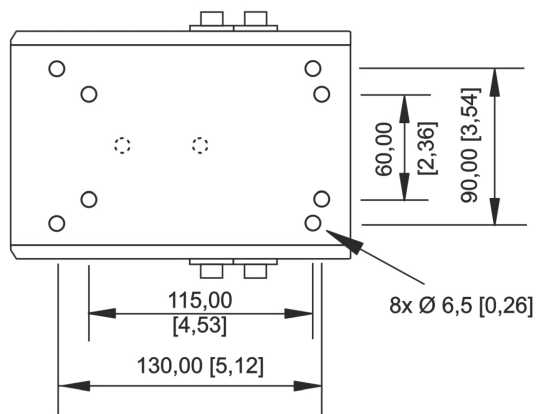
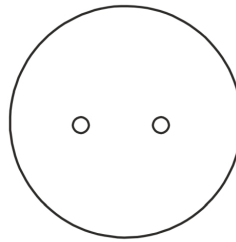
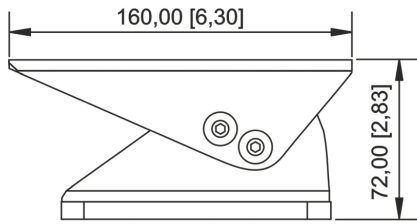
Stainless steel AISI316L pole mounting adapter (top mounting) for mounting EC-932 cameras, even in the harshest and most corrosive environments.

### Technical Data

General	
Version	PMA-EC-932-SSPTM-M
Description	Pole Top mount adapter for EC-932
Mechanical Data	
Type of installation	Pole mounting
Material	Stainless steel 316L (1.4404)
Dimensions (WxHxD)	120 mm x 72 mm x 160 mm
Weight	2.5 kg
Weight	5.51 lb

**Dimensional Drawings (All Dimensions in mm [inches]) – Subject to Alterations**

Distanzstück / spacer



We reserve the right to make alterations to the technical data, dimensions, weights, designs and products available without notice. The illustrations cannot be considered binding.