



## Linear luminaire with LED

Series EXLUX L402/4

## Contents

1	General information .....	3
1.1	Manufacturer .....	3
1.2	Information regarding the operating instructions.....	3
1.3	Further documents.....	3
1.4	Conformity with standards and regulations.....	3
2	Explanation of symbols .....	4
2.1	Symbols used in these operating instructions.....	4
2.2	Warning notes.....	4
2.3	Symbols on the device.....	5
3	Safety information .....	5
3.1	Operating instructions storage .....	5
3.2	Safe use.....	5
3.3	Intended use .....	6
3.4	Modifications and alterations .....	6
4	Function and device design .....	6
4.1	Function .....	6
4.2	Device design .....	7
5	Technical data.....	9
6	Transport and storage.....	13
7	Mounting and installation .....	14
7.1	Dimensions/fastening dimensions .....	14
7.2	Removing protective foil.....	16
7.3	Mounting/dismounting, operating position .....	16
7.4	Installation.....	19
8	Commissioning .....	26
9	Maintenance, overhaul, repair .....	27
9.1	Maintenance and overhaul.....	27
9.2	Repair .....	27
9.3	Returning the device .....	28
10	Cleaning.....	28
11	Disposal .....	28
12	Accessories and spare parts.....	29

# 1 General information

## 1.1 Manufacturer

R. STAHL Schaltgeräte GmbH  
Am Bahnhof 30  
74638 Waldenburg  
Germany

Tel.: +49 7942 943-0  
Fax: +49 7942 943-4333  
Internet: r-stahl.com  
E-mail: info@r-stahl.com

R. STAHL (P) LTD., Plot No. - 5  
Malrosapuram Road, Sengundram Indl. Area  
Singaperumal Koil, Kancheepuram Dist.,  
Tamil Nadu – 603 204, INDIA

Tel.: +91 44-67 300 600  
Fax: +91 44-67 300 700  
Internet: r-stahl.com/en/in  
E-mail: sales@rstahl.net

R. STAHL Schaltgeräte GmbH  
Business Unit Lighting & Signalling  
Nordstr. 10  
99427 Weimar  
Germany

Tel.: +49 3643 4324  
Fax: +49 3643 4221-76  
Internet: r-stahl.com  
E-mail: info@r-stahl.com

## 1.2 Information regarding the operating instructions

ID no.: 290737 / L40260300110  
Publication code: 2024-03-06·BA00·III·en·02

The original instructions are the German edition.  
They are legally binding in all legal affairs.

## 1.3 Further documents

- Data sheet

For documents in other languages, see r-stahl.com.

## 1.4 Conformity with standards and regulations

For certificates and declaration of conformity, see r-stahl.com.

## 2 Explanation of symbols

### 2.1 Symbols used in these operating instructions

Symbol	Meaning
	Tips and recommendations on the use of the device
	General danger
	Danger due to live components



### 2.2 Warning notes

Warning notes must be observed under all circumstances, in order to minimise the risk resulting from design engineering and operation. The warning notes have the following structure:

- Signalling word: DANGER, WARNING, CAUTION, NOTICE
- Type and source of danger/damage
- Consequences of hazard
- Taking countermeasures to avoid the danger or damage

	<b>DANGER</b>
	Danger to persons Non-compliance with the instruction results in severe or fatal injuries to persons.
	<b>WARNING</b>
	Danger to persons Non-compliance with the instruction can result in severe or fatal injuries to persons.
	<b>CAUTION</b>
	Danger to persons Non-compliance with the instruction can result in light injuries to persons.
<b>NOTICE</b>	
Avoiding material damage Non-compliance with these instructions can result in material damage to the device and/or its surroundings.	

## 2.3 Symbols on the device

Symbol	Meaning
 <small>17055E00</small>	CE marking according to current valid directives.
 <small>23486E00</small>	UKCA marking according to the currently applicable directive.

## 3 Safety information

### 3.1 Operating instructions storage

- Carefully read the operating instructions.
- Store the operating instructions at the mounting location of the device.
- Observe applicable documents and operating instructions of the devices to be connected.

### 3.2 Safe use

#### Before installation

- Read and observe the safety notes in these operating instructions!
- Ensure that the contents of these operating instructions are fully understood by the personnel in charge.
- Use the device in accordance with its intended and approved purpose only.
- Always consult R. STAHL Schaltgeräte GmbH if using the device under operating conditions which are not covered by the technical data.
- We cannot be held liable for damage to the device caused by incorrect or unauthorised use or non-compliance with these operating instructions.

#### For mounting and installation

- Observe national mounting and installation regulations.
- Observe national safety and accident prevention regulations.
- During installation and operation, observe the information (characteristic values and rated operating conditions) on the rating, data and information plates located on the device.
- Before installation, make sure that the device is not damaged.

#### Maintenance, repair, commissioning


- Before commissioning, make sure that the device is not damaged.
- Work on the device, such as installation, maintenance, overhaul, repair, may only be carried out by appropriately authorised and trained personnel.
- Only perform the maintenance work and repairs described in these operating instructions.

### 3.3 Intended use

The luminaire is equipment

- for lighting areas, work spaces and objects
- that can be used indoors and outdoors
- for stationary mounting
- for use in the safe area

### 3.4 Modifications and alterations

	No liability or warranty for damage resulting from modifications and alterations.
---	---

## 4 Function and device design

### 4.1 Function

#### Application range

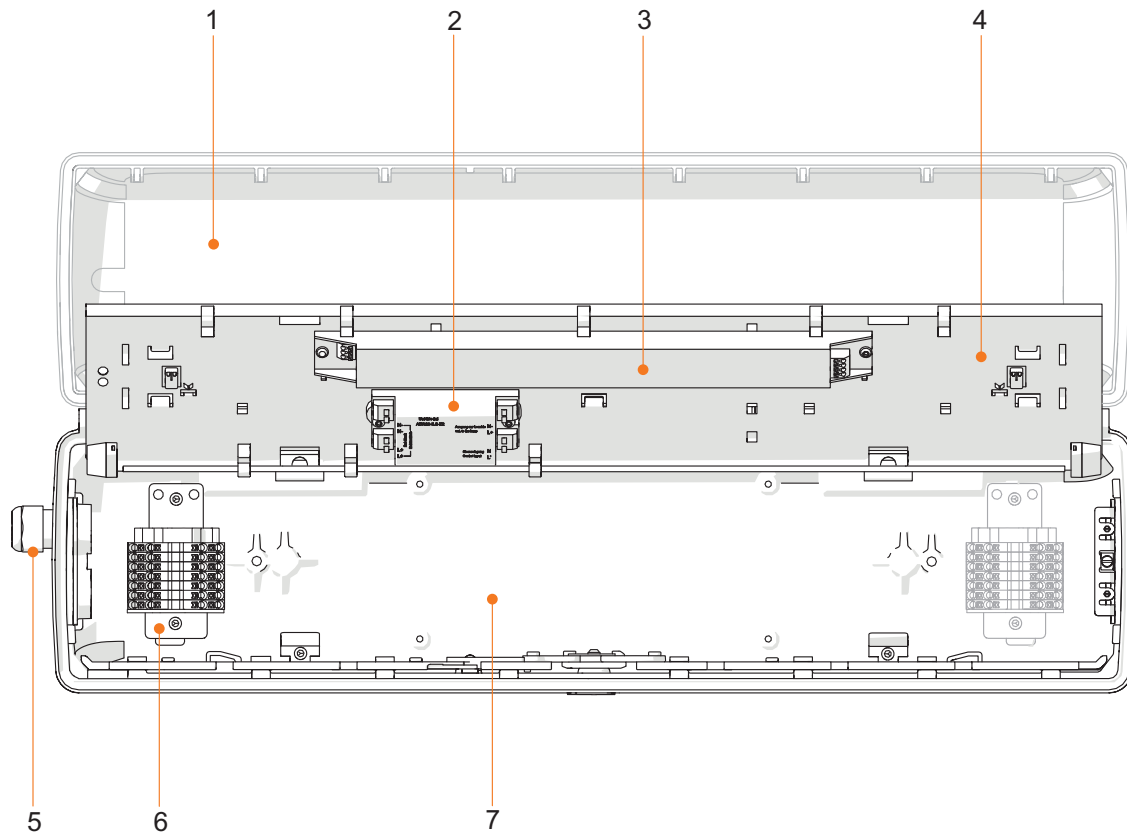
The luminaire L402/4 is equipment used for lighting areas, work equipment and objects. It can be used in harsh environments both indoors and outdoors.

#### Mode of operation

When opened using a central lock, the luminaire switches off automatically (optional). The operating hours can be determined and the luminaire can be dimmed and switched (optional) via a DALI interface.

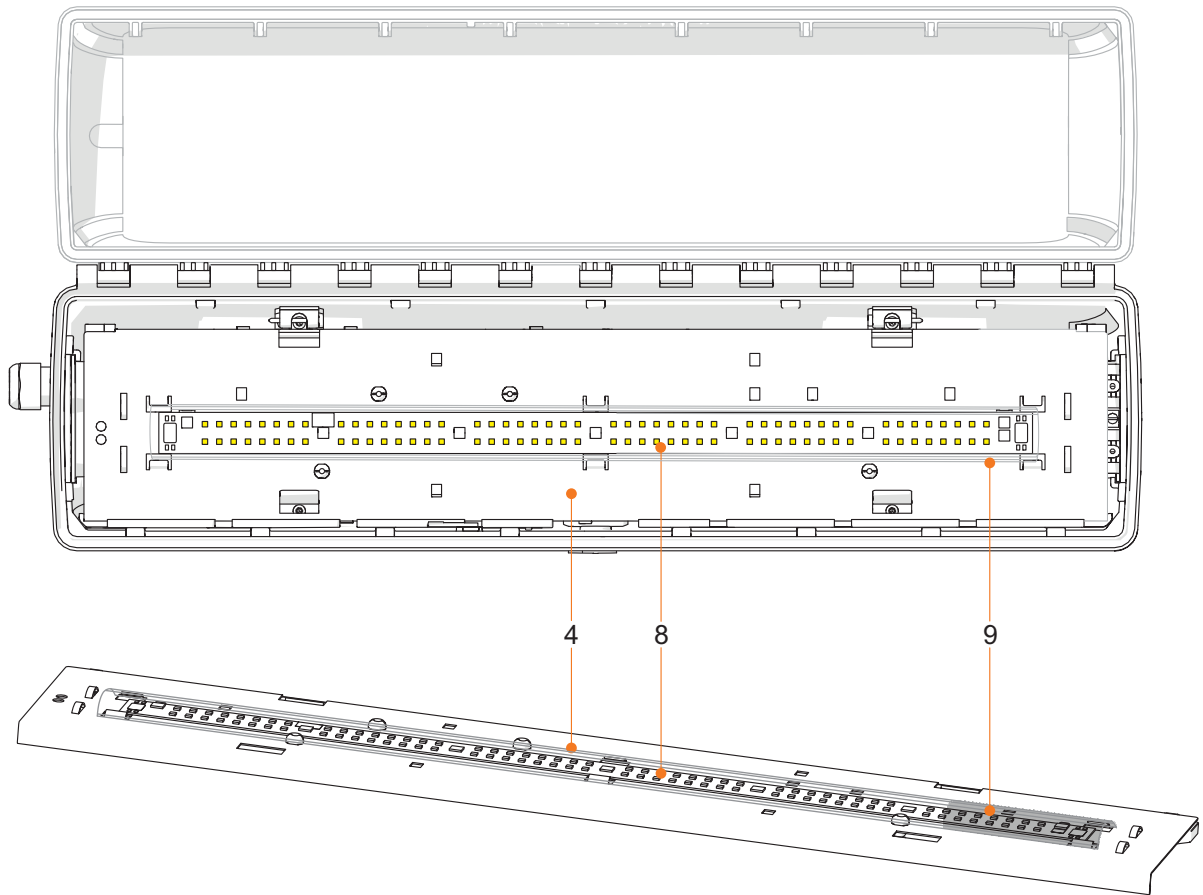
An address module can be used for luminaire control and monitoring with a central battery unit from R. STAHL (optional).

## 4.2 Device design



- |   |                           |   |                         |
|---|---------------------------|---|-------------------------|
| 1 | Translucent cover         | 5 | Cable entry             |
| 2 | Address module (optional) | 6 | Connection terminal     |
| 3 | Control gear              | 7 | Light fitting enclosure |
| 4 | Mounting plate            |   |                         |

20222E00



20223E00

- 4 Mounting plate
- 8 LED PCB

- 9 Diffuser



## 5 Technical data

### Technical data

#### Electrical data

Rated operational voltage	<b>Standard</b>	<b>with address module</b>	<b>DALI</b>	<b>DALI</b>
	<b>Size 2, size 4, size 6</b>	<b>Size 2, size 4, size 6</b>	<b>Size 2, size 4</b>	<b>Size 6</b>
	220 to 240 V AC ±10%, 50 to 60 Hz	220 to 230 V AC ±10%, 50 Hz	100 to 240 V AC ±10%, 50 to 60 Hz	220 to 240 V AC ±10%, 50 to 60 Hz
	196 to 250 V DC ±10%	196 to 250 V DC ±10%	110 to 250 V DC ±10%	196 to 250 V DC ±10%
Rated operational current		<b>Size 2</b>	<b>Size 4</b>	<b>Size 6</b>
	230 V; 50 Hz	100 mA	190 mA	230 mA
	110 V; 60 Hz	185 mA	350 mA	–
Start-up current	<b>Standard/with address module:</b>			
	$I_{\text{peak}} = 32 \text{ A}; \Delta t = 240 \mu\text{s}$			
	Maximum number of luminaires per miniature circuit breaker <sup>1)</sup> :			
	<b>LSS type</b>	<b>10 A</b>	<b>16 A</b>	<b>20 A</b>
	<b>Category B</b>	10	16	20
	<b>Category C</b>	16	26	33
	<b>Category K</b>	33	53	66
	<b>DALI:</b>			
	$I_{\text{peak}} = 54 \text{ A}; \Delta t = 125 \mu\text{s}$			
	Maximum number of luminaires per miniature circuit breaker <sup>1)</sup> :			
	<b>LSS type</b>	<b>10 A</b>	<b>16 A</b>	<b>20 A</b>
	<b>Category B</b>	11	19	23
	<b>Category C</b>	19	31	39
	<b>Category K</b>	39	63	79
	<sup>1)</sup> Typical values for 1-pole miniature circuit breaker at +25 °C and nominal voltage 230 V AC; the exact number depends on the miniature circuit breaker used			
Power factor		<b>Size 2</b>	<b>Size 4</b>	<b>Size 6</b>
	230 V; 50 Hz	≥ 0.88	≥ 0.95	≥ 0.95
	110 V; 60 Hz	≥ 0.97	≥ 0.98	–

**Technical data**

THD	Size 2	Size 4	Size 6
	Standard/ with address module	Standard/ with address module	Standard/ with address module
230 V; 50 Hz	≤ 26%	≤ 18%	≤ 18%
110 V; 60 Hz	–	–	–
Class	I (with internal PE connection)		

**Luminous characteristics**

Colour rendering	R <sub>a</sub> ≥ 80						
Colour temperature	Depending on the variant, 2700 K (warm white), 4000 K (warm neutral white), 5000 K (neutral white), 5700 K (cool white) or 6500 K (daylight white)						
Luminous flux		<b>L402/4.2.</b>		<b>L402/4.4.</b>		<b>L402/4.6.</b>	
	Size	2		4		6	
Power consumption [W]	22		42		50		
Diffuser	with	without	with	without	with	without	
Luminous flux [lm]	2,910	3,230	5,810	6,460	6,960	7,720	
Luminaire efficacy [lm/W]	132	147	138	154	139	154	
	Values apply to T <sub>a</sub> = +25 °C.						
Yellow phosphorus converted	Light colour: yellow						
	Application example: no impact on animals in lighting						
		<b>L402/4.2.</b>		<b>L402/4.4.</b>			
Size	2		4				
Power consumption [W]	19		36				
Diffuser	with	without	with	without			
Luminous flux [lm]	2,180	2,420	4,360	4,840			
Luminaire efficacy [lm/W]	115	127	121	134			
Green	Light colour: green						
	Application example: eyewash stations, safety showers and in the offshore area or near ports						
		<b>L402/4.2.</b>		<b>L402/4.4.</b>			
Size	2		4				
Power consumption [W]	18		35				
Diffuser	with	without	with	without			
Luminous flux [lm]	2,110	2,340	4,240	4,710			
Luminaire efficacy [lm/W]	117	130	121	135			
Red	Light colour: red						
	Application example: offshore area or near ports						
		<b>L402/4..</b>					
Size	4						
Power consumption [W]	26						
Diffuser	with	without					
Luminous flux [lm]	1,540	1,710					
Luminaire efficacy [lm/W]	59	66					

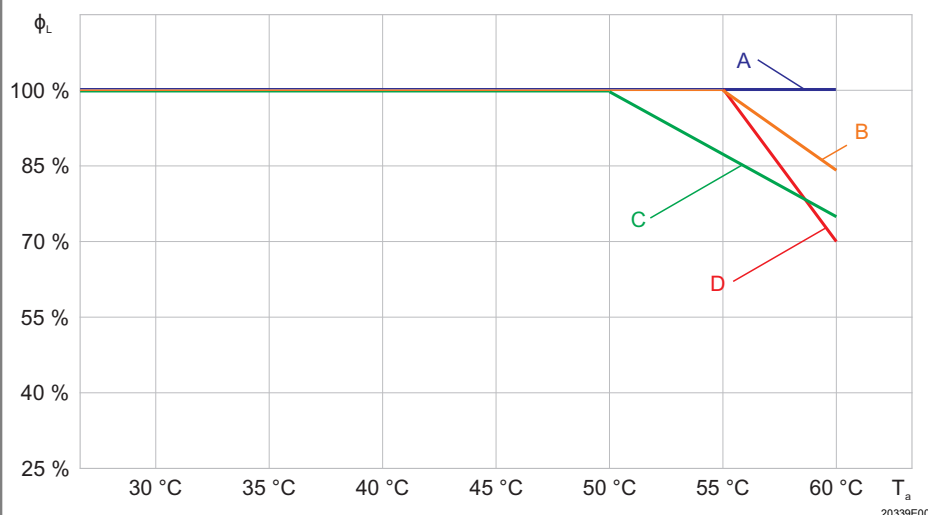
**Technical data**

Energy efficiency class of the light source

The device contains a light source in energy efficiency class C (4000 K, 5000 K, 5700 K, 6500 K) or D (2700 K).  
(according to the Energy Labelling Regulation for light sources)

Luminous flux decline

- during DC operation to 95% (standard/with address module)
- during DC operation to 50% (DALI)
- at ambient temperature (only DALI)



- A: size 2; 110 to 230 V
- B: size 4; 230 V
- C: size 4; 110 V
- D: size 6; 230 V

**Ambient conditions**

Functional ambient temperature range

Standard/ with address module	Standard/ with address module	DALI
<b>Size 2, size 4</b>	<b>Size 6</b>	<b>Size 2, size 4, size 6</b>
-25 to +45 °C	-25 to +40 °C	-40 to +60 °C

Storage temperature

-40 to +75 °C

**Service life**

LED

	White tones, red	Yellow phosphorus converted	Green
$L_{90}B_{50}$	> 100,000 h	> 33,000 h	> 30,000 h

$L_xB_y$

At the end of the service life:

- Luminous flux declines to "x" percent
- up to "y" percent of all luminaires do not reach "x"

LED control gear

	Standard/ with address module	Standard/ with address module	DALI	DALI
	<b>Size 2, size 4</b>	<b>Size 6</b>	<b>Size 2, size 4</b>	<b>Size 6</b>
C10 = 100,000 h	≤ 35 °C	≤ 25 °C	≤ 60 °C	≤ 50 °C
C10 = 50,000 h	≤ 45 °C	≤ 40 °C	≤ 60 °C	≤ 60 °C

**Technical data**

**Mechanical data**

Degree of protection	Size 2, size 4: IP66/IP67 (IEC 60598) Size 6: IP66 (IEC 60598) Size 2, size 4, size 6: IP64 if a breather is used
Impact strength (IK code)	IK10 (IEC 62262)
Vibration resistance	harsh operation (IEC 60598)
Material	
Enclosure	Polyester resin, glass fibre reinforced
Enclosure colours	Grey colour, similar to RAL 7035
Translucent cover	Polycarbonate
Seal	Silicone seal, foamed into the translucent cover
Lamp locking	Central lock for M8 / A/F 13 box spanner; the translucent cover can be swivelled on its hinge

**Mounting/installation**

Cable entries	Standard luminaire
Openings	Standard Connection side, 2 drilled holes for M25 (for loop in/loop out wiring) Output side, 1 drilled hole for M25 (for through wiring of the connection line) optional max. 4 drilled holes for M20, M25, NPSM 1/2" or max. 2 drilled holes for NPT 3/4"
Threaded plate	Standard 2 x plastic M25 x 1.5 optional 2 x metal M25 x 1.5 or M20 x 1.5 connected by means of PE for metal cable entries Seawater-resistant version on request Attention: cable entries must be ordered separately
Accessories	Standard Plastic, 2 x M25 x 1.5 cable entries 8161 and 2 x M25 x 1.5 stopping plugs 8290 (included) optional Metal cable glands: M20 x 1.5, M25 x 1.5; earthing of metal cable entries via metal plates (further cable entries possible on request)
Connection	Spring clamp terminals for max. 16 A Standard: 5-pole: L1, L2, L3, N, PE with address module: 5-pole: L+, N-, PE, L', N' with DALI: 7-pole: L1, L2, L3, N, PE, D1, D2 Clamping range: 1 x 1.5 to 4 mm <sup>2</sup> (finely stranded) 1 x 1.5 to 6 mm <sup>2</sup> (solid and finely stranded with core end sleeve) (2 free clamping units per pole available)

**Technical data**

Through wiring	Standard optional	without with Luminaires are equipped with internal through wiring. 2.5 mm <sup>2</sup> for max. 16 A
Mounting	Standard optional	2 x M8 insert nuts in the enclosure Mounting grooves in the enclosure for use of mounting and top rails for variable luminaire mounting (variable mounting distances for luminaires Size 2: 320 to 480 mm; Size 4, size 6: 670 to 930 mm)
<b>Optional</b>		
DALI connection	DALI interface in accordance with IEC 62386-207:2018-04 The maximum permitted voltage drop on the DALI conductor is defined with a maximum of 2 V. This corresponds to a maximum conductor length of 300 m, with a conductor cross-section of 1.5 mm <sup>2</sup> .	
Address module	<b>Control input:</b> Rated voltage: 220 to 230 V 50 Hz AC/DC <b>Function:</b> Address and switching module for R. STAHL emergency lighting systems according to VDE 0108: The module is used for monitoring individual luminaires and for the control of mains and emergency luminaires. The module offers the following functions: <ul style="list-style-type: none"> <li>• Control of the luminaire (ON/OFF) and calling up the function</li> <li>• Up to 20 addresses can be configured for each electrical circuit by means of a coding switch and/or software</li> <li>• The type of connection (continuous light, stand-by light or switched light) of the luminaire is freely programmable</li> <li>• Mixed operation within a circuit is possible</li> </ul>	
Breather	Breather 8162/1 from R.STAHL Schaltgeräte GmbH The breather guarantees compliance with degree of protection IP64 in all mounting positions. The breather may not be used in atmospheres with corrosive gases.	

For further technical data, see [r-stahl.com](http://r-stahl.com).

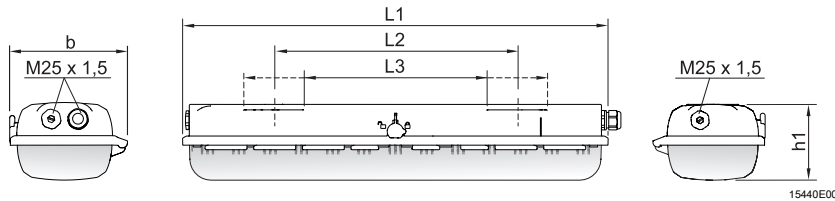
## 6 Transport and storage

- Transport and store the device only in the original packaging.
- Store the device in a dry place (no condensation) free of vibrations.
- Do not drop the device.

## 7 Mounting and installation

### 7.1 Dimensions/fastening dimensions

Dimensional drawings (all dimensions in mm [inch]) – Subject to modifications



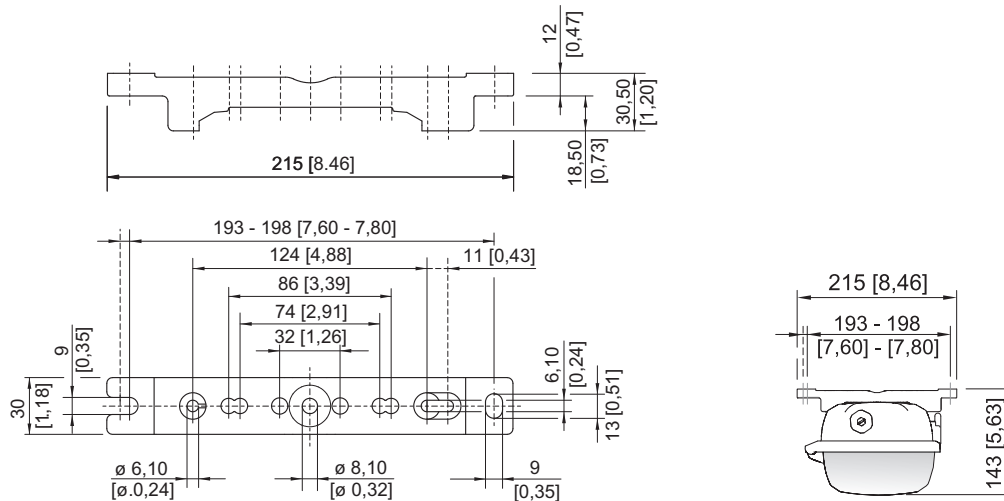
Dimensions	Light fitting		
	Size 2	Size 4	Size 6
L1	700 [27.56]	1310 [51.57]	1610 [63.39]
L2 <sup>1)</sup>	400 [15.75]	800 [31.50]	800 [31.50]
L3 <sup>2)</sup>	320 to 480 [12.60 to 18.90]	670 to 930 [26.38 to 36.61]	670 to 930 [26.38 to 36.61]
b	184 [7.24]	184 [7.24]	184 [7.24]
h1	125 [4.92]	125 [4.92]	125 [4.92]

<sup>1)</sup> fixed mounting distance

<sup>2)</sup> variable mounting distance

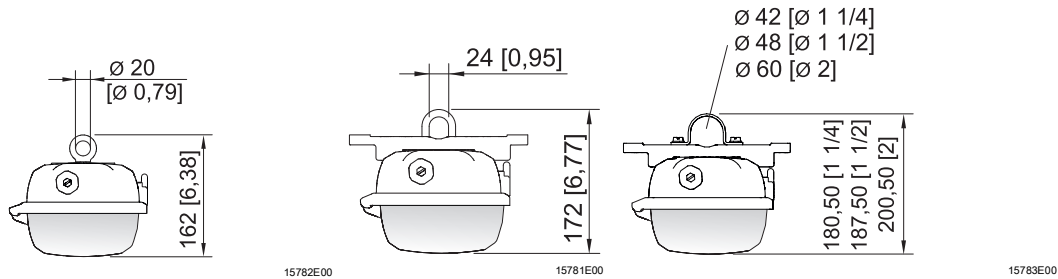
### EXLUX L402/4 standard luminaire

Dimensional drawings for assembly parts and accessories (all dimensions in mm [inch]) – Subject to modifications



### Mounting rail

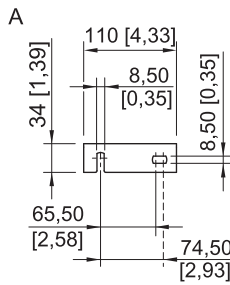
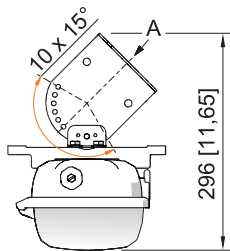
**Dimensional drawings for assembly parts and accessories**  
(all dimensions in mm [inch]) – Subject to modifications



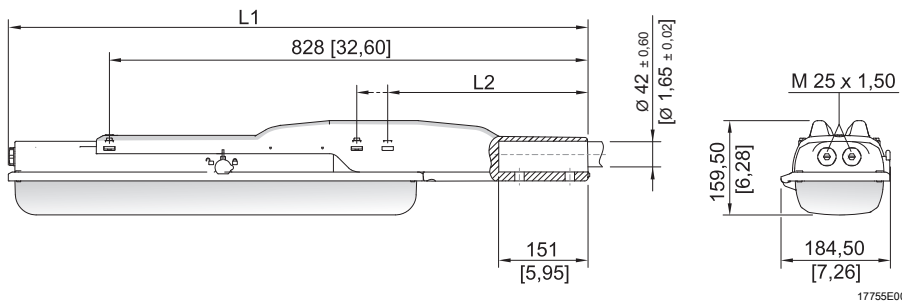
**Ring bolt installed in insert nut of the luminaire**

**Mounting bracket fitted in mounting rail**

**Pipe clamp installed in mounting rail**



**Wall mounting bracket installed in mounting rail**



Dimensions	Light fitting	
	Size 2	Size 4
L1	978 [38.50]	1587 [62.48]
L2	390 [15.35]	338 [13.31]

**Linear luminaire EXLUX with pole mounting sleeve**

## 7.2 Removing protective foil

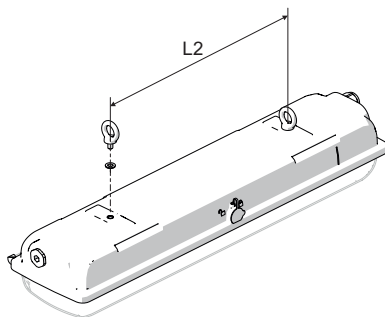
As standard, the luminaire is generally delivered with protective foil on the translucent cover. However, in some cases, it can be delivered without protective foil.

- If protective foil is present:  
Remove the protective foil before commissioning.

## 7.3 Mounting/dismounting, operating position

<b>i</b>	<p>The luminaire is suitable for wall and ceiling mounting. In event of wall mounting in outdoor areas, avoid installation with central lock at top. The mounting position with light emission upwards is prohibited in outdoor areas.</p>
----------	--

### Suspension at fixed mounting points

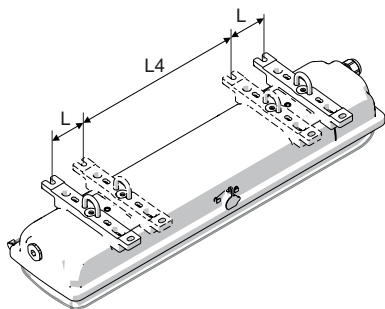


15446E00

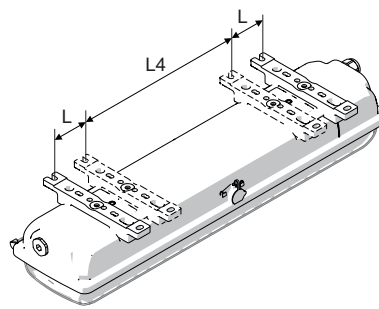
Size	L2 mm [inch]
2	400 [15.75]
4	800 [31.50]
6	800 [31.50]

max. screw-in depth 10 mm [0.39]

### Suspension on movable assembly parts



15442E00



15447E00

Mounting bracket

Top rail

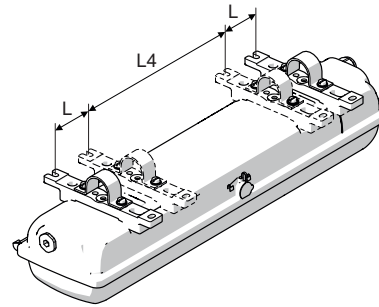
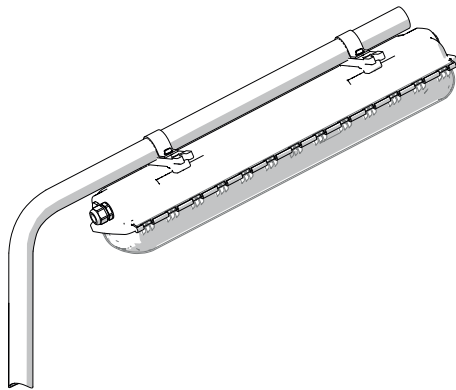
Size	L4 mm [inch]	L mm [inch]
2	320 [12.60]	80 [3.15]
4	670 [26.38]	130 [5.12]
6	670 [26.38]	130 [5.12]

Lateral mounting pockets for variable points of suspension.



**i** When mounting the luminaire using top rails, ensure that the mounting surface is flat. Otherwise, the enclosure might be mounted in a warped/twisted way. The result is leakage of the luminaire and difficulties in replacing the translucent cover.

**Pole suspension  
Pole mounting using pipe clamps**



15443E00

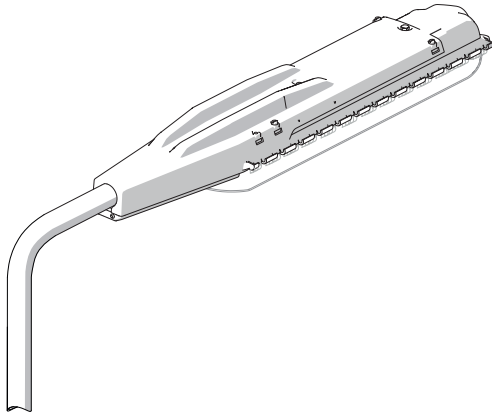
15445E00

Size	L4 mm [inch]	L mm [inch]
2	320 [12.60]	80 [3.15]
4	670 [26.38]	130 [5.12]
6	670 [26.38]	130 [5.12]

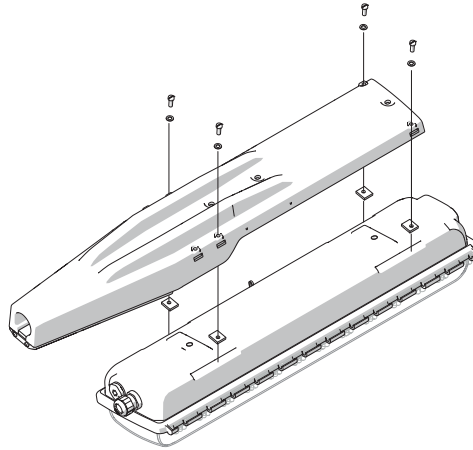
**i** For pipe clamp mounting, use the solution from R. STAHL Schaltgeräte GmbH with integrated mounting rail providing reliable and stable four-point fixing!  
In case of point suspension using pipe clamps, R. STAHL Schaltgeräte GmbH does not guarantee the strength and tightness of the luminaire!

**Pole mounting using pole mounting sleeve**

<b>i</b>	Only for size 2 and size 4
----------	----------------------------

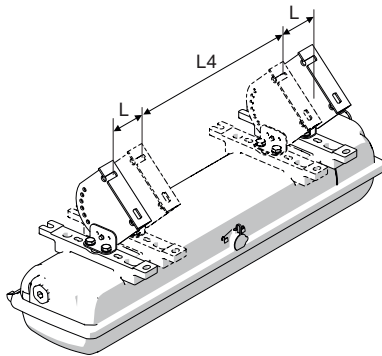


17761E00

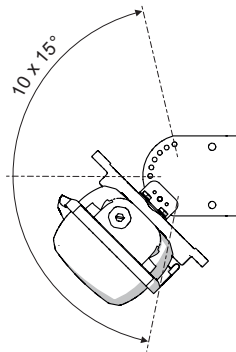


17762E00

**Wall bracket mounting**



15519E00



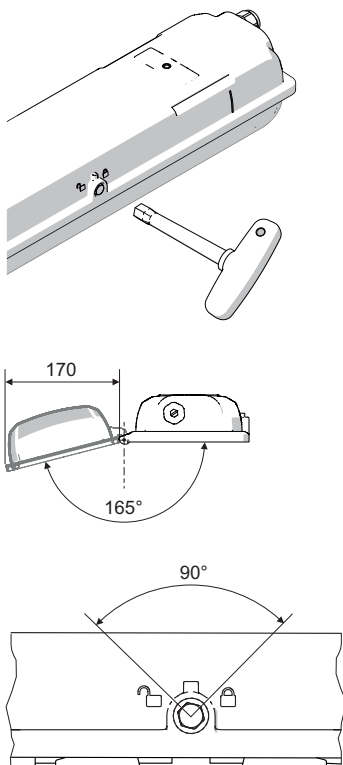


15517E00

Size	L4 mm [inch]	L mm [inch]
2	320 [12.60]	80 [3.15]
4	670 [26.38]	130 [5.12]
6	670 [26.38]	130 [5.12]

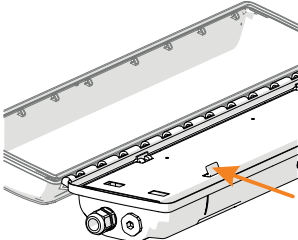
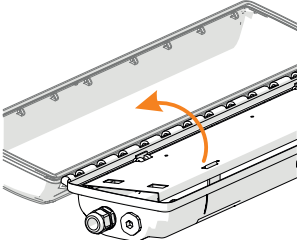
## 7.4 Installation

### 7.4.1 Opening and closing the enclosure

	<p style="text-align: center;"><b>DANGER</b></p> <p>Risk of electric shock due to improper opening! Non-compliance results in severe or fatal injuries.</p> <ul style="list-style-type: none"> <li>• Open luminaires without switches only in de-energised state (see information plate on the lock)!</li> </ul>
<p style="text-align: center;"><b>NOTICE</b></p> <p>Danger due to electrostatic discharge. Electronic components can be destroyed if touched.</p> <ul style="list-style-type: none"> <li>• Do not touch the LED PCBs!</li> </ul>	
	<p><b>Recommendation</b></p> <p>Open and close the luminaire using the box spanner from R. STAHL Schaltgeräte GmbH.</p>
 <p>15448E00</p> <p>15451E00</p> <p>15436E00</p>	<ul style="list-style-type: none"> <li>• Remove the closing cap of the central lock.</li> <li>• Turn the central lock using a box spanner M8, spanner size 13, by 90° to the left as far as it will go.</li> <li>• Swivel down the translucent cover.</li> <li>• Proceed in reverse order to close.</li> <li>• The seal of the translucent cover must lie correctly on the sealing edge.</li> <li>• Push the closing cap onto the central lock opening (protection against dirt).</li> </ul>

<p><b>i</b></p>	<p>Observe the following during mounting and dismantling:</p> <ul style="list-style-type: none"> <li>• Version without switch: Disconnect the luminaire from the power supply and secure it against being switched on again.</li> <li>• Do not use force when opening or closing the enclosure!</li> </ul> <p>Central lock</p> <ul style="list-style-type: none"> <li>• Version with switch: The luminaire is positively disconnected from the power supply by actuating the central lock.</li> <li>• In open end position and with translucent cover swivelled down, an anti-pumping device prevents the central lock from being actuated.</li> </ul>
-----------------	--

**Opening and closing the reflector plate**

 <p>1</p>	 <p>2</p>	<p>Opening:</p> <ul style="list-style-type: none"> <li>• Open the reflector plate</li> <li>• by pressing down on the safety latch (1).</li> <li>• Swivel down the reflector plate (2).</li> </ul> <p>Closing:</p> <ul style="list-style-type: none"> <li>• Flip up the reflector plate and snap it into place.</li> </ul>
--	--	---

## 7.4.2 Electrical connections

### Mains connection

Observe the maximum clamping possibility of the connection terminals (see chapter "Technical data").

Observe the following when connecting to the mains connection:

- Clamping must be carried out precisely!
- Do not clamp any part of the conductor insulation!
- Do not mix up the conductors.
- Observe the technical regulations when connecting the conductor.
- Clamp the conductor firmly.

### Connection terminals

#### Clamping range:

1 x 1.5 to 4 mm<sup>2</sup> (finely stranded)

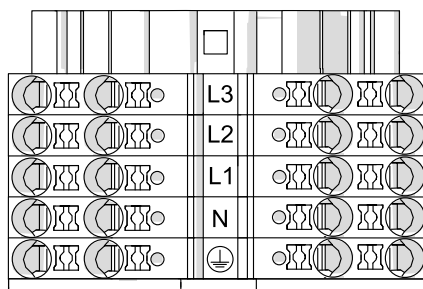
1 x 1.5 to 6 mm<sup>2</sup> (solid and finely stranded with core end sleeve)


(2 free clamping units per pole available)

#### Stripping length:

10 to 12 mm

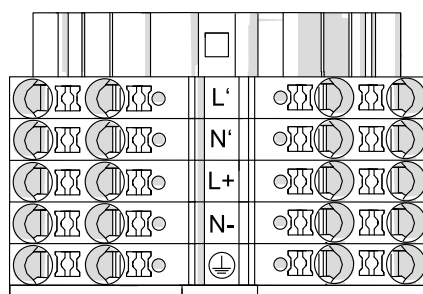
#### Standard:




- L1, L2, L3 = phase  
 N = neutral conductor  
 = protective conductor

20219E00

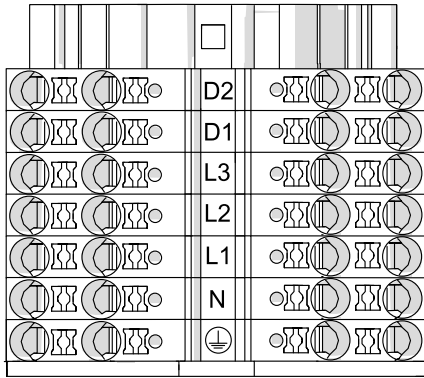
#### with address module:




- L', N' = control input  
 L+, N- = final electrical circuit  
 = protective conductor

20220E00

with DALI connection:

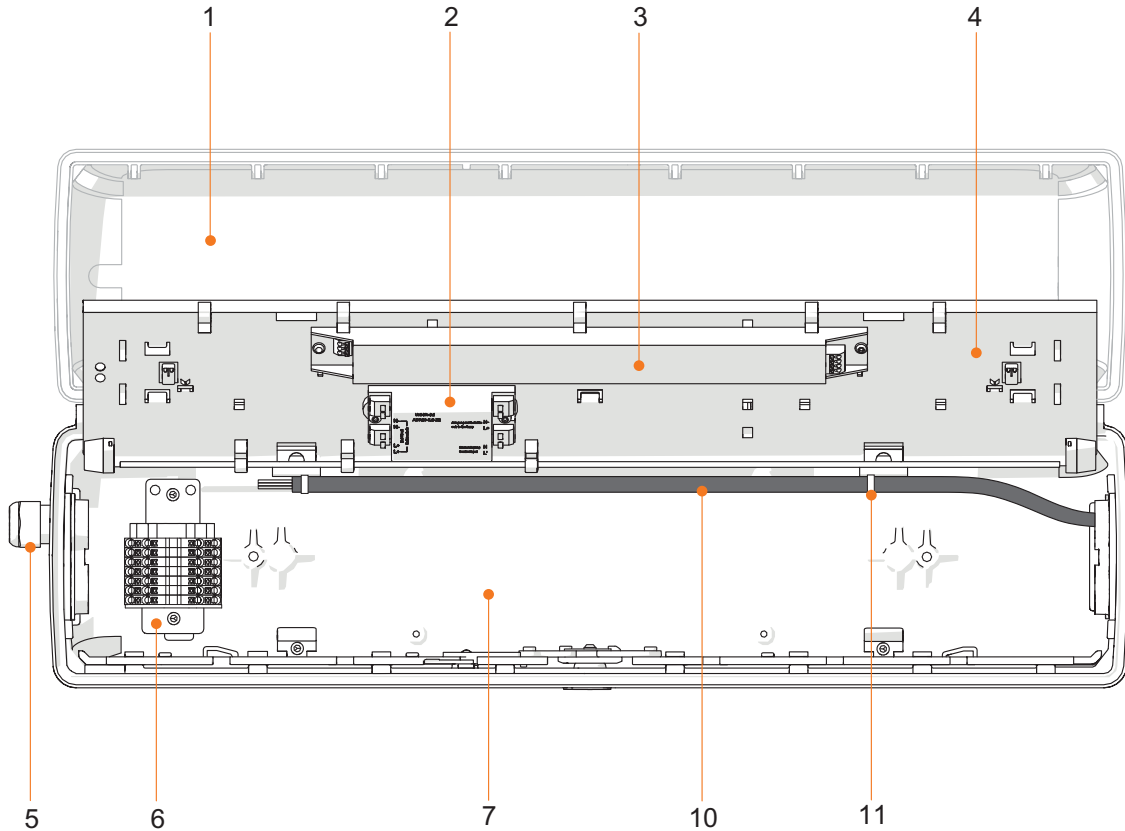


D1, D2 = DALI connection  
 L1, L2, L3 = phase  
 N = neutral conductor  
 = protective conductor

20221E00

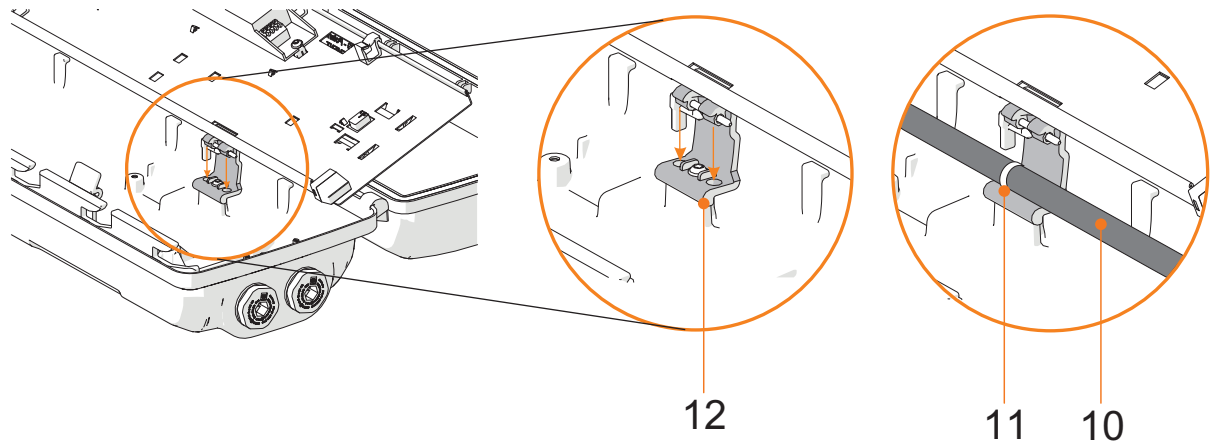
Conductor routing for through wiring by the customer

**i** Through wiring with 1.5 mm<sup>2</sup> Cross-section for max. 10 A.  
 Through wiring with 2.5 mm<sup>2</sup> Cross-section for max. 16 A.



22525E00

- |   |                           |    |                         |
|---|---------------------------|----|-------------------------|
| 1 | Translucent cover         | 6  | Connection terminal     |
| 2 | Address module (optional) | 7  | Light fitting enclosure |
| 3 | Control gear              | 10 | Conductor               |
| 4 | Mounting plate            | 11 | Cable tie               |
| 5 | Cable entry               |    |                         |



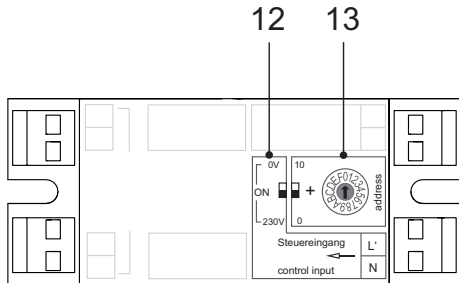
22526E00

- 10 Conductor
- 11 Cable tie
- 12 Hinge

- Mount the conductors at a suitable position, e.g. at the hinges (12) between the enclosure and translucent cover using cable ties (11).

### 7.4.3 Luminaires with address module

**i** Before operating an emergency lighting central battery system, luminaire addressing is to be performed by means of a 4 mm slot screwdriver.



18812E00

- 12 Logic switch
- 13 Address switch

#### Address setting

Address switch (13):

Slide switch 0 / 10	Rotary switch 0 / F	Luminaire address
0	0	0 (invalid)
0	1	1
0	2	2
to	to	to
0	9	9
0	A	10
10	0	10
10	1	11
to	to	to
10	9	19
10	A	20
10	B to E	invalid
10	F	Addressing via software



**Control input (L', N'):**

The address module provides the opportunity to connect a control line for switching the luminaire together with the general lighting.

**Logic switch (12):**

Slide switch 0 V / 230 V	Function
0 V	negative logic
230 V	positive logic

**Switching options:**

positive logic (230 V)	negative logic (0 V)
<p>switched light to switch on the luminaire together with other luminaires</p> <p style="text-align: right;"><small>19025E00</small></p>	<p>switched light to switch on the luminaire in case of power failure</p> <p style="text-align: right;"><small>19026E00</small></p>

L, N Power supply network  
 FZB Battery system  
 S General lighting switch

10 Control line  
 14 Emergency lighting  
 15 General lighting

#### 7.4.4 Cable entries

The standard luminaire is delivered with 3 entries, 2 cable entries and 2 stopping plugs.

#### Tightening torques for components from R. STAHL Schaltgeräte GmbH

Luminaires with installed cable entries and stopping plugs from

R. STAHL Schaltgeräte GmbH must be tightened using the following values:

		Tightening torque	
		Connection thread	Pressure screw
Cable entry 8161	M20 x 1.5	2.3 Nm	1.5 Nm
	M25 x 1.5	3.0 Nm	2.0 Nm
Sealing plugs 8290	M20 x 1.5	1.0 Nm	–
	M25 x 1.5	1.5 Nm	–

#### Luminaires with cable entries and stopping plugs which are not supplied by R. STAHL Schaltgeräte GmbH

Please observe the following:

- the required dust resistance!
- the required temperature resistance!
- the IP degree of protection according to the label on the device!
- the operating instructions of the cable entries and stopping plugs!
- the required tightening torques!
- the range of the permissible cable diameter!

## 8 Commissioning

### NOTICE

Malfunction or device damage caused by condensation.

Non-compliance may lead to material damage!


- operate the luminaire continuously or periodically over extended periods of time.
- Avoid thermal bridges, use suitable installation accessories.

Before commissioning, ensure the following:

- Monitor the mounting and installation.
- Check the device for damage.
- Remove any foreign objects.
- If necessary, clean the connection chamber.
- Monitor if the electrical lines have been inserted correctly.
- Monitor whether all screws and nuts have been tightened securely.
- Monitor whether all drilled holes are closed.
- Monitor if all cable entries and stopping plugs have been tightened securely.


- Monitor if all conductors have been clamped firmly.
- Monitor whether the line voltage and the rated operational voltage are consistent.
- Monitor whether the permissible conductor diameter for the corresponding cable entries have been used.
- Monitor whether the device is closed according to regulations.
- Monitor whether the LED assembly and the diffuser are clean.
- Check that there is no protective foil on the translucent cover.

## 9 Maintenance, overhaul, repair

	<b>CAUTION</b>
	<p>Risk of electric shock or malfunction of the device due to unauthorized work! Non-compliance can result in light injuries!</p> <ul style="list-style-type: none"> <li>• Before carrying out work on the device, switch off voltage supply.</li> <li>• Work performed on the device must only be carried out by authorised and appropriately trained qualified electricians.</li> </ul>

### 9.1 Maintenance and overhaul

- Consult the relevant national regulations to determine the type and extent of inspections.
- Tailor inspection intervals to the operating conditions.

	Observe the relevant national regulations in the country of use.
---	--

During maintenance/overhaul of the device, the following points must be checked:

- Whether the conductors are clamped securely
- Whether the device has cracks or other visible signs of damage
- Whether the seal shows signs of ageing or damage (completely replace enclosure components with damaged foamed seal)
- Whether the device is clean inside and out
- Whether the cable entry is intact and securely tightened
- Whether the cables and electrical lines show signs of ageing and damage
- Whether the device is used as intended and functions properly

### 9.2 Repair

Repairs carried out on the mounting plate are not permitted. Replace the mounting plate completely in case of error.

### 9.3 Returning the device

- Only return or package the devices after consulting R. STAHL!  
Contact the responsible representative from R. STAHL.

R. STAHL's customer service is available to handle returns if repair or service is required.

- Contact customer service personally.

or

- Go to the [r-stahl.com](http://r-stahl.com) website.
- Under "Support" > "RMA" > select "RMA-REQUEST".
- Fill out the form and send it.  
You will automatically receive an RMA form via email.  
Please print this file off.
- Send the device along with the RMA form in the packaging to  
R. STAHL Schaltgeräte GmbH (refer to chapter 1.1 for the address).

## 10 Cleaning

- Clean the device only with a cloth, brush, vacuum cleaner or similar items.
- When cleaning with a damp cloth, use water or mild, non-abrasive, non-scratching cleaning agents.
- Do not use abrasive cleaning agents or solvents.

## 11 Disposal

- Observe national, local and statutory regulations regarding disposal.
- Separate materials for recycling.
- Ensure environmentally friendly disposal of all components according to statutory regulations.
- Removal of components at the end of their service life:
  - Remove and open luminaires according to the operating instructions.
  - Disconnect cables from the LED PCB and control gear.
  - Control gear: Loosen the mounting screws and remove the device.
  - LED PCB: Push the barbs on the underside together using suitable pliers and remove the PCB upwards.

## 12 Accessories and spare parts

### NOTICE

Malfunction or damage to the device due to the use of non-original components.  
Non-compliance may lead to material damage!

- Use only original accessories and spare parts from R. STAHL Schaltgeräte GmbH.



For accessories and spare parts, see the data sheet on our homepage [r-stahl.com](http://r-stahl.com).

**EU-Konformitätserklärung**  
*EU Declaration of Conformity*  
*Déclaration de Conformité UE*



**R. STAHL Schaltgeräte GmbH • Am Bahnhof 30 • 74638 Waldenburg, Germany**  
 erklärt in alleiniger Verantwortung, *declares in its sole responsibility, déclare sous sa seule responsabilité,*

dass das Produkt: **LED Langfeldleuchte**  
*that the product: LED Linear Luminaire*  
*que le produit: LED Luminaire Linéaire*

Typ(en), type(s), type(s): **L402/4...**

mit den Anforderungen der folgenden Richtlinien und Normen übereinstimmt.  
*is in conformity with the requirements of the following directives and standards.*  
*est conforme aux exigences des directives et des normes suivantes.*

Richtlinie(n) / Directive(s) / Directive(s)		Norm(en) / Standard(s) / Norme(s)
<b>2014/35/EU</b> 2014/35/EU: 2014/35/UE:	<b>Niederspannungsrichtlinie</b> <i>Low Voltage Directive</i> <i>Directive Basse Tension</i>	EN 60598-1:2015 + A1:2018 EN 60598-2-22:2014 + A1:2020 EN 62471:2008
<b>2014/30/EU</b> 2014/30/EU 2014/30/UE	<b>EMV-Richtlinie</b> <i>EMC Directive</i> <i>Directive CEM</i>	EN IEC 55015:2019 + A11:2020 EN 61547:2009 EN 61000-3-2:2014 EN 61000-3-3:2013
<b>2011/65/EU</b> 2011/65/EU 2011/65/UE	<b>RoHS-Richtlinie</b> <i>RoHS Directive</i> <i>Directive RoHS</i>	EN IEC 63000:2018
<b>2009/125/EG</b> 2009/125/EC 2009/125/CE	<b>Ökodesign</b> <i>Ecodesign</i> <i>Écoconception</i>	EU 2019/2020 EU 2021/341

Waldenburg, 2021-11-05

**Ort und Datum**  
*Place and date*  
*Lieu et date*

i.V.

**Dr. C. Chevalier**  
*Vice President BU Lighting & Signalling*  
*Vice-Président BU Éclairage & Appareils de signalisation*

i.V.

**J. Freimüller**  
*Vice President global Quality Management*  
*Vice-Président globale Gestion de Qualité*

# UK Declaration of Conformity

## UK-Konformitätserklärung



**R. STAHL Schaltgeräte GmbH • Am Bahnhof 30 • 74638 Waldenburg, Germany**

represented locally by, lokal vertreten durch

**R. STAHL LTD. • 2nd Floor, Bromwich Court, Gorse Lane, Coleshill • Birmingham B46 1JU, UK**  
declares in its sole responsibility, erklärt in alleiniger Verantwortung,

that the product: **LED Linear Luminaire**  
dass das Produkt: **LED Langfeldleuchte**

Type(s), Typ(en): **L402/4...**

is in conformity with the requirements of the following regulations and standards.  
mit den Anforderungen der folgenden Verordnungen und Normen übereinstimmt.

Regulation(s) / Verordnung(en)	Standard(s) / Norm(en)
<b>S.I. 2016/1101 Electrical Equipment (Safety) Regulation</b> S.I. 2016/1101 (Sicherheits-) Verordnung für elektronische Geräte	EN 60598-1:2015 + A1:2018 EN 60598-2-22:2014 + A1:2020 EN 62471:2008
<b>S.I. 2016/1091 EMC Regulations</b> S.I. 2016/1091 EMV-Verordnung	EN IEC 55015:2019 + A11:2020 EN 61547:2009 EN 61000-3-2:2014 EN 61000-3-3:2013
<b>S.I. 2012/3032 RoHS Regulations</b> S.I. 2012/3032 RoHS-Verordnung	EN IEC 63000:2018
<b>S.I. 2010/2617 Ecodesign</b> S.I. 2010/2617 Ökodesign	UK 2021/1095

Waldenburg, 2022-12-07

Place and date  
Ort und Datum

i.V.

  
**S. Holtz**  
**Head of R&D - BU Lighting & Signalling**  
Leiter Entwicklung Leuchten und Signalgerät

i.V.

  
**D. Groth**  
**Quality Manager**  
Qualitätsmanager