



Linear Luminaire with LED

Series EXLUX L402/4

Contents

1	General Information	3
1.1	Manufacturer	3
1.2	Information regarding the operating instructions	3
1.3	Further documents	3
1.4	Conformity with standards and regulations	3
2	Explanation of the symbols	4
2.1	Symbols in these operating instructions	4
2.2	Warning notes	4
2.3	Symbols on the device	5
3	Safety notes	5
3.1	Operating instructions storage	5
3.2	Safe use	5
3.3	Intended Use	6
3.4	Modifications and alterations	6
4	Function and device design	6
4.1	Function	6
4.2	Device design	7
5	Technical data	9
6	Transport and storage	12
7	Mounting and installation	13
7.1	Dimensions / fastening dimensions	13
7.2	Removing protective foil	15
7.3	Mounting / dismounting, operating position	15
7.4	Installation	18
8	Commissioning	23
9	Maintenance, Overhaul, Repair	24
9.1	Maintenance	24
9.2	Repair	24
9.3	Returning the device	25
10	Cleaning	25
11	Disposal	25
12	Accessories and Spare parts	26

1 General Information

1.1 Manufacturer

R. STAHL Schaltgeräte GmbH
Am Bahnhof 30
74638 Waldenburg
Germany

Phone: +49 7942 943-0
Fax: +49 7942 943-4333
Internet: r-stahl.com
E-mail: info@r-stahl.com

R. STAHL (P) LTD., Plot No. - 5
Malrosapuram Road, Sengundram Indl. Area
Singaperumal Koil, Kancheepuram Dist.,
Tamil Nadu – 603 204, INDIA

Phone: +91 44-67 300 600
Fax: +91 44-67 300 700
Internet: r-stahl.com/en/in
E-mail: sales@rstahl.net

R. STAHL Schaltgeräte GmbH
Business Unit Lighting & Signalling
Nordstr. 10
99427 Weimar
Germany

Phone: +49 3643 4324
Fax: +49 3643 4221-76
Internet: r-stahl.com
E-mail: info@r-stahl.com

1.2 Information regarding the operating instructions

ID-No.: 271054 / L40260300040
Publication Code: 2022-12-06-BA00-III-en-03

The original instructions are the English edition.
They are legally binding in all legal affairs.

1.3 Further documents

- Data sheet

For documents in additional languages, see r-stahl.com.

1.4 Conformity with standards and regulations

EU Declaration of Conformity and further national certificates can be downloaded via the following link: <https://r-stahl.com/en/global/support/downloads/>

2 Explanation of the symbols

2.1 Symbols in these operating instructions

Symbol	Meaning
	Tips and recommendations on the use of the device
	General danger
	Danger due to energised parts



2.2 Warning notes

Warnings must be observed under all circumstances, in order to minimize the risk due to construction and operation. The warning notes have the following structure:

- Signalling word: DANGER, WARNING, CAUTION, NOTICE
- Type and source of danger/damage
- Consequences of danger
- Taking countermeasures to avoid the danger or damage

	DANGER
	Danger to persons Non-compliance with the instruction results in severe or fatal injuries to persons.
	WARNING
	Danger to persons Non-compliance with the instruction can result in severe or fatal injuries to persons.
	CAUTION
	Danger to persons Non-compliance with the instruction can result in light injuries to persons.
NOTICE	
Avoiding material damage Non-compliance with the instruction can result in material damage to the device and / or its environment.	

2.3 Symbols on the device

Symbol	Meaning
 <small>17055E00</small>	CE marking according to the current applicable directives.
 <small>23486E00</small>	UKCA marking according to the currently applicable directive.

3 Safety notes

3.1 Operating instructions storage

- Read the operating instructions carefully.
- Store the operating instructions at the mounting location of the device.
- Observe applicable documents and operating instructions of the devices to be connected.

3.2 Safe use

Before mounting

- Read and observe the safety notes in these operating instructions!
- Ensure that the contents of these operating instructions are fully understood by the personnel in charge.
- Use the device in accordance with its intended and approved purpose only.
- Always consult R. STAHL Schaltgeräte GmbH if using the device under operating conditions which are not covered by the technical data.
- We cannot be held liable for damage to the device caused by incorrect or unauthorised use or non-compliance with these operating instructions.

For assembly and installation

- Observe national assembly and installation regulations.
- Observe national safety and accident prevention regulations.
- During installation and operation, observe the information (characteristic values and rated operating conditions) on the type plates and data plates and information signs located on the device.
- Before installation, make sure that the device is not damaged.

Maintenance, repair, commissioning


- Before commissioning, make sure that the device is not damaged.
- Work on the device, such as installation, maintenance, overhaul, repair, may only be carried out by appropriately authorised and trained personnel.
- Perform only maintenance work or repair described in these operating instructions.

3.3 Intended Use

The luminaire is equipment

- for lighting areas, work spaces and objects
- can be used indoors and outdoors
- for stationary mounting
- for use in the safe area.

3.4 Modifications and alterations

	No liability or warranty for damage resulting from modifications and alterations.
---	---

4 Function and device design

4.1 Function

Application range

The luminaire L402/4 is equipment used for lighting areas, work equipment and objects. It can be used indoors and outdoors.

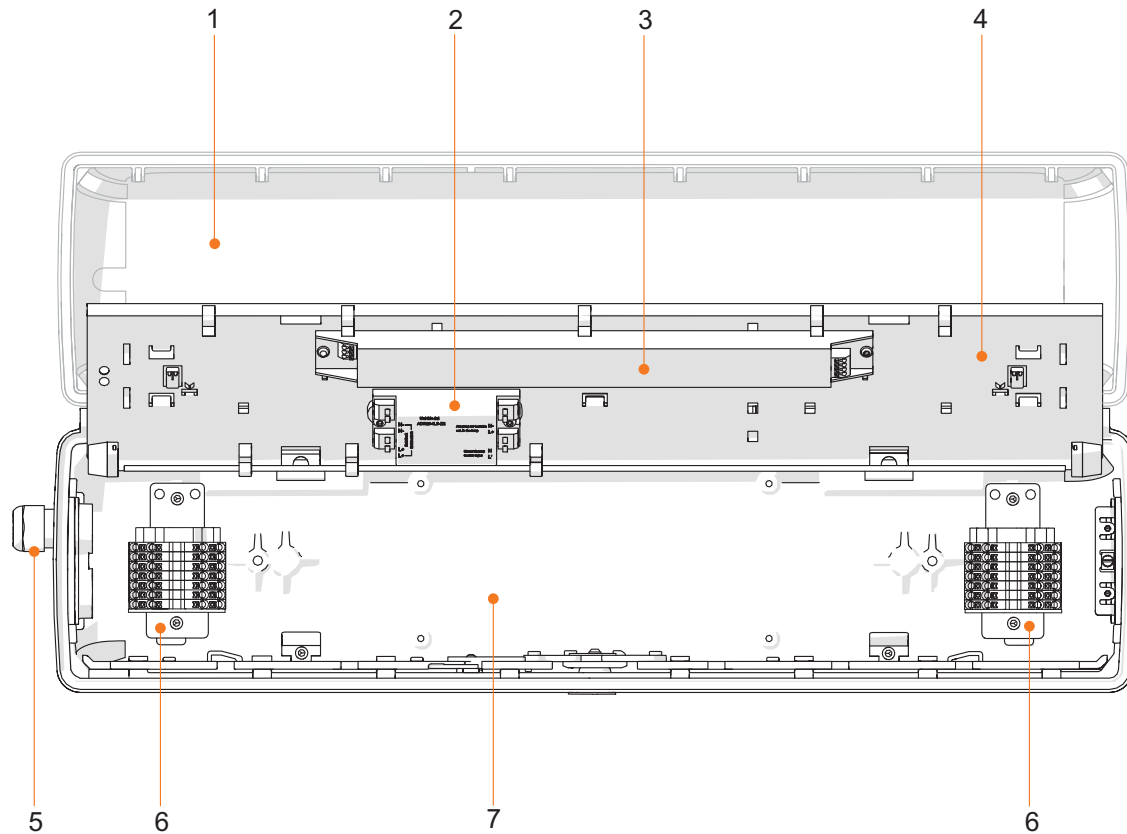
Mode of operation

When opened using a central lock, the luminaire switches off automatically (optional). The operating hours can be determined and the luminaire can be dimmed and switched (optional) via a DALI interface.

An address module can be used for luminaire control and monitoring with a central battery unit from R. STAHL (optional).

4.2 Device design

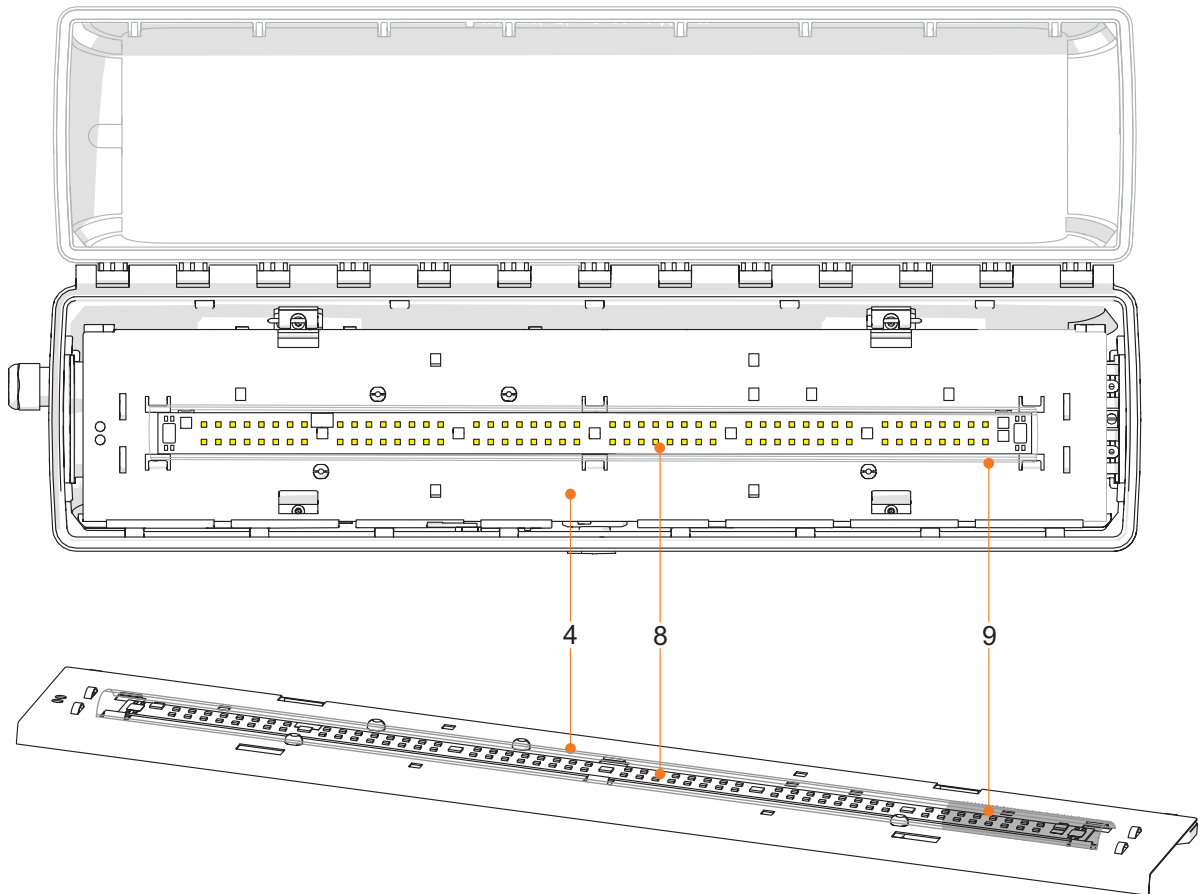
EN



2022E00

- | | | | |
|---|---------------------------|---|---------------------|
| 1 | Translucent cover | 5 | Cable entry |
| 2 | Address module (optional) | 6 | Connection terminal |
| 3 | Control gear | 7 | Luminaire enclosure |
| 4 | Mounting plate | | |

EN



20223E00

- 4 Mounting plate
- 8 LED PCB

- 9 Diffuser

5 Technical data

Technical Data

Electrical data

Rated operational voltage	Standard + DALI Size 2, Size 4	with address module Size 2, Size 4	Standard + DALI Size 6		
	100 to 240 V AC $\pm 10\%$, 50 to 60 Hz	220 to 230 V AC $\pm 10\%$, 50 Hz	220 to 240 V AC $\pm 10\%$, 50 to 60 Hz		
	110 to 250 V DC $\pm 10\%$	194 to 250 V DC $\pm 10\%$	200 to 250 V DC $\pm 10\%$		
Rated operational current		Size 2	Size 4	Size 6	
	230 V; 50 Hz	100 mA	190 mA	230 mA	
	110 V; 60 Hz	185 mA	350 mA	–	
Inrush current	$I_{\text{peak}} = 53.5 \text{ A}$; $\Delta t = 124.8 \mu\text{s}$ maximum number of luminaires per miniature circuit breaker:				
	Type	10 A	16 A	20 A	25 A
	B	12	19	24	30
	C	20	32	40	50
	K	40	64	80	100
Power factor		Size 2	Size 4	Size 6	
	230 V; 50 Hz	≥ 0.88	≥ 0.95	≥ 0.95	
	110 V; 60 Hz	≥ 0.97	≥ 0.98	–	
THD		Size 2	Size 4	Size 6	
	230 V; 50 Hz	$\leq 15\%$	$\leq 7\%$	$\leq 7\%$	
	110 V; 60 Hz	$\leq 7\%$	$\leq 9\%$	–	
Protection class	I (with internal PE connection)				

Luminous characteristics

Colour rendering	$R_a \geq 80$						
Colour temperature	4,000 K (warm neutral white), 5,000 K (standard light colour, neutral white) or 6,500 K (daylight white)						
Luminous flux		L402/4.2.		L402/4.4.		L402/4.6.	
	Size	2		4		6	
Power consumption [W]	22		42		50		
Diffuser	with	without	with	without	with	without	
Luminous flux [lm]	2.910	3.230	5.810	6.460	6.960	7.720	
Luminaire efficacy [lm/W]	132	147	138	154	139	154	

Values apply to $T_a = +25\text{ }^\circ\text{C}$.

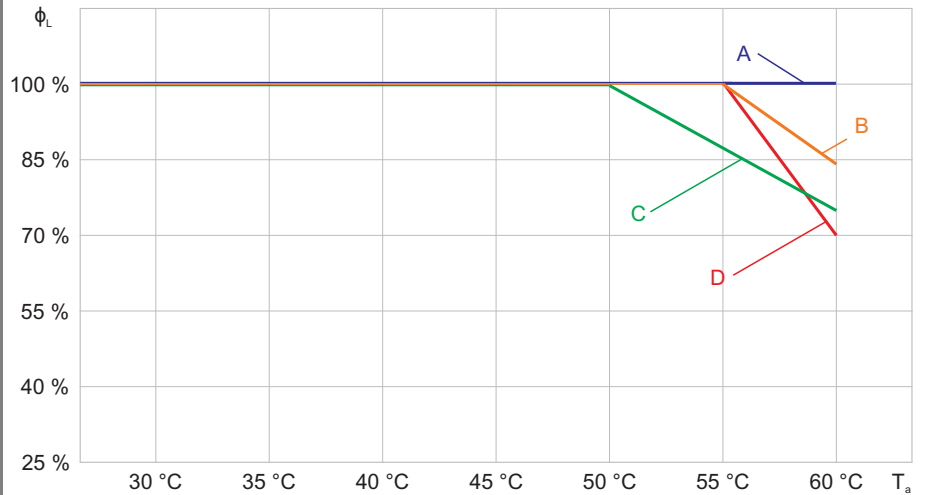
Technical Data

Energy efficiency class of the light source

The device contains a light source in energy efficiency class D (according to the Energy Labelling Regulation for light sources)

Luminous flux decline

- during DC operation to 95% (standard/with address module)
- during DC operation to 50% (DALI)
- at ambient temperature (only DALI)



- A: size 2; 110 to 230 V
- B: size 4; 230 V
- C: size 4; 110 V
- D: size 6; 230 V

Ambient conditions

Functional ambient temperature range

	Standard + DALI Size 2, Size 4	Standard + DALI Size 6	with address module Size 2, Size 4
without through wiring	-40 to +60 °C	-20 to +60 °C	-30 to +50 °C
I_N through wiring ≤ 10 A	-40 to +60 °C	-20 to +60 °C	-30 to +50 °C
I_N through wiring ≤ 16 A	-40 to +55 °C	-20 to +55 °C	-30 to +45 °C

Storage

-40 to +75 °C

Service life

LED

$L_{90B_{50}}$: 100,000 h

L_xB_y

At the end of the service life:

- Luminous flux decline to "x" percent
- Up to "y" percent of all luminaires fall below "x"

LED control gear

	Standard + DALI Size 2, Size 4	with address module Size 2, Size 4	Standard + DALI Size 6
C10 at 50 °C	$\geq 100,000$ h	$\geq 50,000$ h	$\geq 100,000$ h
C10 at 60 °C	$\geq 100,000$ h	$\geq 50,000$ h	$\geq 50,000$ h

Technical Data

Mechanical data

Degree of protection	Size 2, Size 4: IP66 / IP67 (IEC 60598) Size 6: IP66 (IEC 60598) Size 2, Size 4, Size 6: IP64 if a breather is used
Impact strength (IK code)	IK10 (IEC 62262)
Material	
Enclosure	Polyester resin, glass fibre-reinforced
Enclosure colours	Colour grey, similar to RAL 7035
Lamp cover	Polycarbonate
Seal	Silicone foam gasket in the lamp cover
Luminaire locking	Central locking which can be opened/closed using a socket key M8 / wrench size 13, hinged lamp cover

Mounting / Installation

Cable glands	<p>Standard luminaire</p> <p>Plastic: 2 x M25 x 1.5 cable gland 8161 and 2 x M25 x 1.5 stopping plugs 8290 (enclosed)</p> <p>Metal: 2 x metal plates M20 x 1.5 connected by means of PE for metal cable entries Attention: cable entries must be ordered separately</p> <p>Special: max. 4 bores for M20, M25, NPSM ½” max. 2 bores for NPT ¾”</p> <p>Metal cable glands: M20 x 1.5, M25 x 1.5; earthing of the metal cable entries by means of metal plates</p>
Connection	<p>Spring clamp terminals</p> <p>Standard: 5-pole: L1, L2, L3, N, PE with address module: 5-pole: L+, N-, PE, L', N' with DALI: 7-pole: L1, L2, L3, N, PE, D1, D2</p> <p>Clamping range: 1 x 1.5 to 4 mm² (finely stranded) 1 x 1.5 to 6 mm² (solid and finely stranded with core end sleeve) (2 free clamping units per pole available)</p>
Through wiring	<p>Standard luminaire with</p> <p>Luminaires are equipped with internal through wiring. Connection of ingoing and outgoing leads on opposite sites is possible. Terminals: See Tech. data Wiring cross section of the supply line connection: 2.5 mm² for max. 16 A (Observe service temperature)</p> <p>Optional without</p> <p>On the connection side, there are 2 bores M25 x 1.5 for cable entries for through wiring of the connection line (ingoing and outgoing leads on one side).</p>

Technical Data

<p>Assembly</p>	<p>Standard luminaire</p> <p>Standard: 2 x M8 insert nuts in the enclosure</p> <p>Special: Mounting grooves in the enclosure for use of fastening and ceiling rails for variable luminaire mounting (variable mounting distances for luminaires Size 2: 320 to 480 mm; Size 4, Size 6: 670 to 930 mm)</p>
<p>Optional</p>	
<p>DALI-connection</p>	<p>DALI interface in accordance with IEC 62386-207:2018-04 The maximum permissible voltage drop on the DALI conductor is defined with a maximum of 2 V. This corresponds with a maximum conductor length of 300 m, with a conductor cross-section of 1.5 mm².</p>
<p>Address module (Size 2, Size 4)</p>	<p>Control input: Rated voltage: 220 to 230 V 50 Hz AC / DC</p> <p>Function: Address and switching module for R. STAHL emergency lighting systems according to VDE 0108: The module is used for the monitoring of individual luminaires and for the control of mains and emergency luminaires. The module offers the following functions:</p> <ul style="list-style-type: none"> • Control of the luminaire (ON / OFF) and calling up the function • Up to 20 addresses can be configured for each electrical circuit by means of a coding switch and/or software • The type of connection (continuous light, stand-by light or switched light) of the luminaire is freely programmable • Mixed operation within a circuit is possible
<p>Breather</p>	<p>Breather 8162/1 from R.STAHL Schaltgeräte GmbH The breather guarantees compliance with degree of protection IP64 in all mounting positions. The breather may not be used in atmospheres with corrosive gasses.</p>

For further technical data, see r-stahl.com.

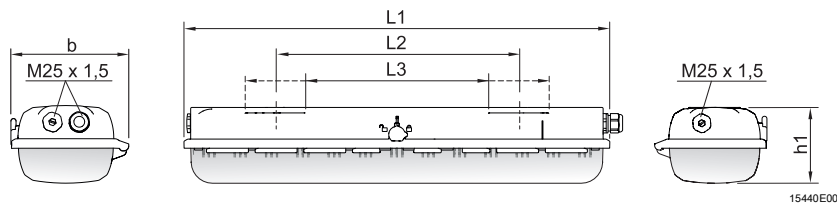
6 Transport and storage

- Transport and store the device only in the original packaging.
- Store the device in a dry place (no condensation) and vibration-free.
- Do not drop the device.

7 Mounting and installation

7.1 Dimensions / fastening dimensions

Dimensional drawings (all dimensions in mm [inches]) – Subject to modification



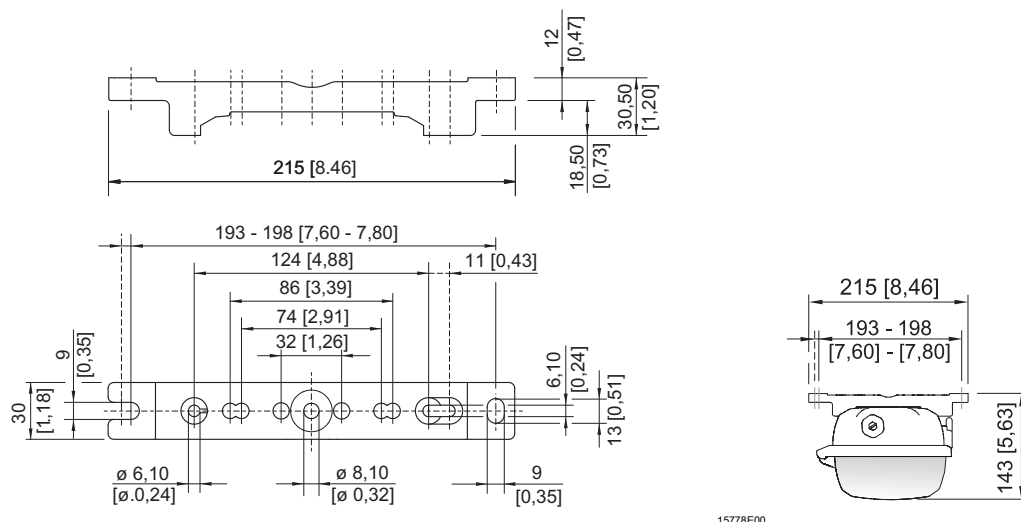
Dimensions	Luminaire		
	Size 2	Size 4	Size 6
L1	700 [27.56]	1310 [51.57]	1610 [63.39]
L2 ¹⁾	400 [15.75]	800 [31.50]	800 [31.50]
L3 ²⁾	320 to 480 [12.60 to 18.90]	670 to 930 [26.38 to 36.61]	670 to 930 [26.38 to 36.61]
b	184 [7.24]	184 [7.24]	184 [7.24]
h1	125 [4.92]	125 [4.92]	125 [4.92]

¹⁾ fixed mounting distance

²⁾ variable mounting distance

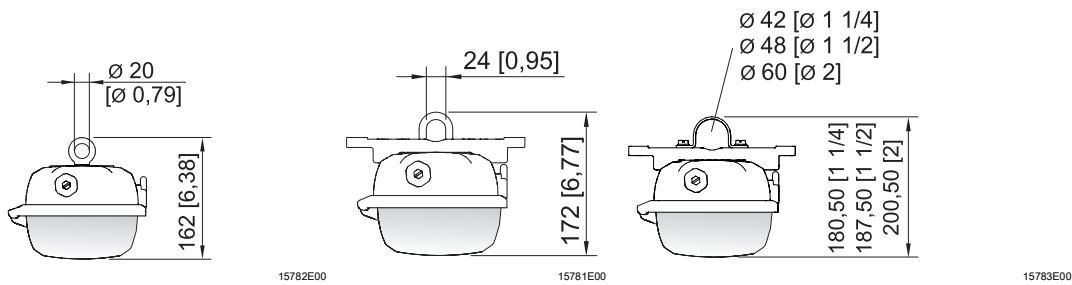
EXLUX L402/4 standard luminaire

Dimensional drawings for assembly parts and accessories (all dimensions in mm [inches]) – Subject to alterations



Mounting rail

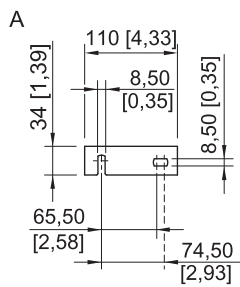
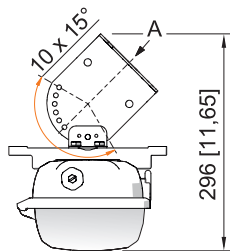
Dimensional drawings for assembly parts and accessories
(all dimensions in mm [inches]) – Subject to alterations



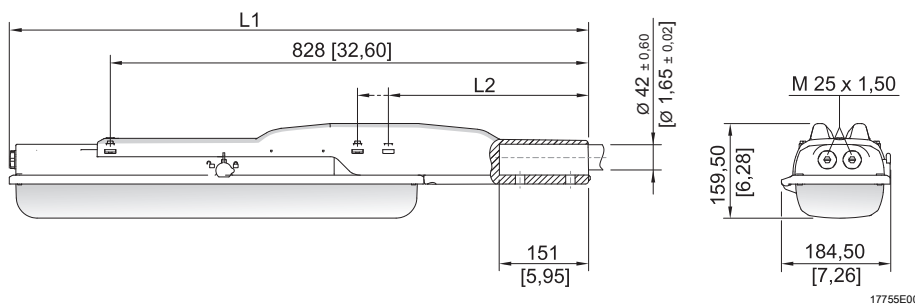
Ring bolt fitted in insert nut of the luminaire

Mounting bracket fitted in mounting rail

Pipe clamp fitted in mounting rail



Wall mounting bracket fitted in mounting rail



Dimensions	Luminaire	
	Size 2	Size 4
L1	978 [38.50]	1587 [62.48]
L2	390 [15.35]	338 [13.31]

Linear luminaire EXLUX with pole mounting sleeve

7.2 Removing protective foil

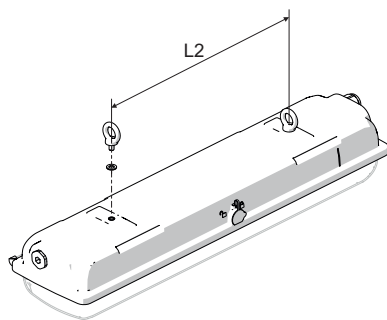
As standard, the luminaire is generally delivered with protective foil on the translucent cover. However, in some cases, it can be delivered without protective foil.

- If protective foil is available:
Remove protective foil prior to commissioning.

7.3 Mounting / dismounting, operating position

i	<p>The luminaire is suitable for wall and ceiling mounting. In event of wall mounting in outdoor areas, avoid installation with central lock at top. The mounting position with upward light emission in outdoor areas is prohibited.</p>
----------	---

Suspension at fixed mounting points

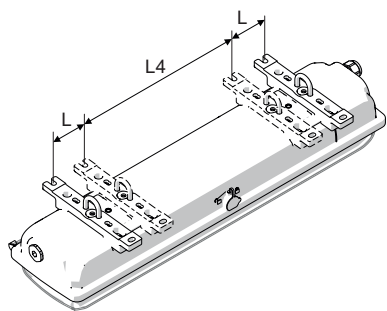


Size	L2 mm [inch]
2	400 [15.75]
4	800 [31.50]
6	800 [31.50]

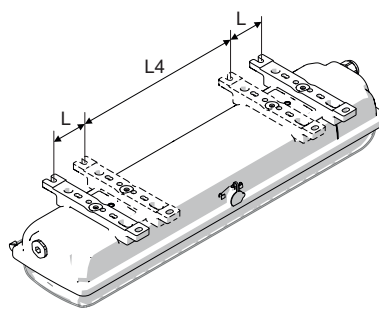
max. screw-in depth 10 mm [0.39]

15446E00

Suspension at movable mounting parts



15442E00



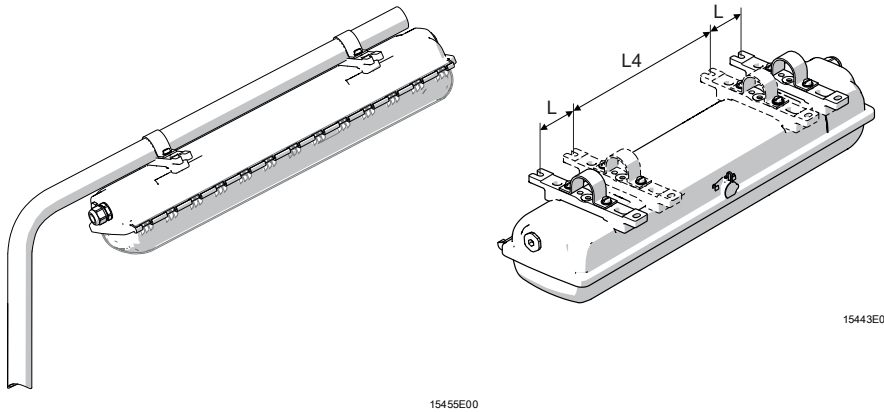
15447E00

Mounting bracket		Top rail
Size	L4 mm [inch]	L mm [inch]
2	320 [12.60]	80 [3.15]
4	670 [26.38]	130 [5.12]
6	670 [26.38]	130 [5.12]

Lateral mounting pockets for variable points of suspension.

i When mounting the luminaire using top rails, ensure that the mounting surface is flat. Otherwise, the enclosure might be mounted in a warped/twisted way. The result is leakage of the luminaire and difficulties in replacing the translucent cover.

**Pole suspension
Pole mounting using pipe clamps**

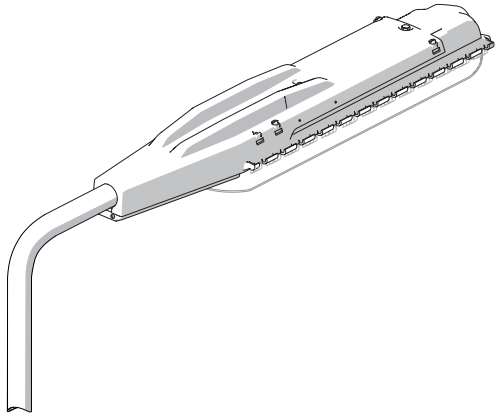


Size	L4 mm [inch]	L mm [inch]
2	320 [12.60]	80 [3.15]
4	670 [26.38]	130 [5.12]
6	670 [26.38]	130 [5.12]

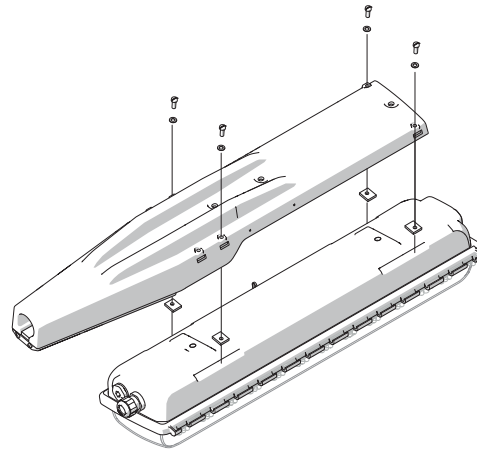
i For pipe clamp mounting, use the solution of R. STAHL Schaltgeräte GmbH with integrated mounting rail providing reliable and stable four-point fixing! In case of point suspension using pipe clamps, R. STAHL Schaltgeräte GmbH does not guarantee the strength and tightness of the luminaire!

Pole mounting using pole mounting sleeve

i	Only for size 2 and size 4
----------	----------------------------

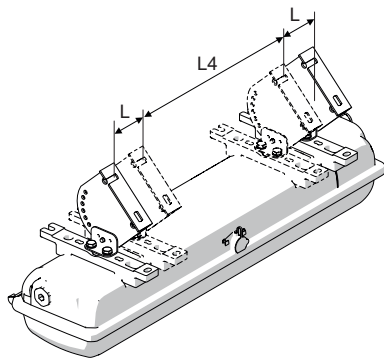


17761E00

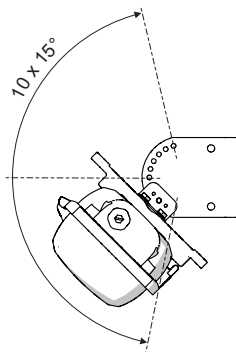


17762E00

Wall bracket mounting



15515E00




15517E00

Size	L4 mm [inch]	L mm [inch]
2	320 [12.60]	80 [3.15]
4	670 [26.38]	130 [5.12]
6	670 [26.38]	130 [5.12]

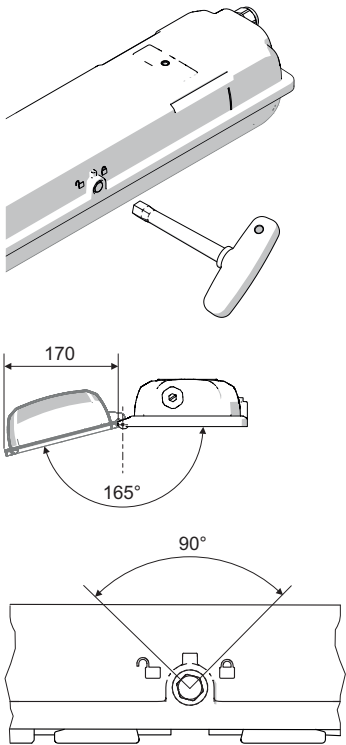
7.4 Installation

7.4.1 Opening and Closing of the Enclosure

	DANGER
	<p>Risk of electric shock due to improper opening! Non-compliance results in severe or fatal injuries.</p> <ul style="list-style-type: none"> • Open luminaires without switch only in de-energized state (see information plate on the lock)!

NOTICE
<p>Danger due to electrostatic discharge. Electronic components can be destroyed if touched.</p> <ul style="list-style-type: none"> • Do not touch the LED-PCBs!

i	<p>Recommendation Opening and closing of the luminaire by using a socket wrench from R. STAHL Schaltgeräte GmbH.</p>
---	---

 <p style="font-size: 0.8em; margin-top: 5px;">15448E00</p> <p style="font-size: 0.8em; margin-top: 5px;">15451E00</p> <p style="font-size: 0.8em; margin-top: 5px;">15436E00</p>	<ul style="list-style-type: none"> • Remove the closing cap of the central lock. • Turn the central lock using a box spanner M8, spanner size 13, by 90° to the left as far as it will go. • Swivel down the translucent cover. • Proceed in reverse order to close. • The seal of the translucent cover must lie correctly on the sealing edge. • Push the closing cap onto the central lock opening (protection against dirt).
---	--



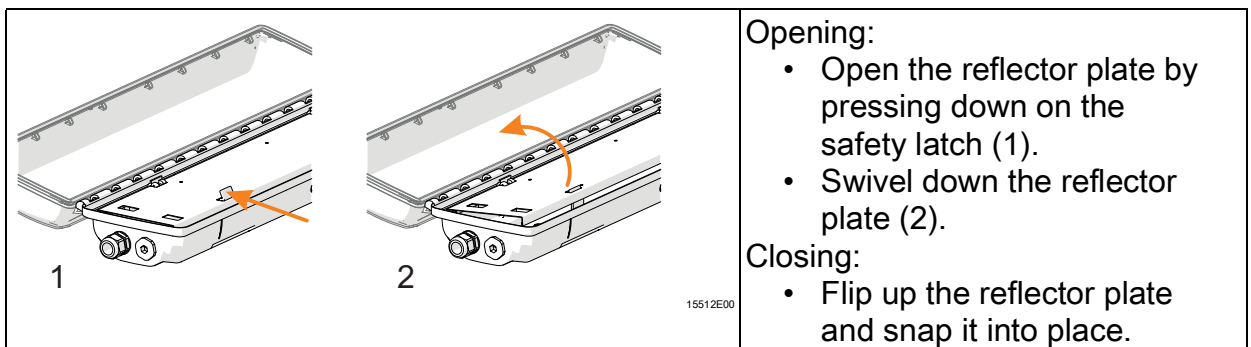
Observe the following during mounting and dismantling:

- Version without switch: Disconnect the luminaire from the power supply and secure it against being switched on again.
- Do not use force when opening or closing the enclosure.

Central lock

- Version with switch: The luminaire is positively disconnected from the power supply by actuating the central lock.
- In open end position and with translucent cover swivelled down, an anti-pumping device prevents the central lock from being actuated.

Opening and closing the reflector plate



Opening:

- Open the reflector plate by pressing down on the safety latch (1).
- Swivel down the reflector plate (2).

Closing:

- Flip up the reflector plate and snap it into place.

7.4.2 Electrical connections

Electrical connection

Observe the maximum clamping possibility of the connection terminals (see chapter "Technical data").

Observe the following when connecting to the electrical connection:

- Clamping must be carried out precisely.
- Do not clamp any part of the conductor insulation.
- Do not mix up the conductors.
- Observe the technical regulations when connecting the conductor.
- Clamp the conductor firmly.

Connection terminals

Clamping range:

1 x 1.5 to 4 mm² (finely stranded)

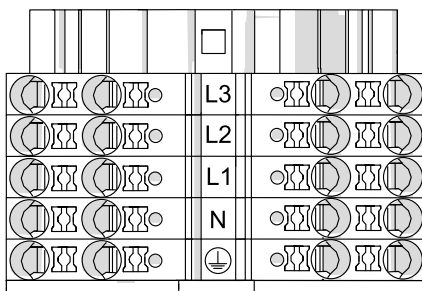
1 x 1.5 to 6 mm² (solid and finely stranded with core end sleeve)

(2 free clamping units per pole available)

Stripping length:

10 to 12 mm

Standard:



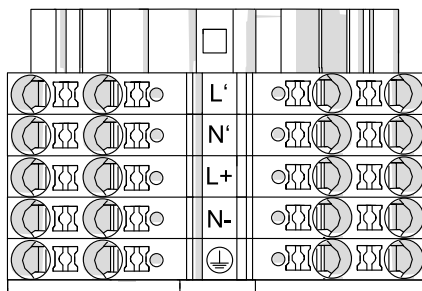
L1, L2, L3 = phase

N = neutral conductor

⊕ = protective conductor

20219E00

with address module:



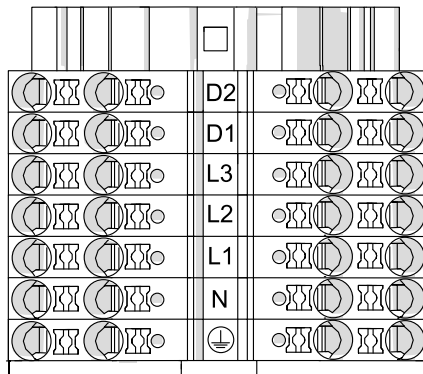
L', N' = control input


L+, N- = final electrical circuit

⊕ = protective conductor

20220E00

with DALI connection:



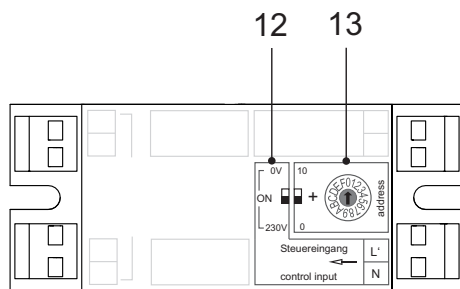
- D1, D2 = DALI connection
- L1, L2, L3 = phase
- N = neutral conductor
-  = protective conductor

20221E00

Through wiring of the mains supply connection

i	Through wiring with 2.5 mm ² cross section for max. 16 A.
----------	--

7.4.3 Luminaires with address module



18812E00

- 12 Logic switch
- 13 Address switch

Address setting

NOTICE

Before operating an emergency lighting central battery system, the luminaire addressing is to be performed by means of a 4 mm screwdriver for slotted screws.

Address switch (13):

Slide switch 0 / 10	Rotary switch 0 / F	Luminaire address
0	0	0 (invalid)
0	1	1
0	2	2
...
0	9	9
0	A	10
10	0	10
10	1	11
...
10	9	19
10	A	20
10	B to E	invalid
10	F	Addressing via software

Control input

The address module provides the opportunity to connect a control line for switching the luminaire.

Logic switch (12):

Slide switch 0 V / 230 V	Function
0 V	negative logic
230 V	positive logic

Switching options:

positive logic (230 V)	negative logic (0 V)
<p>switched light to switch on the luminaire together with other luminaires</p> <p style="text-align: right; font-size: small;">19025E00</p>	<p>switched light to switch on the luminaire in case of power failure</p> <p style="text-align: right; font-size: small;">19026E00</p>

- L, N Power supply network
- FZB Battery system
- S General lighting switch

- 10 Control line
- 14 Emergency lighting
- 15 General lighting

7.4.4 Cable entries

The standard luminaire is delivered with 3 lead-in holes, 2 cable glands and 2 stopping plug.

Tightening torques for components from R. STAHL Schaltgeräte GmbH

Luminaires with installed cable entries and stopping plugs from

R. STAHL Schaltgeräte GmbH must be tightened using the following values:

		Tightening torque	
		Connection thread	Pressure screw
Cable entry 8161	M20 x 1.5	2.3 Nm	1.5 Nm
	M25 x 1.5	3.0 Nm	2.0 Nm
Stopping plugs 8290	M20 x 1.5	1.0 Nm	–
	M25 x 1.5	1.5 Nm	–

Luminaires with cable entries and stopping plugs which are not supplied by R. STAHL Schaltgeräte GmbH

Please observe the following:

- the required dust resistance!
- the required type of protection!
- the required temperature resistance!
- the IP degree of protection according to the rating plate!
- the operating instructions of the cable entries and stopping plugs!
- the required tightening torques!
- the range of the permissible cable diameter!

8 Commissioning

NOTICE

Malfunction or device damage caused by condensation.

Non-compliance can result in material damage!


- operate the luminaire continuously or periodically over extended periods of time.
- avoid thermal bridges, use suitable installation accessories.

Before commissioning, ensure the following:

- Check the mounting and installation.
- Check the device for damage.
- If necessary, remove foreign bodies.
- If necessary, clean the connection chamber.
- Check if the conductors have been inserted correctly.
- Check if all screws and nuts have been tightened firmly.
- Check if all drilled holes are closed.
- Check whether all the cable entries and stopping plugs have been tightened firmly.


- Check if all conductors have been clamped firmly.
- Check if the line voltage and the rated operational voltage are consistent.
- Check if the permissible conductor diameter for the corresponding cable entries have been used.
- Check if the device is closed according to regulations.
- Monitor whether the LED assembly and the diffuser are clean.
- Check that there is no protective foil on the translucent cover.

9 Maintenance, Overhaul, Repair

	CAUTION
	<p>Risk of electric shock or malfunction of the device due to unauthorized work! Non-compliance can result in light injuries!</p> <ul style="list-style-type: none"> • Before carrying out work on the device, switch off voltage supply. • Work performed on the device must only be carried out by authorized and appropriately trained qualified electricians.

9.1 Maintenance

- Consult the relevant national regulations to determine the type and extent of inspections.
- Adapt inspection intervals to the operating conditions.

	<p>Observe the relevant national regulations in the country of use.</p>
---	---

During maintenance/overhaul of the device, the following points must be checked:

- Whether the clamping screws holding the cables are securely seated
- Whether the device has cracks or other visible signs of damage
- Whether the seal shows signs of ageing or damage (completely replace enclosure components with damaged foamed seal)
- Whether the device is clean inside and out
- Whether the cable entry is intact and securely tightened
- Whether the cables and lines show signs of ageing and damage
- Intended use and function.

9.2 Repair

Repairs carried out on the mounting plate are not permitted. Replace the mounting plate completely in case of malfunction.

9.3 Returning the device

- Only return or package the devices after consulting R. STAHL!
Contact the responsible representative from R. STAHL.

R. STAHL's customer service is available to handle returns if repair or service is required.

- Contact customer service personally.

or

- Go to the r-stahl.com website.
- Under "Support" > "RMA" > select "RMA-REQUEST".
- Fill out the form and send it.
You will automatically receive an RMA form via email. Please print this file off.
- Send the device along with the RMA form in the packaging to
R. STAHL Schaltgeräte GmbH (refer to chapter 1.1 for the address).

10 Cleaning

- Clean the device only with a cloth, brush, vacuum cleaner or similar items.
- When cleaning with a damp cloth, use water or mild, non-abrasive, non-scratching cleaning agents.
- Do not use aggressive detergents or solvents.

11 Disposal

- Observe national and local regulations and statutory regulation regarding disposal.
- Separate materials when sending it for recycling.
- Ensure environmentally friendly disposal of all components according to the statutory regulations.
- Removal of components at the end of their service life:
 - Remove and open luminaires according to the operating instructions.
 - Disconnect cables from the LED PCB and control gear.
 - Control gear: Loosen the mounting screws and remove the device.
 - LED PCB: Push the barbs on the underside together using suitable pliers and remove the PCB upwards.

12 Accessories and Spare parts

NOTICE

Malfunction or damage to the device due to the use of non-original components.
Non-compliance can result in material damage.

- Use only original accessories and spare parts from R. STAHL Schaltgeräte GmbH.



For accessories and spare parts, see data sheet on our homepage
r-stahl.com.

EU-Konformitätserklärung
EU Declaration of Conformity
Déclaration de Conformité UE



R. STAHL Schaltgeräte GmbH • Am Bahnhof 30 • 74638 Waldenburg, Germany
 erklärt in alleiniger Verantwortung / declares in its sole responsibility / déclare sous sa seule responsabilité,


dass das Produkt <i>that the product</i> <i>que le produit</i>	LED Langfeldleuchte <i>LED Linear Luminaire</i> <i>LED Luminaire Linéaire</i>
Typ(en), type(s), type(s)	L402/4.


mit den Anforderungen der folgenden Richtlinien und Normen übereinstimmt.
is in conformity with the requirements of the following directives and standards.
est conforme aux exigences des directives et des normes suivantes.

Richtlinie(n) / Directive(s) / Directive(s)	Norm(en) / Standard(s) / Norme(s)
2014/35/EU Niederspannungsrichtlinie <i>2014/35/EU Low Voltage Directive</i> <i>2014/35/UE Directive Basse Tension</i> (OJ L 96, 29.03.2014, p. 357-374)	EN IEC 60598-1:2021+A11:2022 EN IEC 60598-2-22:2022 EN 62471:2008
2014/30/EU EMV-Richtlinie <i>2014/30/EU EMC Directive</i> <i>2014/30/UE Directive CEM</i> (OJ L 96, 29/03/2014, p. 79-106)	EN IEC 55015:2019+A11:2020 EN 61547:2009 EN 61000-3-2:2014 EN 61000-3-3:2013
2011/65/EU & (EU) 2015/863 RoHS-Richtlinien <i>2011/65/EU & (EU) 2015/863 RoHS Directives</i> <i>2011/65/UE & (UE) 2015/863 Directives RoHS</i> (OJ L 174, 1/07/2011, p. 88-110 & OJ L 137, 04/06/2015, p. 10-12)	EN IEC 63000:2018
2009/125/EG Ökodesign-Richtlinie <i>2009/125/EC Ecodesign Directive</i> <i>2009/125/CE Directive d'écoconception</i> (OJ L 285, 31/10/2009, p. 10-35)	EU 2019/2020 EU 2021/341

Unterzeichnet für und im Namen von: / signed for and on behalf of: / signé pour et au nom de:

R. STAHL Schaltgeräte GmbH

Signed by:

 D9C934BBE47F4A6...

Signiert von:

 E499DCFA96534BB...

Waldenburg, 2026-01-29

Ort und Datum
Place and date
Lieu et date

Steffen Holtz
Leiter Entwicklung Leuchten und Signalgeräte
Director R&D Lighting and Signalling
Directeur R&D Eclairage & Appareils de signalisation

Daniel Groth
Leiter Qualitätsmanagement Systeme
Director Quality Management Systems
Directeur Systèmes de Management de la Qualité