

## Junction Box for Heat Tracing - Wall Mounted Series TEF 1058

TRANBERG®

STAHL



- > High ingress protection. IP66/67 is standard, IP68 can be delivered upon request
- > Drainage flange in box prevents penetration of water
- > Manufactured in acid proof stainless steel (AISI 316L)
- > Tailor made size and performance is possible
- > Stainless steel type label spot welded to the cover
- > Several earthing alternatives
- > Maximum strength and corrosion resistance
- > Low lifetime maintenance cost



14044E00

www.stahl.de



E6

The TEF 1058 are used for a wide range of installations, normal solutions are: Electro, instrument, telecom market, ESD's, control stations i. e.

	ATEX					
Zone	0	1	2	20	21	22
For use in		x	x			

### Explosion Protection

#### Marking

Europe (ATEX) | II 2 GD EEx e II T6

#### Certificates

Europe (ATEX) | NEMKO 01ATEX097  
CSA 216432


WebCode T1058F

# Junction Box for Heat Tracing - Wall Mounted

## Series TEF 1058



**Selection Table**

Version	Picture	Equipped with	Order number
Junction box for heat tracing, for 1 self-regulating heating cable, equipped with cable glands	 14048E00	2 x Cable glands for power cable, type: E204/3B/M25, brass 1 x Drainplug M25, brass 2 x Stopping plugs M25, brass 10 x Terminals PHOENIX UK6N 2 x Entries for transition units, dia 25 mm 1 x Trafolyte label	TEF9177092
Junction box for heat tracing, for 1 self-regulating heating cable, equipped with cable glands	 14003E00	1 x Cable gland for power cable, type: E204/3B/M25, brass 1 x Drainplug M25, brass 1 x Stopping plug M25, brass 4 x Terminals PHOENIX MXK4Ex 2 x Terminals PHOENIX MBK6/E 1 x Entry for transition unit, dia 25 mm	TEF9177090
Junction box for heat tracing, for 1 self-regulating heating cable	 14049E00	2 x Entries for power cable, dia 25 mm 1 x Entry for drainplug, dia 25 mm 4 x Terminals PHOENIX MXK4Ex 2 x Terminals PHOENIX MBK6/E 1 x Entry for transition unit, dia 25 mm	TEF10581008
Junction box for heat tracing, for 1 self-regulating heating cable	 14045E00	2 x Entries for power cable, dia 25 mm 1 x Entry for drainplug, dia 25 mm 4 x Terminals PHOENIX MXK4Ex 2 x Terminals PHOENIX MBK6/E 1 x Entry for transition unit, dia 25 mm	TEF10580508
Junction box for heat tracing, equipped with stopping plugs	 14046E00	7 x Entries with stopping plugs, brass, dia 25 mm 10 x Terminals PHOENIX UK6N 1 x Trafolyte label 1 x Mounting bracket SS316L	TEF9177024
Junction box for heat tracing	 13824E00	2 x Entries for power cable, dia 25 mm 9 x Terminals PHOENIX UK6N 3 x Entry for transition units, dia 25 mm	TEF10581508

# Junction Box for Heat Tracing - Wall Mounted

## Series TEF 1058

TRANBERG®

STAHL

### Technical Data

#### Electrical data

Rated voltage	Voltage	420 V (max. 4 mm <sup>2</sup> )	750 V (max. 10 mm <sup>2</sup> )
	Junction box	TEF9177090	TEF9177092
		TEF10581008	TEF9177024
		TEF10580508	TEF10581508

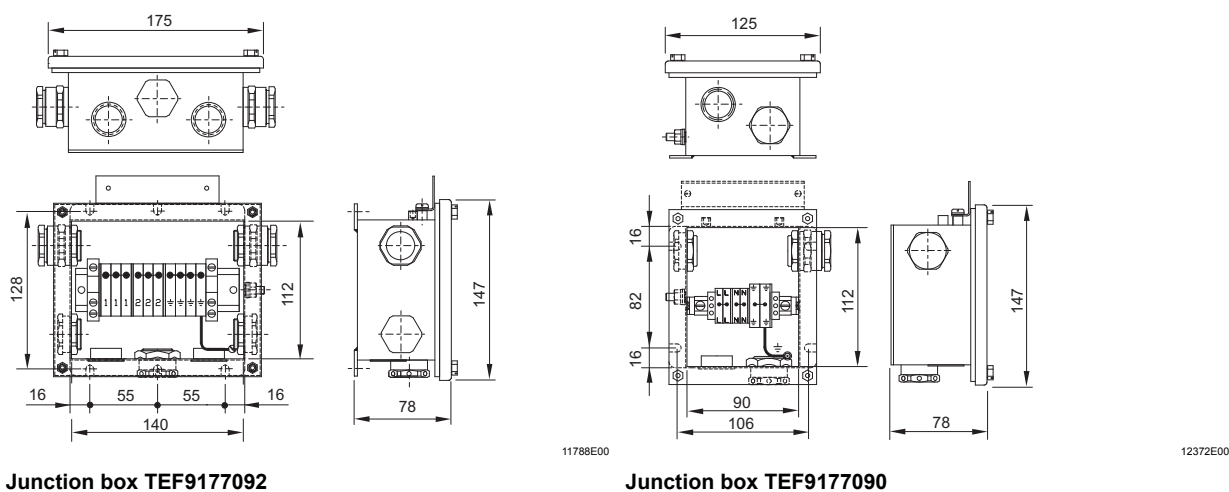
#### Mechanical data

Enclosure material	Material	AISI 316L / EN1.4404 Bright chemical dip	AISI 316L / EN1.4404 Electro polished
	Junction box	TEF9117092	TEF9177024
		TEF9117090	
		TEF10581008	
		TEF10580508	
Degree of protection	IP66 / IP67		

### Accessories and Spare Parts

Designation	Description	Order number
Connection kit	for Thermon cables KSX and HTSX, gasket 5 x 11	TEF9177224
	for Thermon cables BSX and VSX, gasket 5 x 13	TEF9177203
	for Thermon cables TSX and RSX, gasket 5 x 15	TEF9177204
Flexible conduit	SS316; inner diam. 18.8 mm, outer diam. 22.3 mm; length: 2 m	TEF7000080
	SS316; inner diam. 18.8 mm, outer diam. 22.3 mm; length: 25 m	TEF7000081
Adapter	for flexible conduit	TEF50791115
Cable gland for power cable	E204 / 3B / M25 - 9 mm; $\varnothing$ 13 ... 17.1 mm; with lock nut	TEF9147118
	E204 / 3A / M25 - 9 mm; $\varnothing$ 14.1 ... 20.1 mm; with lock nut	TEF9147119
Stopping plug	M25 - 9 mm; with lock nut	TEF9147113
Drain plug	M25 - 9 mm; with lock nut	TEF7302106
Labelling kit	TrafoLyte label with mounting kit for wall mounted junction box	TEF9090025

### Dimensional Drawings (All Dimensions in mm) - Subject to Alterations



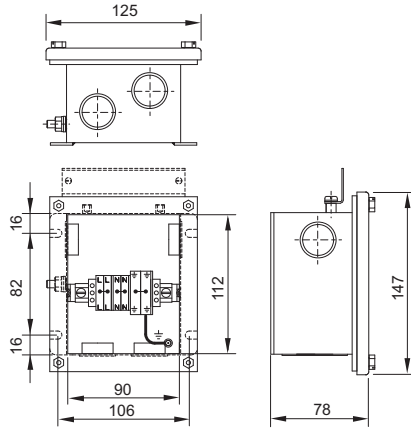
E6

# Junction Box for Heat Tracing - Wall Mounted

## Series TEF 1058

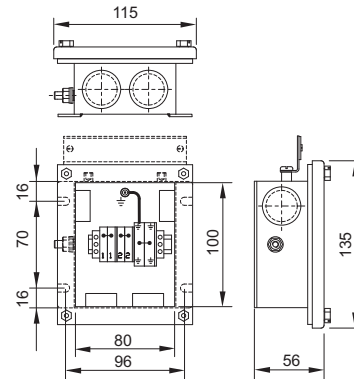


Dimensional Drawings (All Dimensions in mm) - Subject to Alterations



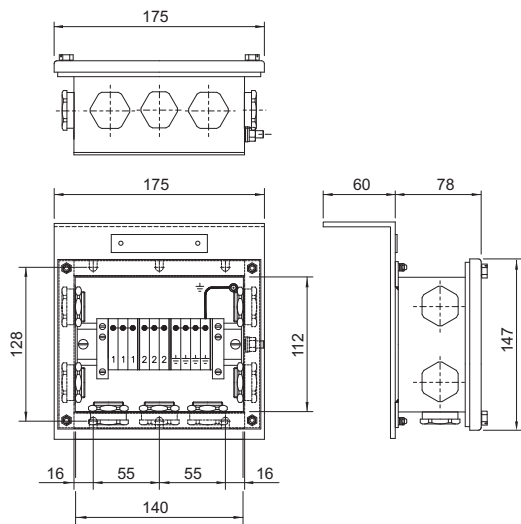
Junction box TEF10581008

12371E00



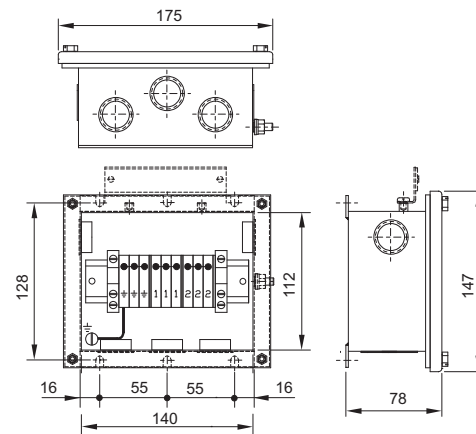
Junction box TEF10580508

12374E00



Junction box TEF9177024

14047E00



Junction box TEF10581508

11787E00

We reserve the right to make alterations to the technical data, dimensions, weights, designs and products available without notice. The illustrations cannot be considered binding.