

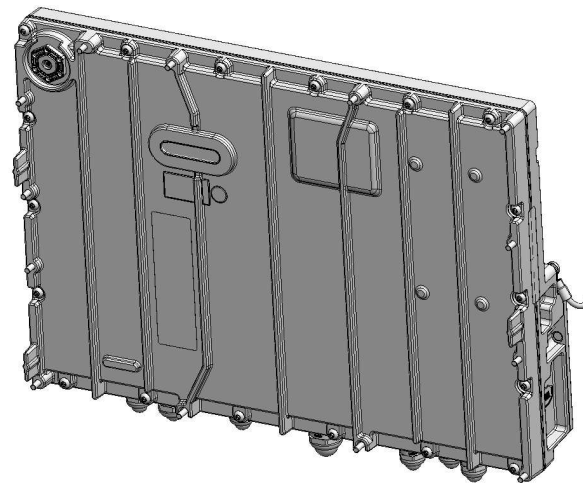
ORCA Product Series Overview

All rights reserved. Without our express consent this image may not be copied, made available to third parties or used in any other way not intended by the owner. State of the art – subject to technical or design alterations.

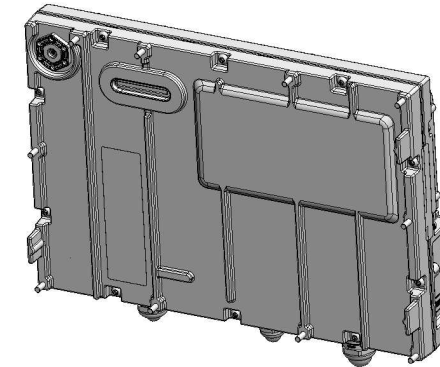
Alle Rechte vorbehalten ! Diese Zeichnung darf ohne unsere ausdrückliche Zustimmung weder vervielfältigt, noch Dritten zugänglich gemacht werden. Außerdem darf sie durch den Empfänger oder durch Dritte nicht in anderer Art und Weise mißbräuchlich verwendet werden. Stand der Technik – Technische bzw. konstruktive Änderungen vorbehalten .



22" ORCA Displaybox
(xx9A...)



E-Box PRO
(xxxAxxxx1...)
Can only be combined with 15", 22"-D-Box.



E-Box STD
(xxxAxxxx0...)
Can be combined with 12", 15", 22"-D-Box.



15" ORCA Displaybox
(xx4A...)



12" ORCA Displaybox
(xx2A...)

Available mechanical options (depending on configuration)

HMI-Type	Drawing
E/Mx2Axxxx0	30601002 RevXX E-Mx2A Main Assembly
E/Mx4Axxxx0 (with E-Box STD)	30601003 RevXX E-Mx4A STD Main Assembly
E/Mx4Axxxx1 with E-Box PRO	30601004 RevXX E-Mx4A PRO Main Assembly
E/Mx9Axxxx0 with E-Box STD	30601005 RevXX E-Mx9A STD Main Assembly
E/Mx9Axxxx1 with E-Box PRO	30601006 RevXX E-Mx9A PRO Main Assembly

MATERIAL / FINISH:		UNLESS OTHERWISE SPECIFIED: DIMENSIONS ARE IN MILLIMETERS [inches]			R. STAHL HMI Systems GmbH Cologne - Germany www.stahl-hmi.de				
or depending on the order		TOLERANCES: DIN ISO 2768 mK DEBUR AND BREAK SHARP EDGES							
Rev.	Modification	Date	Drawn	Checked	SCALE: 1:5 MAT.-NO.: -	Date	Drawn	Checked	
						30.11.2022	SL	DW	
DRAWING NO. TITLE 30601000 Rev00 Orca Product Series Overview						WEIGHT:	SURFACE:	A3	SHEET 1 OF 1