

# Fuse Base

## Series 8561/01



www.stahl.de



- > For NEOZED-system fuse links
- > Rated working voltage up to 400 V
- > Rated working current up to max. 25 A
- > Defective fuse link detectable externally



02722E00

E9

Series 8561/01 fuse bases fitted with commercially-available NEOZED System fuse links. They are used mainly in Ex e distribution fuse boards to protect outgoing load circuits.

	ATEX / IECEx					
Zone	0	1	2	20	21	22
For use in		x	x			

**Selection Table**

Version	Size	Order number	Weight
			kg
Fuse base	D01	8561/01-01-...	0.800
	D02	8561/01-02-...	0.800

**WebCode 8561A**

# Fuse Base

## Series 8561/01

### Explosion Protection

#### Global (IECEX)

Gas	IECEX PTB 06.0063U Ex d e IIC Gb Ex d e I Mb
-----	--

#### Europe (ATEX)

Gas	PTB 02 ATEX 1028 U ⊕ II 2 G Ex d e IIC Gb ⊕ I M 2 Ex d e I Mb
-----	---

### Certifications and certificates

Certificates	IECEX, ATEX, Brazil (INMETRO), Serbia (SRPS)
--------------	--

### Technical Data

#### Electrical data

Rated insulation voltage	550 V
Rated operational voltage	400 V AC, 250 V DC
Rated operational current $I_e$	D01 16 A, D02 25 A
Operating class	gG
Characteristic	time-lag class gL/gG acc. to DIN VDE 0636, 0635, IEC 60269



#### Ambient conditions

Ambient temperature	-55 °C ... +40 °C
---------------------	-------------------

#### Mechanical data

Enclosure material	Epoxy resin
Screw cap fixing	M4, socket head cap screw
Connection type	2 x 1,5 ... 16 mm <sup>2</sup> clamp terminals
Note	NEOZED system fuses. A defective fuse link can be detected externally by means of the indicator. Fuse links may only be exchanged after disconnecting power supply.

### Accessories and Spare Parts

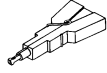

Designation	Figure	Description	Art. no.	Weight	
				kg	
Fuse	 05359E00	8561/01-01	2 A	<b>111402</b>	0.001
		8561/01-01	4 A	<b>111401</b>	0.006
		8561/01-01	6 A	<b>111400</b>	0.006
		8561/01-01	10 A	<b>111399</b>	0.006
		8561/01-01	16 A	<b>111398</b>	0.007
		8561/01-02	20 A	<b>111397</b>	0.012
		8561/01-02	25 A	<b>111466</b>	0.001
Adaptor screw	 05358E00	8561/01-01	2 A	<b>111633</b>	0.001
		8561/01-01	4 A	<b>111634</b>	0.001
		8561/01-01	6 A	<b>111628</b>	0.001
		8561/01-01	10 A	<b>111629</b>	0.001
		8561/01-02	20 A	<b>111630</b>	0.001
		8561/01-02	25 A	<b>111635</b>	0.001

# Fuse Base

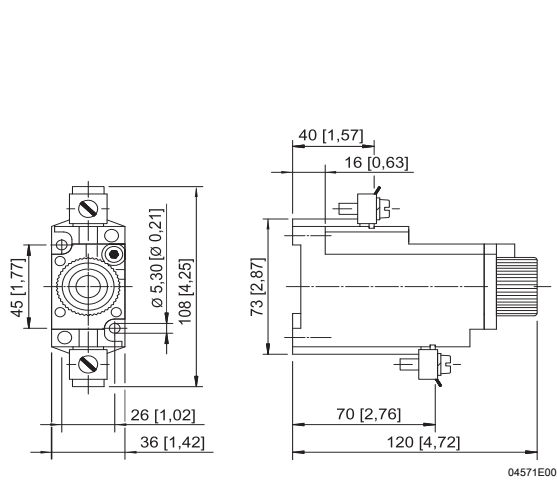
## Series 8561/01



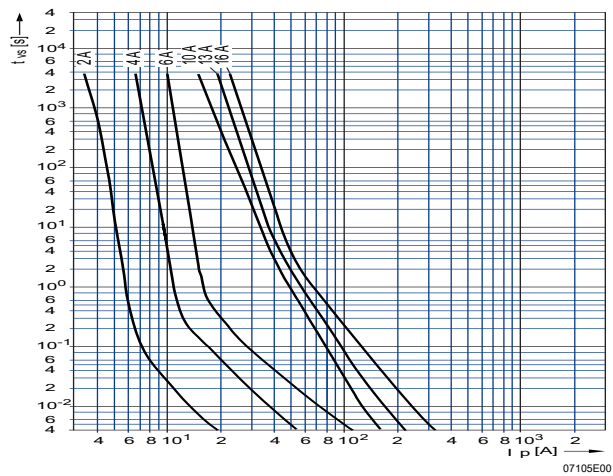
### Accessories and Spare Parts

Designation	Figure	Description	Art. no.	Weight
Adaptor screw fitter	 05047E00	for replacement of adaptor Neozed	<b>149226</b>	kg 0.020
Terminal cover	 05161E00	IP10 cover	<b>149225</b>	0.008

### Dimensional Drawings (All Dimensions in mm) - Subject to Alterations



8561/01 Fuse base



Current/time characteristic for fuses  
(tolerance max.  $\pm 10\%$ )

We reserve the right to make alterations to the technical data, dimensions, weights, designs and products available without notice. The illustrations cannot be considered binding.

E9