



- Corrosion-resistant, extremely robust, easy to install
- Material: 316L stainless steel (1.4404)
- Compatible with cameras from the 962 series

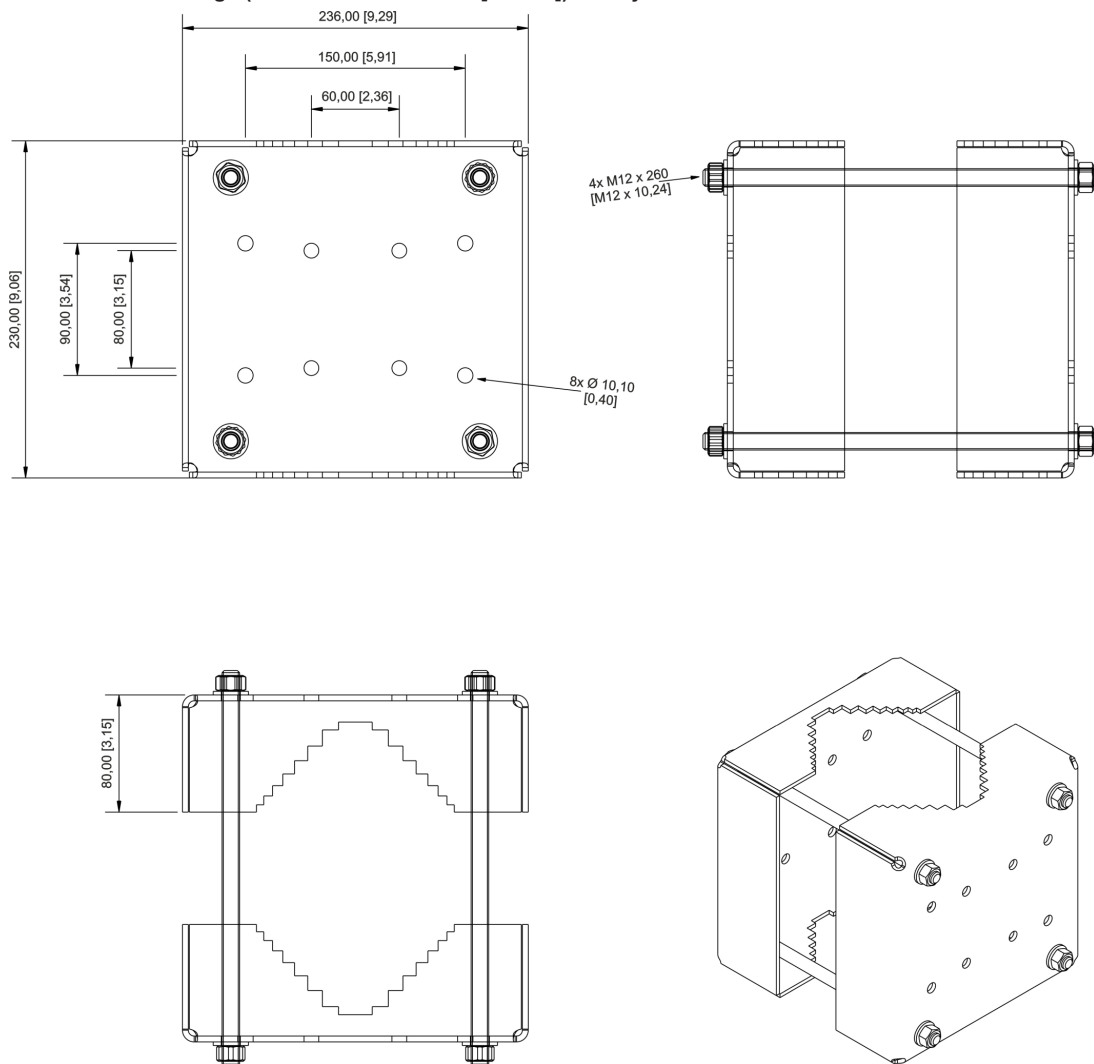
MY R. STAHL

The pole mount adapter allows the 962 series cameras to be easily mounted on poles with a diameter between 100 mm and 150 mm. The pole mount adapter is made of stainless steel, is corrosion-resistant and robust, and can be easily combined with the wall mount adapter. It is ideal for industrial areas, onshore and offshore installations, maritime applications and heavy industry.

Technical Data

General	
Product Type	PMA-EC-962-PMB-TNXCD/T08-VA4.x
Description	for EC-962 cameras and WB-EC-962-WMBTNXCD-VA4.x wall mount adapter
Mechanical Data	
Version	Pole mount adapter
Type of installation	on poles with a diameter of 100 mm to 150 mm
Material	Stainless steel AISI 316L/1.4404
Dimensions (WxHxD)	236 mm x 230 mm x 210 mm (max.)
Point load	50 kg
Weight	6 kg
Weight	13.23 lb
Scope of delivery	- 4x M12 x 260 threaded rod - 4x M10 x 25 screw - 8x M12 nut - 4x M10 nut - 8x M12 washer - 8x M10 washer Installation instructions

Dimensional Drawings (All Dimensions in mm [inches]) – Subject to Alterations



We reserve the right to make alterations to the technical data, dimensions, weights, designs and products available without notice. The illustrations cannot be considered binding.