



- Corrosion-resistant, extremely robust, easy to install
- Material: 316L stainless steel (1.4404)
- Compatible with cameras from the 912 series

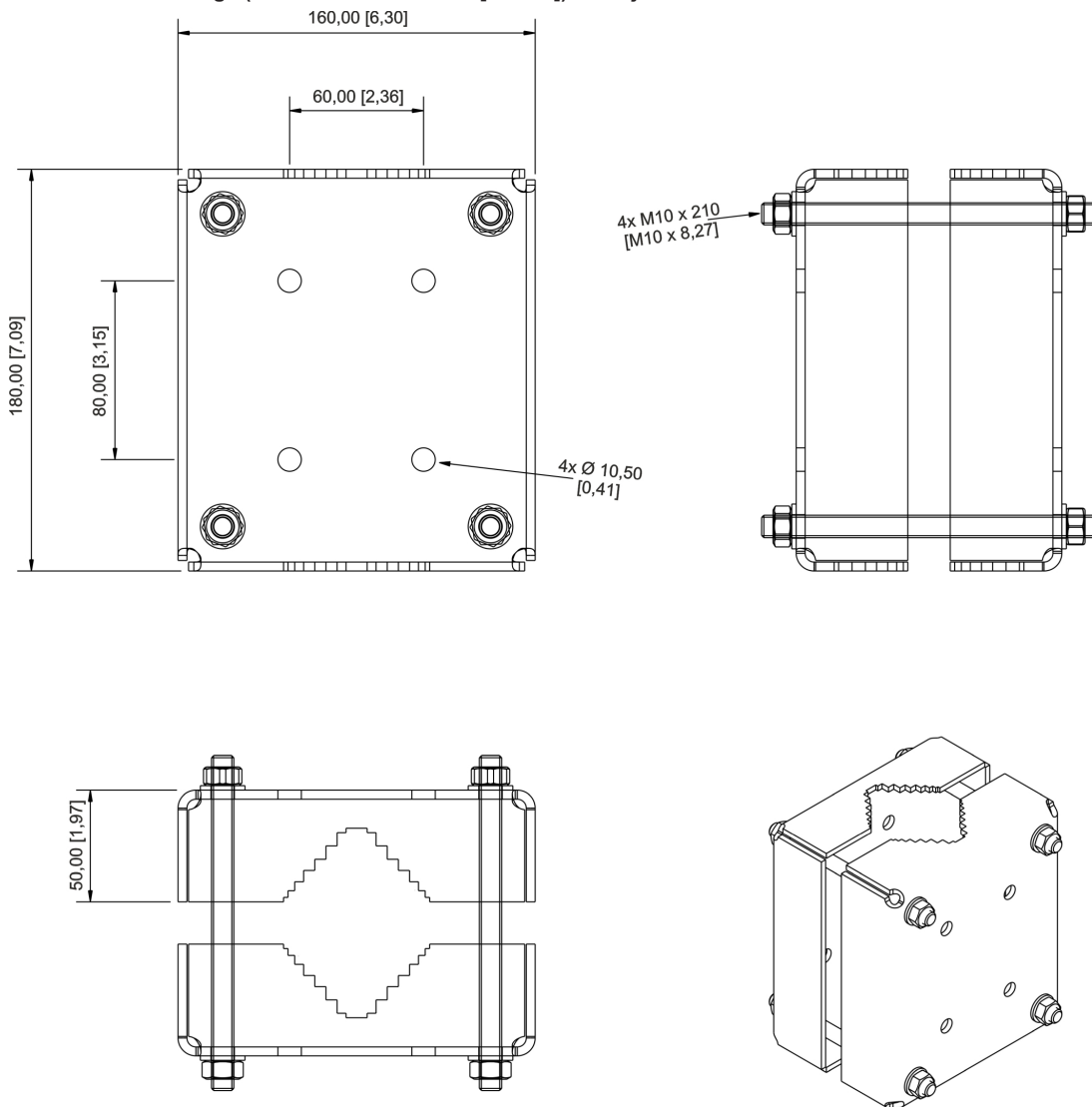
MY R. STAHL

The pole mount adapter allows the 912 series cameras to be easily mounted on poles with a diameter between 50 mm and 105 mm. The pole mount adapter is made of stainless steel, is corrosion-resistant and robust, and can be easily combined with the wall mount adapter. It is ideal for industrial areas, onshore and offshore installations, maritime applications and heavy industry.

Technical Data

| General | |
|----------------------|--|
| Product Type | PMA-EC-912 PMB-VA0.x/VA1.x/VA2.x |
| Description | for EC-912 and IC-912 cameras and WB-EC-912-WMB-VA0.x/VA1.x wall mount adapter |
| Mechanical Data | |
| Version | Pole mount adapter |
| Type of installation | on poles with a diameter of 50 mm to 105 mm |
| Material | Stainless steel AISI 316L/1.4404 |
| Dimensions (WxHxD) | 160 mm x 180 mm x 210 mm (max.) |
| Point load | 50 kg |
| Weight | 3.8 kg |
| Weight | 8.38 lb |
| Scope of delivery | - 4x M10 x 210 threaded rod - 4x M10 x 25 screw - 12x M10 nut - 16x U10 washer Installation instructions - 1x M8 x 60 screw |

Dimensional Drawings (All Dimensions in mm [inches]) – Subject to Alterations



We reserve the right to make alterations to the technical data, dimensions, weights, designs and products available without notice. The illustrations cannot be considered binding.