



- Corrosion-resistant, extremely robust, easy to install
- Material: 316L stainless steel (1.4404)
- Compatible with cameras from the 912 series

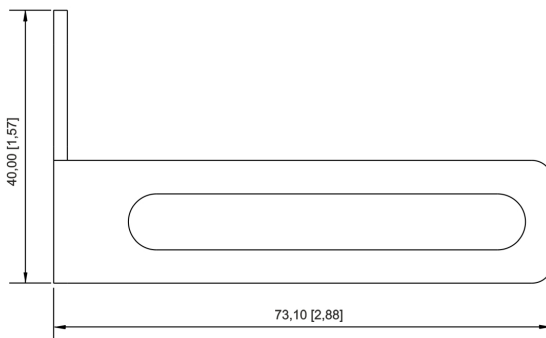
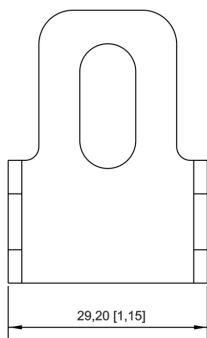
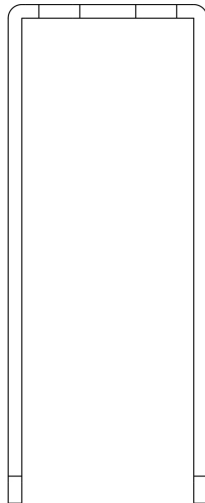
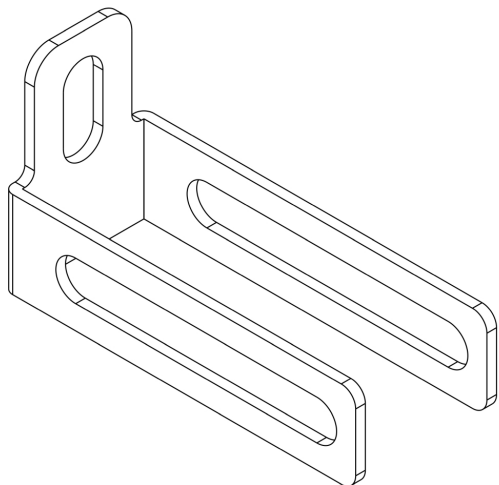
MY R. STAHL

With the inspection glass adapter, the cameras of the 912 series can be easily mounted on round sight glasses in accordance with DIN 28120/28221. The inspection glass adapter is made of stainless steel, corrosion-resistant and very robust.

Technical Data

General	
Product Type	HSG-IGH-EC-912 SCH-VA0.x/VA1.x
Description	for EC-912 and IC-912 cameras
Mechanical Data	
Version	Inspection glass adapter
Type of installation	on round sight glasses in accordance with DIN 28120/28121
Material	Stainless steel AISI 316L/1.4404
Dimensions (WxHxD)	29.2 mm x 40 mm x 73.1 mm
Weight	40 g
Weight	0.09 lb
Scope of delivery	- 1x M8 x 45 screw - 1x M8 nut - 1x F8 spring washer - 2x U8 washer Installation instructions

Dimensional Drawings (All Dimensions in mm [inches]) – Subject to Alterations



We reserve the right to make alterations to the technical data, dimensions, weights, designs and products available without notice. The illustrations cannot be considered binding.