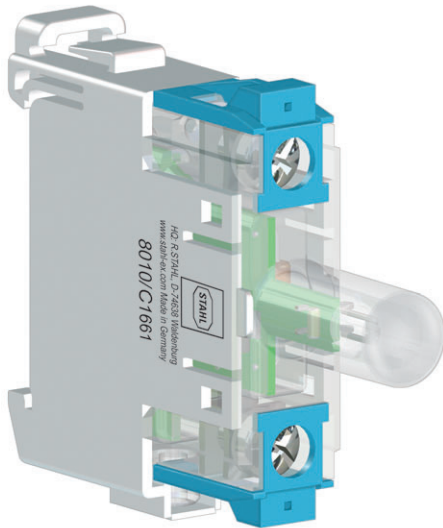


## LED Indicating Lamp Series 8010/C1661

STAHL



- > Indicating lamp with white LED
  - High luminance
  - Low heat build-up
  - Extremely long service life
  - Maintenance-free
- > Coloured lenses in red, yellow, green, blue, clear
- > For intrinsically safe circuits (single electrical equipment according to EN 60079-11)
- > Installation in Zone 1

E4



10023E

www.stahl.de






The indicating lamps of Series 8010 display the current state of a command by either switching on or switching off a light signal. In particular, they are suitable for operation on the 16 intrinsically safe outputs of the IS1+ Remote I/O module 9470/3. The indicating lamp contains a white LED. The light signal is displayed via a transparent indicating lamp actuator equipped with a diffuser lens. This makes it easy to detect a light signal even in poor light conditions. The signal colours red, yellow, green, blue and white are achieved by coloured lenses via colour filtering.

WebCode 8010B

# LED Indicating Lamp

## Series 8010/C1661

### Selection Table

Version	Description	Schematic	Colour	Order number	Weight kg
 11403E00 LED indicating lamp 8010/C1661	single electrical equipment for intrinsically safe circuits according to EN 60079-11	 08001E00	white	<b>8010 / C1661</b>	0,034
 01394E00 Lenses 8602A	--		red	<b>8602A0054-1-rt</b>	0.024
	--		yellow	<b>8602A0054-1-ge</b>	0.024
	--		green	<b>8602A0054-1-gn</b>	0.024
	--		blue	<b>8602A0054-1-bl</b>	0.024
	--		white	<b>8602A0054-1-ws</b>	0.024

### Explosion Protection

#### Europe (ATEX)

single electrical equipment for EPL Gb IIC T4  
 max. input power  $P_i$  35 mW

#### Certifications and certificates

##### Certificates

Manufacturer's declaration according to EN 60079-11:2012 chapter 5.7

### Technical Data

#### Electrical data

Rated operational voltage	$U_N = \text{typ. } 3 \text{ V}$
Frequency range	0 ... 60 Hz
Rated current	$I_N = 2 \dots 20 \text{ mA}$
Electrical life	$10^5$ lighting hours

#### Luminous characteristics

Lamps	LED
Colour	red, yellow, green, blue, white, via coloured lenses

#### Ambient conditions

Ambient temperature	-30 °C ... +65 °C
---------------------	-------------------

#### Mechanical data

Enclosure material	Polyamide
Terminals	0.75 mm <sup>2</sup> ... 2.5 mm <sup>2</sup> solid, stranded with core end sleeve

#### Lens

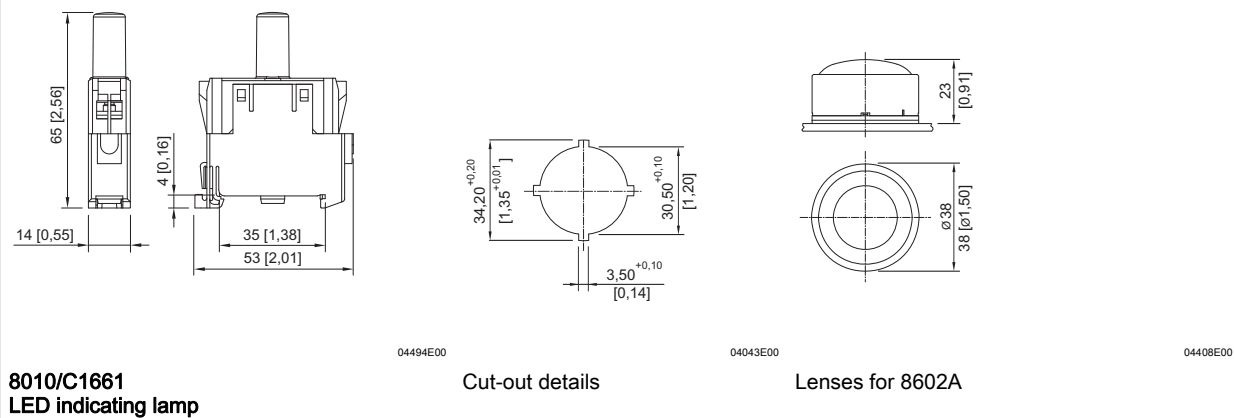
Version	∅ 38 mm, colour: red, yellow, green, blue and clear
Mechanical data	
Degree of protection	IP66
Material	Polyamide

# LED Indicating Lamp

## Series 8010/C1661



### Dimensional Drawings (All Dimensions in mm) - Subject to Alterations



We reserve the right to make alterations to the technical data, dimensions, weights, designs and products available without notice. The illustrations cannot be considered binding.

E4