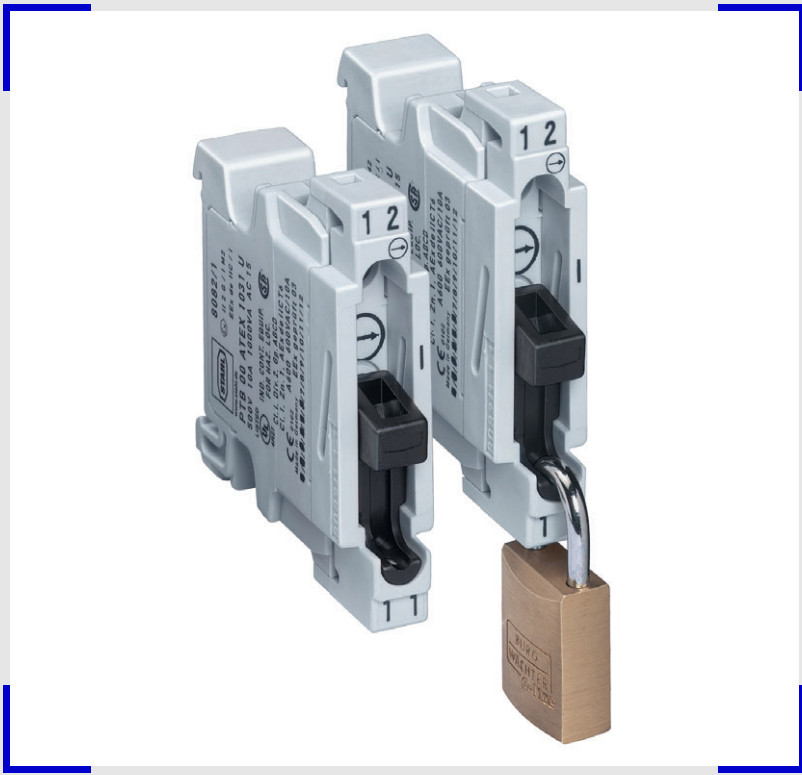


Isolating Terminal Series 8082



www.stahl.de



- > Single pole, NC contact positive opening operation
- > For installation in Ex e enclosure
- > Clear switch position indication
- > Actuator padlockable in zero position
- > For snap-mounting or screw fixing via adaptor
- > Connection cross-section: 0.75 ... 2.5 mm² single-wire / finely stranded
- > Enclosure made of polyamide

E3



02164E00

The isolating terminals of Series 8082 can be used to manually isolate circuits for maintenance and test purposes. The isolating terminals are mounted in Ex e enclosures and may be operated in energized condition even in explosion-protected areas. When the contact is open, the incoming line terminal is covered. The actuator can be padlocked in zero position according to IEC/EN 60947-5-1 with a padlock. The devices can be combined into blocks using special top hat rails, which can be found in the accessories.

ATEX / IECEx						Class I (NEC 505) (NEC 506)						Class I Class II Class III								
Zone	0	1	2	20	21	22	Zone	0	1	2	20	21	22	Division	1	2	1	2	1	2
For use in		x	x				For use in		x	x				For use in		x		x		

Explosion Protection	
Global (IECEx)	
Gas and mining	IECEx PTB 06.0011U Ex d e IIC Gb Ex de I Mb
Europe (ATEX)	
Gas and mining	PTB 00 ATEX 1031 U ⊕ II 2 G Ex d e IIC Gb ⊕ I M2 Ex de I Mb
Certifications and certificates	
Certificates	IECEx, ATEX, Brazil (INMETRO), India (PESO), Canada (CSA, cUL), USA (UL), Belarus (TR)

WebCode 8082B

Isolating Terminal

Series 8082

Selection Table

Version	Description	Order number	Weight kg
Isolating Terminal	1 NC, positive opening operation	8082/1-1-01	0.030
	1 NC, positive opening operation with gold contact	8082/1-1-11	0.030

Technical Data

Electrical data

Rated operational voltage	max. 550 V		
Rated operational current	AC-12: max. 10 A		
Switching capacity	AC-15	230 V / 6 A	400 V / 2.5 A
	DC-1	L/R = 1 ms 60 V / 4 A	110 V / 2.5 A
	DC-13	110 V / 2.5 A	2 contact elements, connected in series

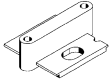

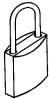
Ambient conditions

Ambient temperature at temperature class	T6: -60 ... +40 °C T4: -60 ... +55 °C -60 ... +70 °C on request
Operating temperature range	-60 ... +100 °C

Mechanical data

Enclosure material	Polyamide
Contact element	1 NC, positive opening
Contact material	silver-nickel, gold-plated
Operation	manual via actuating slide switch, padlockable in zero position (acc. to IEC/EN 60947-5-1)
Connection cross-section	0.75 ... 2.5 mm ² single-wire / finely stranded

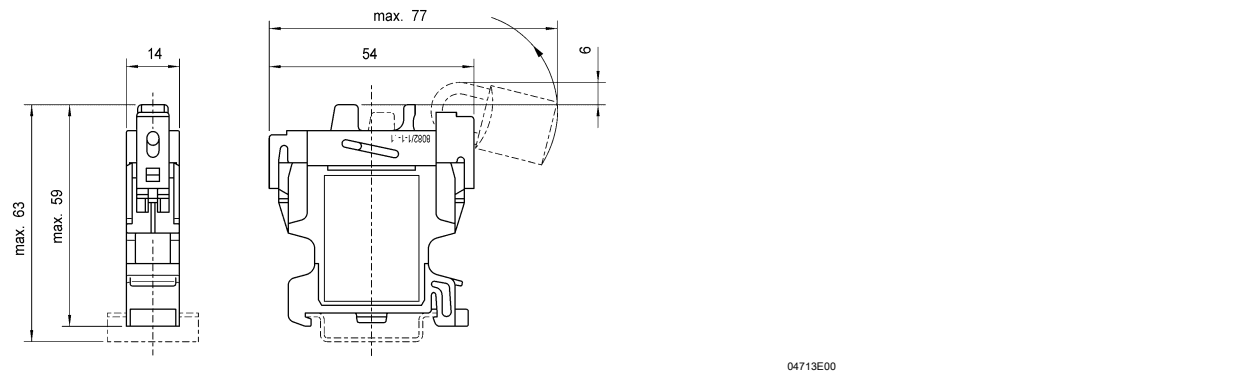
Accessories and Spare Parts

Designation	Figure	Description	Art. no.	Weight kg
Adaptor	 05614E00	made of moulded material, for screwing-in of 2 contact elements/ isolating terminals in Ex e enclosures, screw fastening, e. g. onto a mounting plate	132702	0.007
Top hat rails	 05597E00	to screw into Ex e enclosures; for snapping on of the isolating terminals		
		77 mm, for max. 5 devices	137812	0.024
		133 mm, for max. 9 devices	137819	0.040
		189 mm, for max. 13 devices	137827	0.060
		301 mm, for max. 21 devices	137834	0.094
Padlock	 05445E00	for locking in the switched-off state	107115	0.015

Isolating Terminal Series 8082



Dimensional Drawings (All Dimensions in mm) - Subject to Alterations



E3

We reserve the right to make alterations to the technical data, dimensions, weights, designs and products available without notice. The illustrations cannot be considered binding.