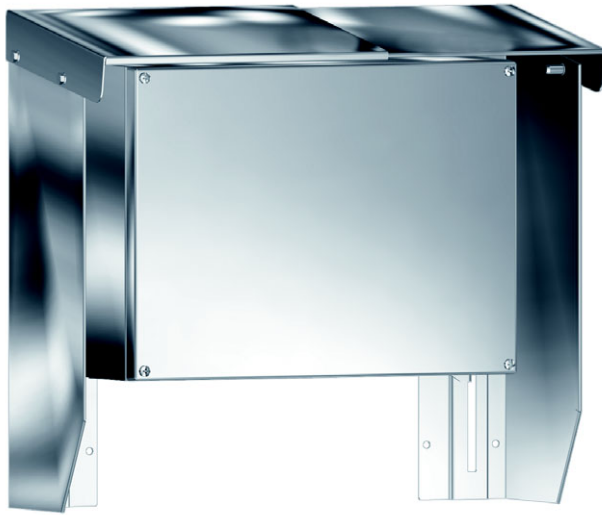


## Protective roof Series 8298/05

STAHL



- > Material
  - stainless steel
- > Suitable for 8125, 8150 series enclosures
- > Wall mounting
- > Pin/bolt system

www.stahl.de



17020T00

E9

The protective roof Series 8298/05 was designed for enclosure Series 8125 and 8150.

Due to the flexible and modular plug and screw system several enclosure sizes can be covered using only one assembly kit.

The protective roof consists of two side and two roof parts and can be easily and quickly installed to existing terminal and control boxes afterwards.

Various lengths and depths are available.

WebCode 8298B

# Protective roof

## Series 8298/05

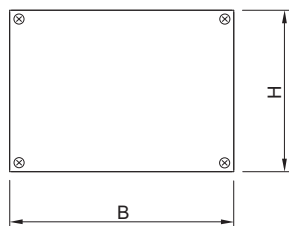
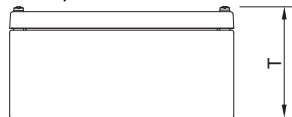
### Selection Table

Assembly	Art. no.	Weight
		kg
8298/05-111	226972	5.250
8298/05-121	226973	6.550
8298/05-131	226974	8.550
8298/05-211	226975	6.650
8298/05-221	226976	7.950
8298/05-231	226977	11.750
8298/05-112	226978	8.350
8298/05-122	226979	10.450
8298/05-132	226980	15.450
8298/05-212	226981	10.550
8298/05-222	226982	12.650
8298/05-232	226983	17.550

### Note

	8298/05	-...
Enclosure width (B)	176 > ... < 400 mm	-1..
	400 > ... < 800 mm	-2..
Enclosure height (H)	116 > ... < 360 mm	-1.
	360 > ... < 550 mm	-2.
	550 > ... < 1000 mm	-3.
Enclosure depth (T)	91 ... 150 mm	-.1
	230 ... 300 mm	-.2

Example:



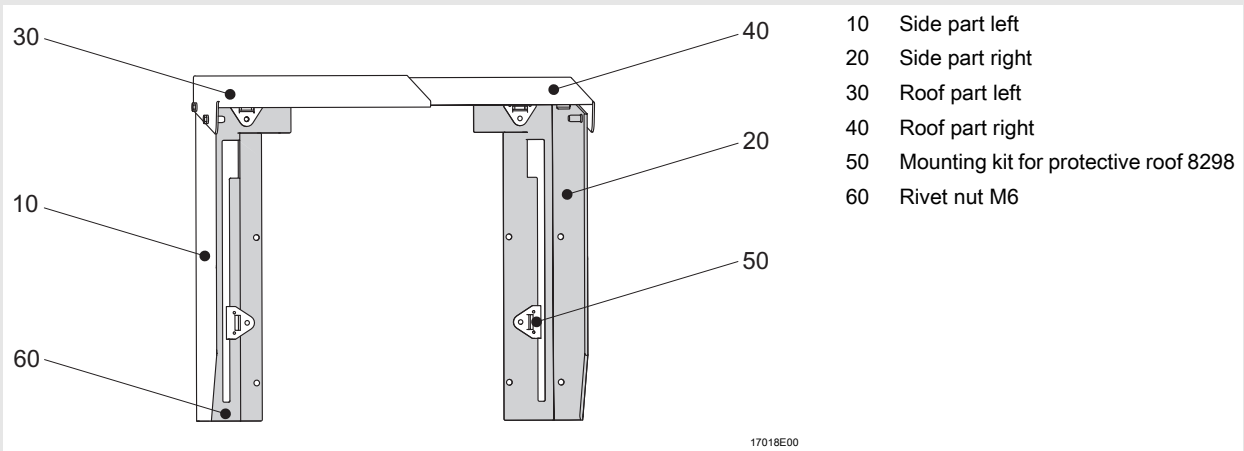
17019E00

### Technical Data

#### Mechanical data

Version	8298/05	Mounting kit
Material	Stainless steel 1.4404	Stainless steel 1.4404
Thickness	1.5 mm	2.5 mm
Protective conductor connection	M6 rivet nut	--

# Protective roof Series 8298/05



### Accessories and Spare Parts

Designation	Description	Art. no.	Weight
Mounting kit	Mounting kit for protective roof	230051	0,15 kg

We reserve the right to make alterations to the technical data, dimensions, weights, designs and products available without notice. The illustrations cannot be considered binding.