

Mounting Frame System Series 8298

STAHL



- > Material
 - Galvanized sheet steel
 - Stainless steel
- > Suitable for enclosure series 8125 and 8146
- > Wall or stationary assembly
- > Plug-in/screw system

www.stahl.de



02538E00

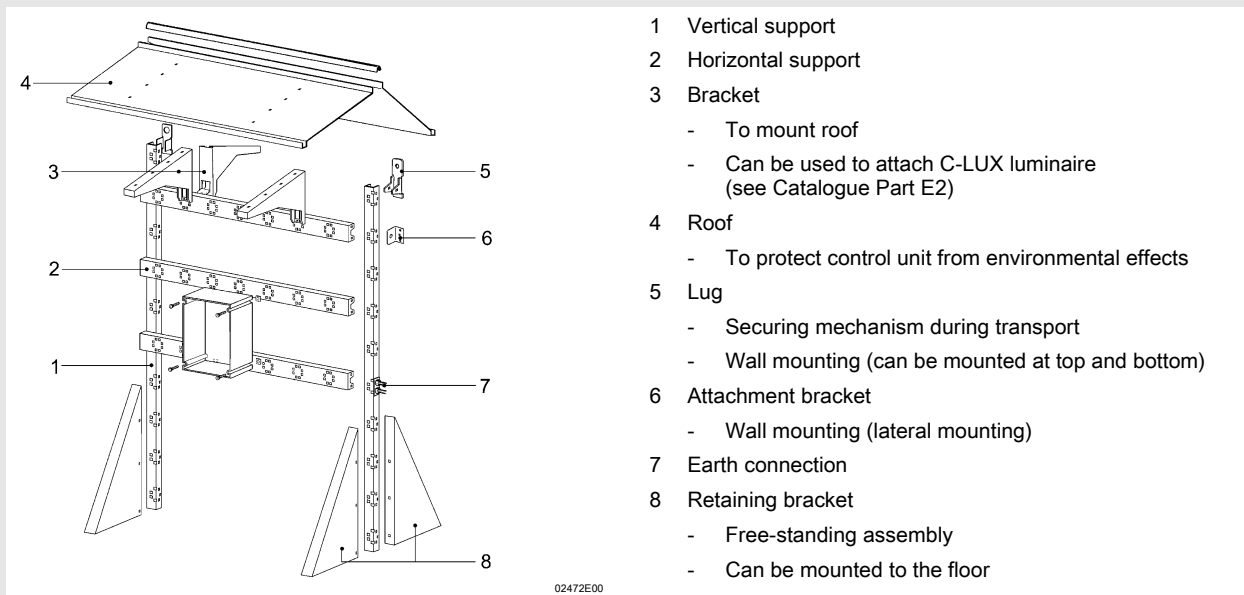
For transportation purposes and assembly on site, Ex e control and distribution units, which consist usually of a combination of several individual devices, must be attached to a frame. R. STAHL has developed the 8298 mounting frame system to meet these needs. It is suitable for both 8146 enclosure series (plastic) as well as the 8125 enclosure series (metal). The mounting frame system consists of standard parts which are fastened together using a pin/bolt technique. Horizontal and vertical supports, which can be combined as required, are available in several lengths.

E9

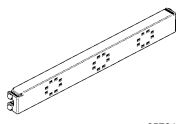
WebCode 8298A

Mounting Frame System

Series 8298



Selection Table



Version	Description					Art. no.	Weight kg		
Horizontal support  <small>05781E00</small>	Horizontal system components								
	for enclosure series	Horizontal support length [mm]	Horizontal support size	Material					
				Sheet steel	1 piece				
	8146	252	2	Sheet steel	1 piece			143946	0.849
				Stainless steel	1 piece			143947	0.001
		594	4	Sheet steel	1 piece			143879	1.780
				Stainless steel	1 piece			143890	1.820
		936	6	Sheet steel	1 piece			143883	2.760
				Stainless steel	1 piece			143893	2.780
		1278	8	Sheet steel	1 piece			143887	3.760
				Stainless steel	1 piece			143895	3.780
	8125	664	4	Sheet steel	1 piece			143897	1.930
				Stainless steel	1 piece			143903	1.960
		1011	6	Sheet steel	1 piece			143899	2.960
Stainless steel				1 piece	143905	3.030			
1378		8	Sheet steel	1 piece	143901	4.080			
			Stainless steel	1 piece	143907	4.100			

Mounting Frame System

Series 8298



Selection Table

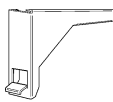
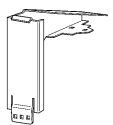
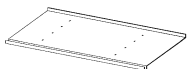
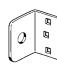
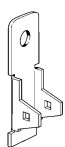

Version	Description				Art. no.	Weight kg		
Vertical support  05780E00	Vertical system components							
	for enclosure series	Vertical support length [mm]	Vertical support size	Material				
	8146	800	4	Sheet steel	1 piece	143851	2.000	
				Stainless steel	1 piece	143867	2.040	
		971	5	Sheet steel	1 piece	143926	2.440	
				Stainless steel	1 piece	143929	2.450	
		1142	6	Sheet steel	1 piece	143857	2.840	
				Stainless steel	1 piece	143872	2.850	
		1313	7	Sheet steel	1 piece	143930	3.285	
				Stainless steel	1 piece	143932	3.364	
		1484	8	Sheet steel	1 piece	143931	3.720	
				Stainless steel	1 piece	143933	3.822	
		1655	9	Sheet steel	1 piece	143862	4.250	
				Stainless steel	1 piece	143876	4.320	
		1997	11	Sheet steel	1 piece	143923	4.560	
				Stainless steel	1 piece	143924	4.600	
		8125	850	4	Sheet steel	1 piece	143911	2.180
					Stainless steel	1 piece	143917	2.270
	1033.5		5	Sheet steel	1 piece	143934	2.660	
				Stainless steel	1 piece	143938	2.700	
	1217		6	Sheet steel	1 piece	143913	3.200	
				Stainless steel	1 piece	143919	3.330	
	1400.5		7	Sheet steel	1 piece	143935	0.001	
				Stainless steel	1 piece	143939	3.685	
	1584		8	Sheet steel	1 piece	143936	4.245	
				Stainless steel	1 piece	143940	4.107	
	1767.5		9	Sheet steel	1 piece	143915	4.570	
				Stainless steel	1 piece	143921	4.760	
2134.5	11	Sheet steel	1 piece	143937	5.580			
		Stainless steel	1 piece	143941	5.500			
Retaining bracket  05782E00	As a base for stationary assembly; Can be mounted to the floor; Can be used for 8125 and 8146							
	Material							
	Sheet steel	1 piece	143855	2.740				
Stainless steel	1 piece	143870	2.780					

E9

Mounting Frame System

Series 8298

Selection Table

Version	Description	Art. no.	Weight kg																																																							
Bracket  05785E00  05786E00	To mount the roof to the carrier; Mounting option for luminaire; Can be used for 8125 and 8146	<table border="1"> <thead> <tr> <th>Version</th> <th>Material</th> <th></th> <th></th> </tr> </thead> <tbody> <tr> <td rowspan="2">For left side</td> <td>Sheet steel</td> <td>1 piece</td> <td>143839</td> </tr> <tr> <td>Stainless steel</td> <td>1 piece</td> <td>143874</td> </tr> <tr> <td rowspan="2">For right side</td> <td>Sheet steel</td> <td>1 piece</td> <td>143849</td> </tr> <tr> <td>Stainless steel</td> <td>1 piece</td> <td>143878</td> </tr> <tr> <td rowspan="2">For gable roof ¹⁾</td> <td>Sheet steel</td> <td>1 piece</td> <td>143881</td> </tr> <tr> <td>Stainless steel</td> <td>1 piece</td> <td>143885</td> </tr> </tbody> </table>		Version	Material			For left side	Sheet steel	1 piece	143839	Stainless steel	1 piece	143874	For right side	Sheet steel	1 piece	143849	Stainless steel	1 piece	143878	For gable roof ¹⁾	Sheet steel	1 piece	143881	Stainless steel	1 piece	143885																														
		Version	Material																																																							
		For left side	Sheet steel	1 piece	143839																																																					
			Stainless steel	1 piece	143874																																																					
		For right side	Sheet steel	1 piece	143849																																																					
			Stainless steel	1 piece	143878																																																					
		For gable roof ¹⁾	Sheet steel	1 piece	143881																																																					
Stainless steel	1 piece		143885																																																							
¹⁾ Bracket for gable roof can only be used together with a bracket for the left or right side!																																																										
Roof  05790E00	<table border="1"> <thead> <tr> <th>for enclosure series</th> <th>Length/Width [mm]</th> <th>Size</th> <th>Material</th> <th></th> <th></th> </tr> </thead> <tbody> <tr> <td rowspan="6">8146</td> <td rowspan="2">684/510</td> <td rowspan="2">4</td> <td>Sheet steel</td> <td>1 piece</td> <td>143835</td> </tr> <tr> <td>Stainless steel</td> <td>1 piece</td> <td>143859</td> </tr> <tr> <td rowspan="2">1026/510</td> <td rowspan="2">6</td> <td>Sheet steel</td> <td>1 piece</td> <td>143847</td> </tr> <tr> <td>Stainless steel</td> <td>1 piece</td> <td>143864</td> </tr> <tr> <td rowspan="2">1368/510</td> <td rowspan="2">8</td> <td>Sheet steel</td> <td>1 piece</td> <td>143853</td> </tr> <tr> <td>Stainless steel</td> <td>1 piece</td> <td>143869</td> </tr> <tr> <td rowspan="4">8125</td> <td rowspan="2">734/510</td> <td rowspan="2">4</td> <td>Sheet steel</td> <td>1 piece</td> <td>143873</td> </tr> <tr> <td>Stainless steel</td> <td>1 piece</td> <td>143884</td> </tr> <tr> <td rowspan="2">1101/510</td> <td rowspan="2">6</td> <td>Sheet steel</td> <td>1 piece</td> <td>143877</td> </tr> <tr> <td>Stainless steel</td> <td>1 piece</td> <td>143888</td> </tr> <tr> <td rowspan="2">1468/510</td> <td rowspan="2">8</td> <td>Sheet steel</td> <td>1 piece</td> <td>143880</td> </tr> <tr> <td>Stainless steel</td> <td>1 piece</td> <td>143891</td> </tr> </tbody> </table>	for enclosure series	Length/Width [mm]	Size	Material			8146	684/510	4	Sheet steel	1 piece	143835	Stainless steel	1 piece	143859	1026/510	6	Sheet steel	1 piece	143847	Stainless steel	1 piece	143864	1368/510	8	Sheet steel	1 piece	143853	Stainless steel	1 piece	143869	8125	734/510	4	Sheet steel	1 piece	143873	Stainless steel	1 piece	143884	1101/510	6	Sheet steel	1 piece	143877	Stainless steel	1 piece	143888	1468/510	8	Sheet steel	1 piece	143880	Stainless steel	1 piece	143891	
		for enclosure series	Length/Width [mm]	Size	Material																																																					
		8146	684/510	4	Sheet steel	1 piece	143835																																																			
					Stainless steel	1 piece	143859																																																			
			1026/510	6	Sheet steel	1 piece	143847																																																			
					Stainless steel	1 piece	143864																																																			
			1368/510	8	Sheet steel	1 piece	143853																																																			
					Stainless steel	1 piece	143869																																																			
		8125	734/510	4	Sheet steel	1 piece	143873																																																			
					Stainless steel	1 piece	143884																																																			
			1101/510	6	Sheet steel	1 piece	143877																																																			
					Stainless steel	1 piece	143888																																																			
		1468/510	8	Sheet steel	1 piece	143880																																																				
Stainless steel	1 piece			143891																																																						
Attachment bracket  05793E00	For wall mounting of the carrier, lateral; Can be used for 8125 and 8146	<table border="1"> <thead> <tr> <th>Material</th> <th></th> <th></th> </tr> </thead> <tbody> <tr> <td>Sheet steel</td> <td>1 piece</td> <td>143860</td> </tr> <tr> <td>Stainless steel</td> <td>1 piece</td> <td>143865</td> </tr> </tbody> </table>		Material			Sheet steel	1 piece	143860	Stainless steel	1 piece	143865																																														
		Material																																																								
		Sheet steel	1 piece	143860																																																						
Stainless steel	1 piece	143865																																																								
Lug  05784E00	For use as a transport lug and for wall mounting; can be used on the top and bottom for 8125 and 8146	<table border="1"> <thead> <tr> <th>Material</th> <th></th> <th></th> </tr> </thead> <tbody> <tr> <td>Sheet steel</td> <td>1 piece</td> <td>143845</td> </tr> <tr> <td>Stainless steel</td> <td>1 piece</td> <td>143909</td> </tr> </tbody> </table>		Material			Sheet steel	1 piece	143845	Stainless steel	1 piece	143909																																														
		Material																																																								
		Sheet steel	1 piece	143845																																																						
Stainless steel	1 piece	143909																																																								
Adapter  05789E00	for side-by-side mounting of two vertical supports; for insertion into the vertical support profiles; for increased stability	<table border="1"> <thead> <tr> <th>Material</th> <th></th> <th></th> </tr> </thead> <tbody> <tr> <td>Stainless steel</td> <td>1 piece</td> <td>143848</td> </tr> </tbody> </table>		Material			Stainless steel	1 piece	143848																																																	
		Material																																																								
Stainless steel	1 piece	143848																																																								

Mounting Frame System

Series 8298



Selection Table

Version		Description	Art. no.	Weight kg			
Screws	Pan head screw	M6x28 for 8146, enclosure mounting on horizontal support	Material	110933	0.010		
			Stainless steel				
Mush-room head screw	M8x20	for: Horizontal/vertical support assembly (2 pieces per joint), Roof bracket mounting on horizontal support (1 piece per bracket), Attachment bracket mounting on vertical support (2 pieces per bracket), Retaining bracket mounting on vertical support (4 pieces per bracket)	Material	109852	0.019		
			Steel, galvanized				
			Stainless steel			109853	0.015
			M8x60	for lug mounting on vertical support (1 piece per lug)	Material	109854	0.027
					Steel, galvanized		
					Stainless steel	109855	0.030
M8x110	for mounting 2 vertical supports side by side (1 piece per joint)	Material	109856	0.042			
		Steel, galvanized					
		Stainless steel	109857	0.049			
Hexagon screw	M6x16	for 8125, enclosure mounting on horizontal support	Material	109753	0.005		
			Steel, galvanized				
			Stainless steel	109829	0.005		
Cheese head screw	AM6x16	for roof mounting on roof bracket (4 pieces per roof bracket)	Material	110049	0.005		
			Stainless steel				
	AM6x25	for luminaire mounting on roof bracket (2 pieces per luminaire)	Material	110072	0.007		
			Stainless steel				

E9

Mounting Frame System

Series 8298

Selection Table

Version		Description	Art. no.	Weight kg	
Nuts	Cage nut	M6 for: Enclosure mounting on horizontal support, roof mounting on roof bracket, luminaire mounting on roof bracket	Material		
			Steel, galvanized	110594	0.005
			Stainless steel	110604	0.001
	Hexagon nut	M8 for: Horizontal/vertical support mounting, lug mounting on vertical support, roof bracket mounting on horizontal support, attachment bracket mounting on floor stand, Retaining bracket mounting on the floor stand	Material		
			Steel, galvanized	110609	0.005
			Stainless steel	110819	0.004
Discs	Serrated lock washer	A8,2 for retaining bracket mounting on vertical support	Material		
			Stainless steel	110832	0.006
	Disc	A6,4 for luminaire mounting on roof bracket	Material		
			Stainless steel	110884	0.002
Spring washer	B6 for luminaire mounting on roof bracket	Material			
		Stainless steel	110600	0.001	
	B8 for: Horizontal/vertical support assembly, lug mounting on vertical support, roof bracket mounting on horizontal support, attachment bracket mounting on floor stand	Material			
		Stainless steel	110601	0.002	
Screw locking	M6 for roof mounting on roof bracket	Material			
		Nylon	110846	0.000	

Mounting Frame System Series 8298

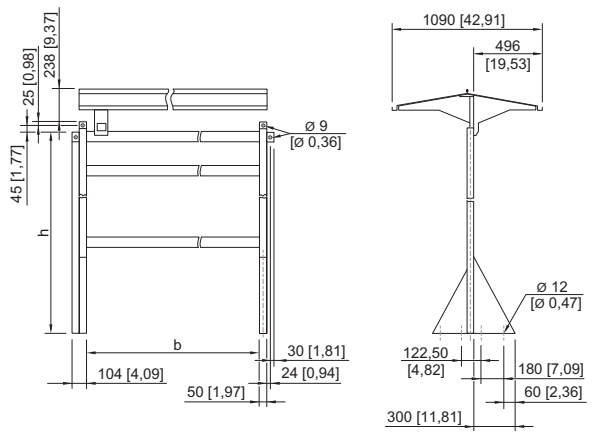


Technical Data

Mechanical data

Version	8298/01-051	8298/01-061	8298/01-052	8298/01-062
Enclosures	8125	8146	8125	8146
Material	Sheet steel, galvanised		Stainless steel 1.4301	
Material	Sheet steel, galvanised		Stainless steel 1.4301	
Angle, supports	U-beam 2,5 mm thick			
Roof	Shaped sheet metal 1,5 mm thick			
Angle brackets	Shaped sheet metal 2,5 mm thick			
Fixing brackets	Shaped sheet metal 4 mm thick			

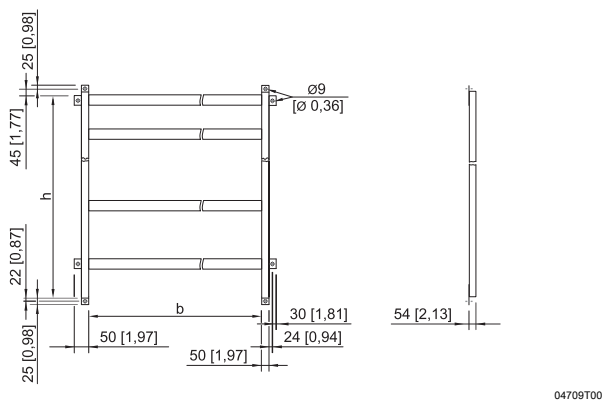
Dimensional drawings (all dimensions in mm [inches]) – Subject to modifications



Carrier for stationary assembly

04708T00

		Carrier for system	
		8146	8125
h	Vertical support 4	800	850
	Vertical support 5	971	1033.5
	Vertical support 6	1142	1217
	Vertical support 9	1655	1767.5
	Vertical support 11	1997	2134.5
b	Horizontal support 4	594	664
	Horizontal support 6	936	1011
	Horizontal support 8	1278	1378



Carrier for wall mounting

04709T00

		Carrier for system	
		8146	8125
h	Vertical support 4	800	850
	Vertical support 5	971	1033.5
	Vertical support 6	1142	1217
	Vertical support 9	1655	1767.5
	Vertical support 11	1997	2134.5
b	Horizontal support 4	594	664
	Horizontal support 6	936	1011
	Horizontal support 8	1278	1378

E9

We reserve the right to make alterations to the technical data, dimensions, weights, designs and products available without notice. The illustrations cannot be considered binding.