

- For connecting 4 fieldbus devices in Zone 1
- Operation on a high-power trunk
- Reduced start-up current thanks to power management and short-circuit limiting with disconnection

A5

## MY R. STAHL 9411B



Series 9411/11 Ex e field device couplers for Zone 1 are used for interference-free connection of up to 4 Foundation Fieldbus H1 or PROFIBUS PA field devices to the high-power trunk. The spurs with the e type of protection can be used for fieldbus devices in Zone 1 (d, q, m) and are protected by a short-circuit limiting function. The integrated power management minimises start-up and short-circuit currents. Available with screw or spring clamp terminals.

	IECEX / ATEX					
	0	1	2	20	21	22
<b>Zone</b>						
<b>Ex interface</b>		•				
<b>Installation in</b>			•			•

	NEC® 500 CE Code Appendix J					
	Class I		Class II		Class III	
	1	2	1	2	1	2
<b>Division</b>						
<b>Ex interface</b>		•		•		•
<b>Installation in</b>		•		•		•

	CE Code Section 18					
	NEC® 505			NEC® 506		
	Class I					
	0	1	2	20	21	22
<b>Zone</b>						
<b>Ex interface</b>		•			•	
<b>Installation in</b>		•			•	

Selection Table					
Product Description	ISbus fieldbus technology Field device coupler, 4 spurs For Zone 1 Ex e				
Spurs connections	Product Type	Spurs connection type		Art. No.	Weight
4	9411/11-210-30	Screw terminals		161849	920 g
Field enclosure made of polyester or stainless steel: Customer-specific solutions on request					

Technical Data	
<b>Explosion Protection</b>	
IECEX gas explosion protection	Ex mb e IIC T4 Gb
ATEX gas explosion protection	Ⓔ II 2 G Ex mb e IIC T4 Gb
Certificates	ATEX (BVS), Brazil (ULB), Canada (FM), IECEx (BVS), International (FF), USA (FM)
<b>Auxiliary Power</b>	
Max. power dissipation	1.1 W
Notes	Auxiliary power not required; the field device coupler is supplied from the trunk
<b>Input</b>	
Voltage range	9 – 32 V
<b>Output</b>	
Max. continuous output current DC	41 mA
<b>Ambient Conditions</b>	
Ambient temperature	-40°C ... +75°C

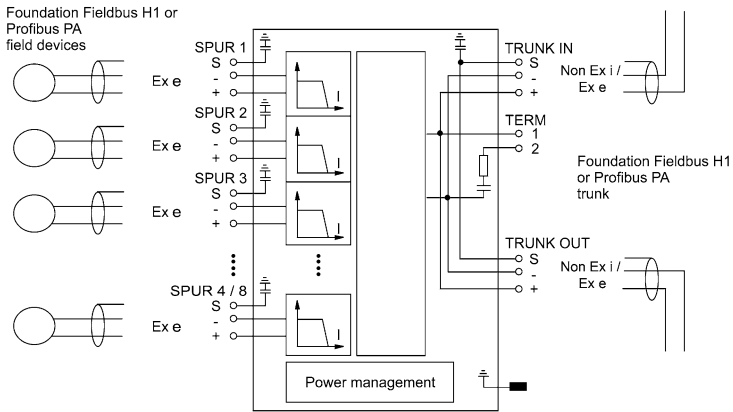
## Technical Data

### Mechanical Data

Field enclosure Without, DIN rail mounting



Dimensional Drawings on the Internet [r-stahl.com](http://r-stahl.com)

## Technical Drawings – Subject to Alterations



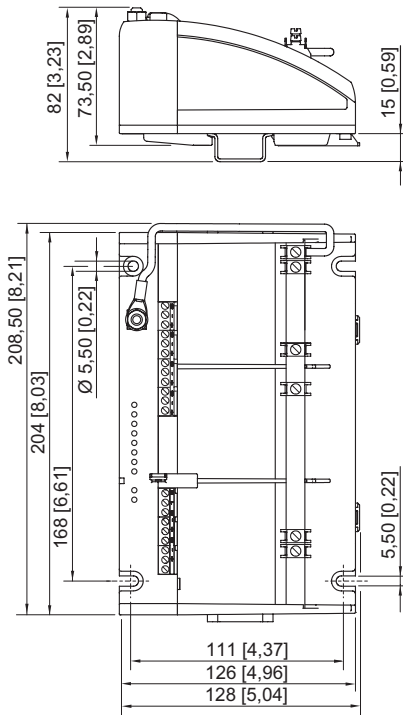
Connection diagram 9411/11

## Accessories

Figure	Description	Art. No.	Weight
<b>Earthing rail set for 4 spurs</b>			
	9411 earthing rail with spring clamp clips	202774	128 g
<b>Fieldbus wizard engineering tool</b>			
	Engineering tool for project engineering for Foundation Fieldbus or PROFIBUS PA fieldbus segments Download from <a href="http://r-stahl.com">r-stahl.com</a>	-	-

Dimensional Drawings (All Dimensions in mm [inches]) – Subject to Alterations

A5



Field device coupler, 4 spurs, without enclosure