



- Optional: Pluggable, easily retrofittable Ex e or Ex i auxiliary contacts for control and signalling purposes
- Motor switching capacity AC-3 as per IEC/EN 60947-3
- Variants for use in the USA/Canada available on request
- Wide temperature range for use
- High mechanical impact and shock resistance
- Perfect protection against the ingress of liquids and dust
- 3D data available to download from the website

E3

WebCode **8570A**



R. STAHL Series 8570/11 SolConeX sockets for Zone 1/21 in a 3-, 4- and 5-pole version have full AC-3 switching capacity up to 16 A. The high degree of protection IP66 guarantees the highest level of protection against the penetration of dust and water in any application position. Self-cleaning lamellar contacts provide optimum contact and the plugs can be inserted and removed in the zero position quickly and easily. The load disconnect switch, with mechanical locking device and a handle that can be locked in the 0 or I position, is an additional safety feature.

|                 | IECEX / ATEX |   |   |    |    |    |
|-----------------|--------------|---|---|----|----|----|
| Zone            | 0            | 1 | 2 | 20 | 21 | 22 |
| Installation in |              | • | • |    | •  | •  |

| Selection Table                        |                                       |                              |                           |             |                 |              |          |           |
|--|---------------------------------------|------------------------------|---------------------------|-------------|-----------------|--------------|----------|-----------|
| Product Description<br>Product variant | Wall-mounting socket 16 A<br>Standard |                              |                           |             |                 |              |          |           |
| Figure                                 | Detailed number of poles              | Coding (clock hour position) | Rated operational voltage | Colour code | Frequency range | Product Type | Art. No. | Weight kg |
|  | 1 P + N + PE                          | 4                            | 100 to 130 V AC           | Yellow      | 50 / 60 Hz      | 8570/11-304  | 150598 ▲ | 1.120     |
|  |                                       | 5                            | 277 V AC                  | Light grey  | 60 Hz           | 8570/11-305  | 150582   | 1.120     |
|  | 2 P + PE                              | 2                            | > 50 V AC                 | Green       | > 300 – 500 Hz  | 8570/11-302  | 150594   | 1.120     |
|  |                                       | 3                            | > 50 to 110 V DC          | Light grey  | –               | 8570/11-303  | 150590 ■ | 1.120     |
|  |                                       | 7                            | 480 to 500 V AC           | Black       | 50 / 60 Hz      | 8570/11-307  | 150586 ■ | 1.120     |
|  |                                       | 9                            | 380 to 415 V AC           | Red         | 50 / 60 Hz      | 8570/11-309  | 218317   | 1.120     |
|  | 3 P + N + PE                          | 3                            | 220/380 V AC              | Red         | 50 Hz           | 8570/11-503  | 218312 ■ | 1.450     |
|  |                                       | 4                            | 57/100 to 75/130 V AC     | Yellow      | 50 / 60 Hz      | 8570/11-504  | 218313 ■ | 1.450     |
|  |                                       | 5                            | 347/600 to 400/690 V AC   | Black       | 50 / 60 Hz      | 8570/11-505  | 150527 ■ | 1.450     |
|  |                                       | 6                            | 200/346 to 240/415 V AC   | Red         | 50 / 60 Hz      | 8570/11-506  | 150494 ▲ | 1.450     |
|  |                                       | 7                            | 277/480 to 288/500 V AC   | Black       | 50 / 60 Hz      | 8570/11-507  | 150508 ■ | 1.450     |
|  |                                       | 9                            | 120/208 to 144/250 V AC   | Blue        | 50 / 60 Hz      | 8570/11-509  | 150518 ■ | 1.450     |
|  |                                       | 11                           | 250/440 to 265/460 V AC   | Red         | 60 Hz           | 8570/11-511  | 150538   | 1.450     |

**Selection Table**

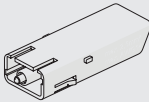

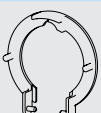
| Product Description<br>Product variant                       |                          | Wall-mounting socket 16 A<br>Standard  |                           |             |                 |                  |          |           |
|--|--------------------------|--|---------------------------|-------------|-----------------|------------------|----------|-----------|
| Figure   | Detailed number of poles | Coding (clock hour position)   | Rated operational voltage | Colour code | Frequency range | Product Type     | Art. No. | Weight kg |
|  | 3 P + PE                 | 2  | > 50 V AC                 | Green       | > 300 – 500 Hz  | 8570/11-402      | 218315   | 1.350     |
|  |                          | 3  | 380 V AC                  | Red         | 50 Hz           | 8570/11-403      | 218314   | 1.350     |
|  |                          | 4  | 100 to 130 V AC           | Yellow      | 50 / 60 Hz      | 8570/11-404      | 218316 ■ | 1.350     |
|  |                          | 5  | 600 to 690 V AC           | Black       | 50 / 60 Hz      | 8570/11-405      | 150562 ■ | 1.350     |
|  |                          | 6  | 380 to 415 V AC           | Red         | 50 / 60 Hz      | 8570/11-406      | 150550 ▲ | 1.350     |
|  |                          | 7  | 480 to 500 V AC           | Black       | 50 / 60 Hz      | 8570/11-407      | 150554 ■ | 1.350     |
|  |                          | 9  | 200 to 250 V AC           | Blue        | 50 / 60 Hz      | 8570/11-409      | 150558 ■ | 1.350     |
|  |                          | 10   | > 50 V AC                 | Green       | 100 – 300 Hz    | 8570/11-410      | 150570   | 1.350     |
|  |                          | 11   | 440 to 460 V AC           | Red         | 60 Hz           | 8570/11-411      | 150566   | 1.350     |
| Product Description<br>Product variant<br>Auxiliary contacts |                          | Wall-mounting socket 16 A<br>Variants with auxiliary contact<br>1 (1 NO)                               |                           |             |                 |                  |          |           |
| Figure   | Detailed number of poles | Coding (clock hour position)   | Rated operational voltage | Colour code | Frequency range | Product Type     | Art. No. | Weight kg |
|  | 2 P + PE                 | 6  | 200 to 250 V AC           | Blue        | 50 / 60 Hz      | 8570/11-306-S001 | 166609 ■ | 1.120     |
|  | 3 P + N + PE             | 6  | 200/346 to 240/415 V AC   | Red         | 50 / 60 Hz      | 8570/11-506-S001 | 218964 ■ | 1.600     |
|  | 3 P + PE                 | 5  | 600 to 690 V AC           | Black       | 50 / 60 Hz      | 8570/11-405-S001 | 218963   | 1.350     |
|  |                          | 6  | 380 to 415 V AC           | Red         | 50 / 60 Hz      | 8570/11-406-S001 | 218960 ■ | 1.350     |
|  |                          | 7  | 480 to 500 V AC           | Black       | 50 / 60 Hz      | 8570/11-407-S001 | 166608   | 1.350     |
| Product Description<br>Product variant                       |                          | Wall-mounting socket 16 A<br>Variants with metal earth plate for double metal insert and stopping plug |                           |             |                 |                  |          |           |
| Figure   | Detailed number of poles | Coding (clock hour position)   | Rated operational voltage | Colour code | Frequency range | Product Type     | Art. No. | Weight kg |
|  | 1 P + N + PE             | 4  | 100 to 130 V AC           | Yellow      | 50 / 60 Hz      | 8570/11-304-S011 | 203141   | 1.120     |
|  |                          | 4  | 100 to 130 V AC           | Yellow      | 50 / 60 Hz      | 8570/11-304-S019 | 218955   | 1.120     |
|  | 2 P + PE                 | 6  | 200 to 250 V AC           | Blue        | 50 / 60 Hz      | 8570/11-306-S011 | 203090 ▲ | 1.120     |
|  |                          | 6  | 200 to 250 V AC           | Blue        | 50 / 60 Hz      | 8570/11-306-S019 | 214065 ▲ | 1.120     |
|  | 3 P + N + PE             | 6  | 200/346 to 240/415 V AC   | Red         | 50 / 60 Hz      | 8570/11-506-S020 | 214067 ■ | 1.450     |
|  | 3 P + PE                 | 5  | 600 to 690 V AC           | Black       | 50 / 60 Hz      | 8570/11-405-S020 | 218962   | 1.350     |
|  |                          | 6  | 380 to 415 V AC           | Red         | 50 / 60 Hz      | 8570/11-406-S012 | 203142 ■ | 1.350     |
|  |                          | 6  | 380 to 415 V AC           | Red         | 50 / 60 Hz      | 8570/11-406-S020 | 214066 ■ | 1.350     |
|  |                          | 7  | 480 to 500 V AC           | Black       | 50 / 60 Hz      | 8570/11-407-S020 | 218961   | 1.350     |
|  |                          | 9  | 200 to 250 V AC           | Blue        | 50 / 60 Hz      | 8570/11-409-S020 | 218959   | 1.350     |

Variants with temperature range of -50 ... +55 °C available on request; silicone is used as a sealing material

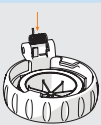
E3

| Technical Data                          |   |  |  |  |
|---|---|--|--|--|
| Variant                                 | 8570/11-...   | 8570/11-...-S001   | 8570/11-...-S011<br>8570/11-...-S012   | 8570/11-...-S019<br>8570/11-...-S020   |
| <b>Explosion Protection</b>             |   |  |  |  |
| IECEX gas explosion protection          | Ex db eb IIC T6 Gb  | Ex db eb IIC T6 Gb   | Ex db eb IIC T6 Gb   | Ex db eb IIC T6 Gb   |
| IECEX dust explosion protection         | Ex tb IIIC T80 °C Db  | Ex tb IIIC T80 °C Db   | Ex tb IIIC T80 °C Db   | Ex tb IIIC T80 °C Db   |
| ATEX gas explosion protection           | Ⓜ II 2 G Ex db eb IIC T6 Gb   | Ⓜ II 2 G Ex db eb IIC T6 Gb  | Ⓜ II 2 G Ex db eb IIC T6 Gb  | Ⓜ II 2 G Ex db eb IIC T6 Gb  |
| ATEX dust explosion protection          | Ⓜ II 2 D Ex tb IIIC T80 °C Db   | Ⓜ II 2 D Ex tb IIIC T80 °C Db  | Ⓜ II 2 D Ex tb IIIC T80 °C Db  | Ⓜ II 2 D Ex tb IIIC T80 °C Db  |
| Certificates                            | ATEX (PTB), IECEX (PTB), Korea (KGS), Taiwan (ITRI)   | ATEX (PTB), IECEX (PTB), Korea (KGS), Taiwan (ITRI)                              | ATEX (PTB), IECEX (PTB), Korea (KGS), Taiwan (ITRI)                              | ATEX (PTB), IECEX (PTB), Korea (KGS), Taiwan (ITRI)                              |
| <b>Electrical Data</b>                  |   |  |  |  |
| Rated operational current               | 16 A  | 16 A   | 16 A   | 16 A   |
| Rated operational current note          | Optional up to 20 A   | Optional up to 20 A  | Optional up to 20 A  | Optional up to 20 A  |
| Switching capacity main contacts        | 4 kW: 220 / 230 / 240 V<br>7.5 kW: 380 / 400 / 415 / 500 V<br>11 kW: 600 / 690 V  | 4 kW: 220 / 230 / 240 V<br>7.5 kW: 380 / 400 / 415 / 500 V<br>11 kW: 600 / 690 V | 4 kW: 220 / 230 / 240 V<br>7.5 kW: 380 / 400 / 415 / 500 V<br>11 kW: 600 / 690 V | 4 kW: 220 / 230 / 240 V<br>7.5 kW: 380 / 400 / 415 / 500 V<br>11 kW: 600 / 690 V |
| Notes                                   | The current must be reduced to 12 A for frequencies ≥ 100 Hz  |  |  |  |
| <b>Device Specific Data</b>             |   |  |  |  |
| Back-up fuse with thermal protection    | 35 A gG   | 35 A gG  | 35 A gG  | 35 A gG  |
| Back-up fuse without thermal protection | 16 A gG   | 16 A gG  | 16 A gG  | 16 A gG  |
| <b>Ambient Conditions</b>               |   |  |  |  |
| Ambient temperature                     | -30 °C ... +55 °C (T6, 16 A)  | -30 °C ... +55 °C (T6, 16 A)   | -30 °C ... +55 °C (T6, 16 A)   | -30 °C ... +55 °C (T6, 16 A)   |
| Notes                                   | Variants with a temperature range from -50 to +55 °C available on request; silicone as sealing material<br>For further information, see the operating instructions. |  |  |  |
| <b>Mechanical Data</b>                  |   |  |  |  |
| Interlock                               | 2-pole switch (1 P + N)<br>2 optional auxiliary contacts (ON - delayed, OFF - leading)  | 4-pole switch<br>2 optional auxiliary contacts (ON - delayed, OFF - advanced)    | 2 pole switch<br>2 optional auxiliary contacts (ON - delayed, OFF - advanced)    | 2 pole switch<br>2 optional auxiliary contacts (ON - delayed, OFF - advanced)    |
| IP degree of protection (IEC 60529)     | IP66  | IP66   | IP66   | IP66   |
| IP degree of protection (IEC 60079)     | IP66  | IP66   | IP66   | IP66   |
| Enclosure material                      | Polyamide, Glass fibre reinforced   | Polyamide, Glass fibre reinforced  | Polyamide, Glass fibre reinforced  | Polyamide, Glass fibre reinforced  |
| Silicone-free                           | Yes   | Yes  | Yes  | Yes  |
| Impact strength (IEC 60079)             | 7 J   | 7 J  | 7 J  | 7 J  |
| Impact strength (IEC 62262)             | IK10  | IK10   | IK10   | IK10   |
| Lockable in                             | in 0- and I-position  | in 0- and I-position   | in 0- and I-position   | in 0- and I-position   |
| <b>Components</b>                       |   |  |  |  |
| Cable entry note                        | Entry 1: Lower left<br>Entry 2: Lower right   | Entry 1: Lower left<br>Entry 2: Lower right                                      | Entry 1: Lower left<br>Entry 2: Lower right                                      | Entry 1: Lower left<br>Entry 2: Lower right                                      |
| Entry 1 model                           | 8161/7-M25-1707   | 8161/7-M25-1707  | 8290/3-M25   | Can be ordered as accessories  |
| Entry 1 type                            | Polyamide cable gland   | Polyamide cable gland  | Polyamide stopping plug  |  |
| Entry 1                                 | M25 x 1.5   | M25 x 1.5  | M25 x 1.5  | M20 x 1.5  |
| Entry 1 terminal area                   | 7 – 17 mm   | 7 – 17 mm  |  |  |
| Entry 2 model                           | 8290/3-M25  | 8161/7-M25-1707 with plug  | 8290/3-M25   | 8290/3-M20   |
| Entry 2 type                            | Polyamide stopping plug   | Polyamide cable gland  | Polyamide stopping plug  | Polyamide stopping plug  |
| Entry 2                                 | M25 x 1.5   | M25 x 1.5  | M25 x 1.5  | M20 x 1.5  |
| Entry 2 terminal area                   |   | 7 – 17 mm  |  |  |
| Notes                                   | Metal insert: Contains a brass plate with threaded holes<br>Cable gland position: Bottom (standard); optionally also possible on the top or lateral                 |  |  |  |

**Accessories**

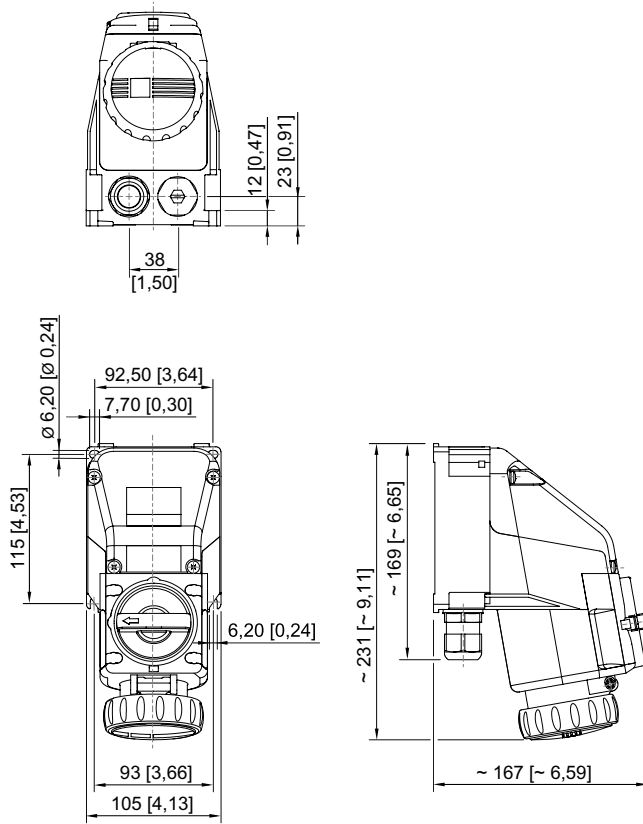
| Figure  | Description   | Art. No. | Weight kg |
|---|---|----------|-----------|
| Auxiliary contact optional, can be connected by the user, easy to retrofit          |   |          |           |
|    | 1 NC<br>max. 500 V AC, max. 110 V DC<br>max. 6 A<br>1 x 0.5 to 2 x 2.5 mm <sup>2</sup> solid/finely stranded                      | 150680 ■ | 0.125     |
|   | 1 NC, gold-plated contact<br>max. 500 V AC, max. 110 V DC<br>max. 6 A<br>1 x 0.5 to 2 x 2.5 mm <sup>2</sup> solid/finely stranded | 150684 ■ | 0.125     |
|   | 1 NO<br>max. 500 V AC, max. 110 V DC<br>max. 6 A<br>1 x 0.5 to 2 x 2.5 mm <sup>2</sup> solid/finely stranded                      | 150682 ■ | 0.125     |
|   | 1 NO, gold-plated contact<br>max. 500 V AC, max. 110 V DC<br>max. 6 A<br>1 x 0.5 to 2 x 2.5 mm <sup>2</sup> solid/finely stranded | 150686 ■ | 0.125     |
| Dust cover for 16 A wall-mounting sockets, series 8570                              |   |          |           |
|    | Retrofittable dust protection for 3-pole sockets  | 253118   | 0.006     |
|   | Retrofittable dust protection for 5-pole sockets  | 255004   | 0.008     |
| Dust cover for 8570 series 16 A wall-mounting sockets                               |   |          |           |
|  | Retrofittable dust protection for 4-pole sockets  | 255003   | 0.008     |

**Spare Parts**

| Figure  | Description                                     | Art. No. | Weight kg |
|---|---|----------|-----------|
| Repair set for 8570 series 16 A sockets   |   |          |           |
|  | 8570 3-pole hinged cover repair set, black      | 274119   | 0.095     |
|   | 8570 3-pole hinged cover repair set, blue       | 274116   | 0.095     |
|   | 8570 3-pole hinged cover repair set, green      | 274115   | 0.095     |
|   | 8570 3-pole hinged cover repair set, light grey | 274121   | 0.095     |
|   | 8570 3-pole hinged cover repair set, red        | 274118   | 0.095     |
|   | 8570 3-pole hinged cover repair set, yellow     | 274117   | 0.095     |
|   | 8570 4-pole hinged cover repair set, black      | 274114   | 0.115     |
|   | 8570 4-pole hinged cover repair set, blue       | 274111   | 0.115     |
|   | 8570 4-pole hinged cover repair set, green      | 274110   | 0.115     |
|   | 8570 4-pole hinged cover repair set, red        | 274113   | 0.115     |
|   | 8570 4-pole hinged cover repair set, yellow     | 274112   | 0.115     |
|   | 8570 5-pole hinged cover repair set, black      | 274109   | 0.125     |
|   | 8570 5-pole hinged cover repair set, blue       | 274106   | 0.125     |
|   | 8570 5-pole hinged cover repair set, red        | 274108   | 0.125     |
|   | 8570 5-pole hinged cover repair set, yellow     | 274107   | 0.125     |

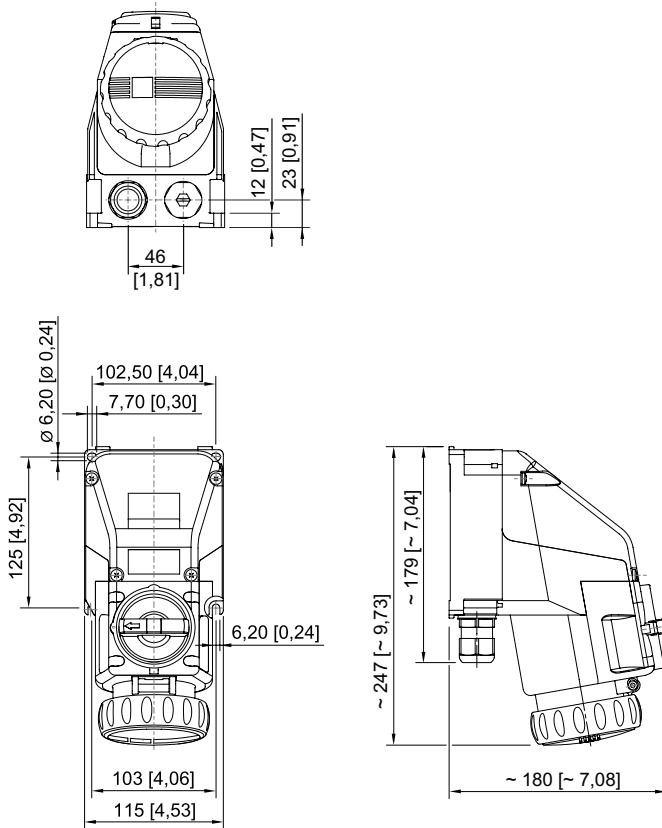
Dimensional Drawings (All Dimensions in mm [inches]) – Subject to Alterations

E3



3-pole wall-mounting socket

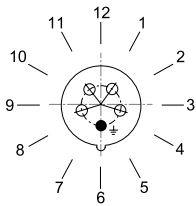
E3



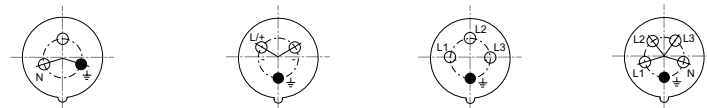
4-pole/5-pole wall-mounting socket

### Arrangement of earth contact sleeves

Time position  
Example: 6h position



### Arrangement of socket contacts and terminal markings



1 P + N + PE      2 P + PE      3 P + PE      3 P + N + PE

Arrangement of the socket contacts and terminal markings in the 6h position  
(view from the front side of the socket to the socket contacts)