



- Ex d enclosure in 3 sizes, pre-mounted with threads and DIN rails for standard terminals
- Enclosure holes for quick and easy mounting
- Also suitable for versions with electronic components and relays

E3

MY R. STAHL 8252A



The new R. STAHL Series 8252/1 Ex d terminal boxes are made of seawater-resistant, copper-free aluminium casting alloy. The DIN rail is pre-mounted; in addition, the enclosures can be configured flexibly: Three sizes, 3, 4 or 5 hubs, metric or NPT thread – and always individually equipped, also with electronic components and relays.

IECEX / ATEX	
Zone	0 1 2 20 21 22
Installation in	• • • • •

Selection Table								
Enclosure size		2						
Dimensions (WxHxD)		106 x 106 x 76 mm						
Figure	Floor openings (BASE)	Right openings (0°)	Top openings (90°)	Left openings (180°)	Bottom openings (270°)	Product Type	Art. No.	Weight
	without entry & without adaptor	M20	M20	M20	without entry & without adaptor	8252/12-0BBBB0-111	215181	590 g
		M25	M25	M25	without entry & without adaptor	8252/12-0CCCC0-111	215182	570 g
		NPT1	NPT1	NPT1	without entry & without adaptor	8252/12-0JJJ0-111	215145	530 g
		NPT1/2	NPT1/2	NPT1/2	without entry & without adaptor	8252/12-0HHH0-111	215143	590 g
		NPT3/4	NPT3/4	NPT3/4	without entry & without adaptor	8252/12-0IIII0-111	215144	550 g
	without entry & without adaptor	M20	M20	M20	M20	8252/12-0BBBBB-111	215186	640 g
		M25	M25	M25	M25	8252/12-0CCCC-111	215187	610 g
		NPT1	NPT1	NPT1	NPT1	8252/12-0JJJJ-111	215150	550 g
		NPT1/2	NPT1/2	NPT1/2	NPT1/2	8252/12-0HHHH-111	215148	640 g
		NPT3/4	NPT3/4	NPT3/4	NPT3/4	8252/12-0IIIII-111	215149	590 g
Enclosure size		2						
Dimensions (WxHxD)		106 x 106 x 88 mm						
Figure	Floor openings (BASE)	Right openings (0°)	Top openings (90°)	Left openings (180°)	Bottom openings (270°)	Product Type	Art. No.	Weight
	M20	M20	M20	M20	without entry & without adaptor	8252/12-BBBBB0-111	215195	650 g
	NPT1/2	NPT1/2	NPT1/2	NPT1/2	without entry & without adaptor	8252/12-HHHH0-111	215157	650 g

Selection Table								
Enclosure size Dimensions (WxHxD)		3 120 x 120 x						
Figure	Floor openings (BASE)	Right openings (0°)	Top openings (90°)	Left openings (180°)	Bottom openings (270°)	Product Type	Art. No.	Weight
	without entry & without adaptor	NPT1-1/4	NPT1-1/4	NPT1-1/4	without entry & without adaptor	8252/13-0KKK0-111	216438	950 g
	without entry & without adaptor	NPT1-1/4	NPT1-1/4	NPT1-1/4	NPT1-1/4	8252/13-0KKKK-111	216440	900 g
Enclosure size Dimensions (WxHxD)		3 120 x 120 x 99 mm						
Figure	Floor openings (BASE)	Right openings (0°)	Top openings (90°)	Left openings (180°)	Bottom openings (270°)	Product Type	Art. No.	Weight
	without entry & without adaptor	M32	M32	M32	without entry & without adaptor	8252/13-0DDDD-111	216439	1.02 kg
	without entry & without adaptor	M32	M32	M32	M32	8252/13-0DDDD-111	216441	990 g
Enclosure size Dimensions (WxHxD)		4 156 x 156 x 115 mm						
Figure	Floor openings (BASE)	Right openings (0°)	Top openings (90°)	Left openings (180°)	Bottom openings (270°)	Product Type	Art. No.	Weight
	without entry & without adaptor	NPT1-1/2	NPT1-1/2	NPT1-1/2	without entry & without adaptor	8252/14-0LLL0-111	215146	1.69 kg
		NPT2	NPT2	NPT2	without entry & without adaptor	8252/14-0MMM0-111	215147	1.54 kg

Cable glands or stopping plugs must be ordered separately.

Technical Data	
Explosion Protection	
IECEx gas explosion protection	Ex d IIC T5-T6 Gb
IECEx dust explosion protection	Ex tb IIIC T80°C-95°C Db
ATEX gas explosion protection	Ⓔ II 2 G Ex d IIC T5-T6 Gb
ATEX dust explosion protection	Ⓔ II 2 D Ex tb IIIC T80°C-95°C Db
Certificates	ATEX (BVS), China (NEPSI), IECEx (BVS), India (PESO)
Notes	Product label may vary. Series devices have certification according to ATEX and IECEx.
Electrical Data	
Rated operational voltage AC	0 ... 690 V
Notes	AC rated operational voltage and Rated operational current depending on explosion-protected built-in components used
Ambient Conditions	
Ambient temperature	-60 °C ... +70 °C
Notes	Ambient temperature depending on explosion-protected built-in components used
Mechanical Data	
Degree of protection (IP)	IP66
Degree of protection note	according to IEC/EN 60529

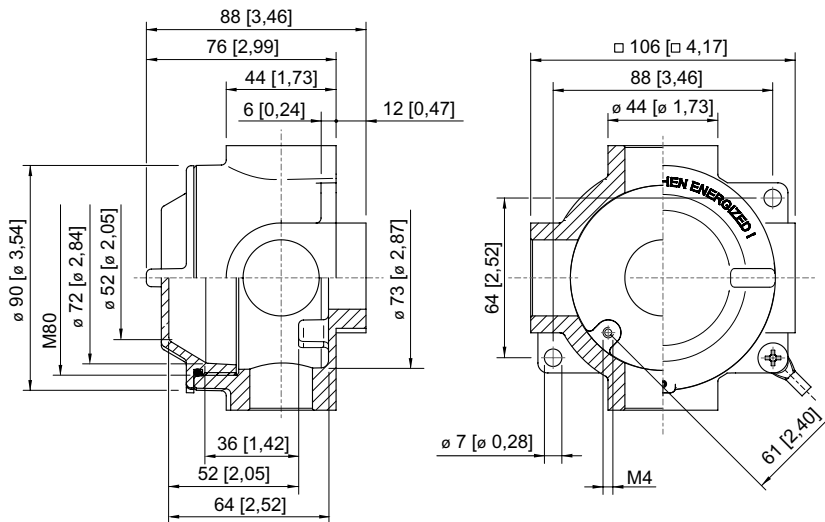
Technical Data

Mechanical Data

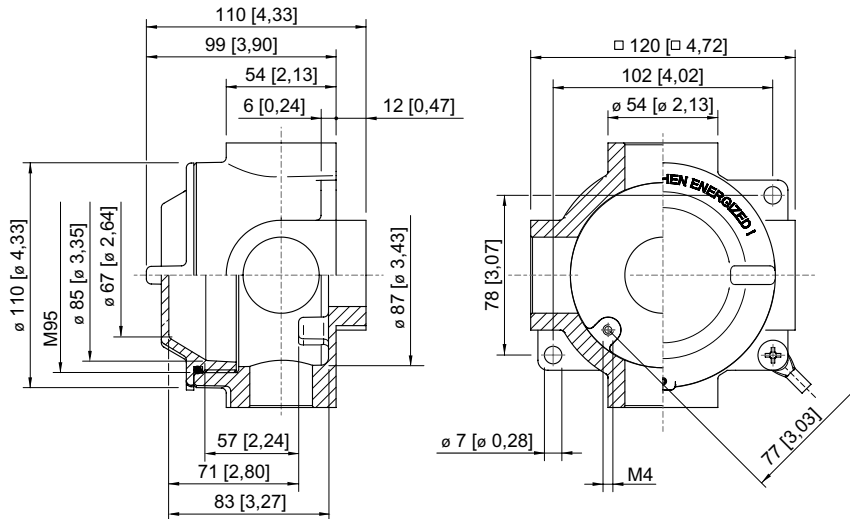
Enclosure material	Cast aluminium alloy, Copper-free, powder-coated
Notes	Protective conductor connection: M6 earth bolt, inside/outside on the enclosure, tightening torque: 2.8 Nm

E3

Dimensional Drawings (All Dimensions in mm [inches]) – Subject to Alterations

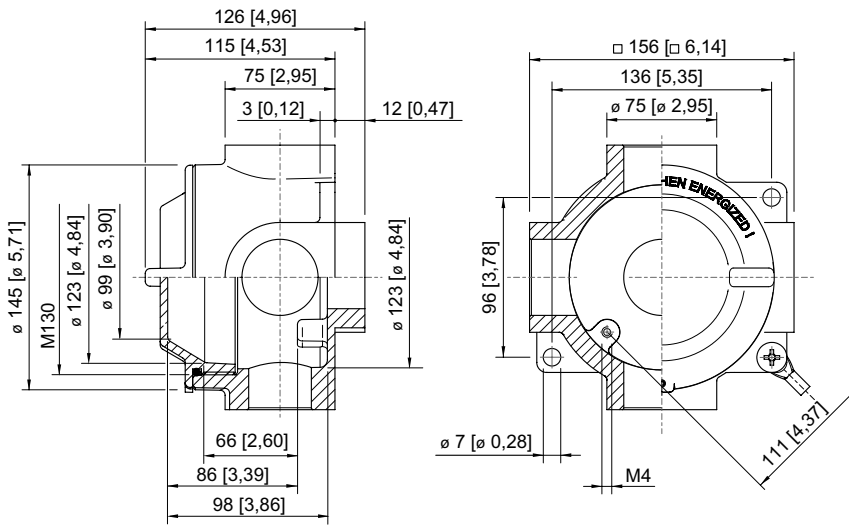


Size 2



Size 3

E3



Size 4