



- For the intrinsically safe supply of power to three- or four-conductor transmitters, solenoid valves, light barriers and controllers
- Stable, adjustable output voltage
- International certificates for worldwide use

A3

WebCode **9143A**



The 9143 series compact Ex i power supply is used for the intrinsically safe supply of power to field devices, e.g. three- or four-conductor transmitters, solenoid valves, light barriers and controllers. It delivers stable, adjustable output voltage via intrinsically safe outputs.

	IECEx / ATEX					
Zone	0	1	2	20	21	22
Ex interface		•	•		•	•
Installation in			•			

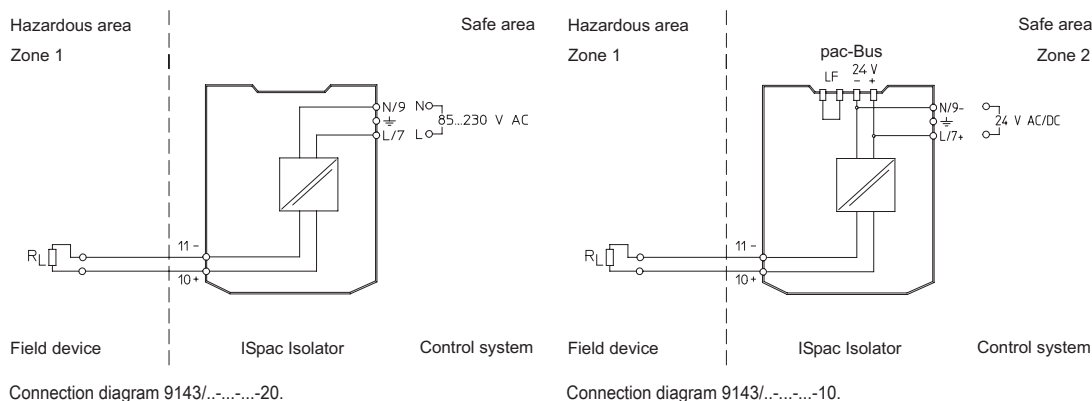
	CE Code Section 18					
	NEC [®] 505			NEC [®] 506		
	Class I					
Zone	0	1	2	20	21	22
Ex interface		•	•			
Installation in			•			

Selection Table									
Auxiliary power			24 V AC / DC						
Min. nominal voltage output	Max. nominal voltage output	Max. nominal current I _n output	Max. voltage U ₀	Max. current I ₀	Max. power P ₀	Connection type	Product Type	Art. No.	Weight
4 V	5.6 V	160 mA	6.5 V	200 mA	1.3 W	Screw terminal	9143/10-065-200-10s	159820	190 g
9.4 V	10.4 V	180 mA	11.4 V	200 mA	2.28 W	Screw terminal	9143/10-114-200-10s	159788	190 g
9.5 V	11.8 V	130 mA	12.4 V	150 mA	1.86 W	Screw terminal	9143/10-124-150-10s	159823	190 g
12.5 V	14.7 V	140 mA	15.6 V	160 mA	2.496 W	Screw terminal	9143/10-156-160-10s	159797	190 g
Auxiliary power			110 / 115 / 230 V AC						
Min. nominal voltage output	Max. nominal voltage output	Max. nominal current I _n output	Max. voltage U ₀	Max. current I ₀	Max. power P ₀	Connection type	Product Type	Art. No.	Weight
12.5 V	14.7 V	140 mA	15.6 V	160 mA	2.496 W	Screw terminal	9143/10-156-160-20s	159829	190 g

Technical Data		
Variant	24 V AC / DC	110 / 115 / 230 V AC
Explosion Protection		
IECEx gas explosion protection	Ex nA [ib Gb] IIC/IIB T4 Gc	Ex [Ex ib Gb] IIC/IIB
IECEx dust explosion protection	[Ex ib Db] IIIC	[Ex ib Db] IIIC
IECEx firedamp protection	[Ex ib Mb] I	[Ex ib Mb] I
ATEX gas explosion protection	⊕ II 3 (2) G Ex nA [ib Gb] IIC/IIB T4 Gc	⊕ II (2) G Ex [Ex ib Gb] IIC/IIB
ATEX dust explosion protection	⊕ II (2) D [Ex ib Db] IIIC	⊕ II (2) D [Ex ib Db] IIIC
ATEX firedamp protection	⊕ I (M2) [Ex ib Mb] I	⊕ I (M2) [Ex ib Mb] I

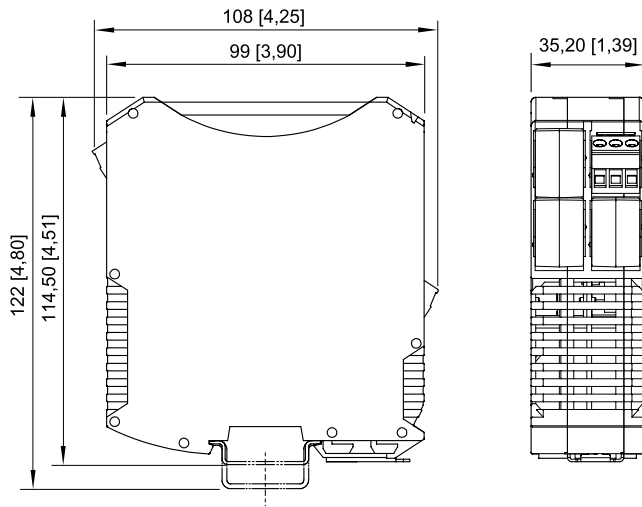
Technical Data		
Variant	24 V AC / DC	110 / 115 / 230 V AC
Explosion Protection		
Certificates	ATEX (BVS), Canada / USA (CSA), IECEx (BVS), Korea (KGS)	ATEX (BVS), Canada / USA (CSA), IECEx (BVS), Korea (KGS)
Ship approval	CCS, EU RO MR (DNV)	CCS, EU RO MR (DNV)
Declaration of Conformity	ATEX (EUK)	ATEX (EUK)
Installation	in Zone 2 and in the safe area	in the safe area
Further information	see respective certificate and operating instructions	see respective certificate and operating instructions
Safety Data		
Safety-related max. voltage	253 V	253 V AC
Auxiliary Power		
Auxiliary power voltage range	20 to 28 V AC, 18 to 35 V DC	85 to 230 V AC
Ambient Conditions		
Ambient temperature	-20 °C ... +65 °C (Single device) -20 °C ... +60 °C (Group assembly)	-20 °C ... +65 °C (Single device) -20 °C ... +60 °C (Group assembly)
Storage temperature	-40 °C ... +80 °C	-40 °C ... +80 °C
Mounting / Installation		
Mounting type	DIN rail (NS35/15, NS35/7.5)	DIN rail (NS35/15, NS35/7.5)

Technical Drawings – Subject to Alterations



Dimensional Drawings (All Dimensions in mm [inches]) – Subject to Alterations

A3



ISpac Series 9185, 9192 with screw terminal