



- Temperature transmitter, can be configured for virtually any common sensor type
- Broad range, including variants with signal conversion and trip amplifier function
- Can be used up to SIL 2 (IEC/EN 61508)

A3

## MY R. STAHL 9182B



9182 series temperature transmitters for field circuits can be used to connect temperature sensors and potentiometers. They are easy to configure for virtually any sensor type by means of software or a DIP switch. These sensor types include Pt100 sensors, thermocouples and potentiometers. Variants with a trip amplifier function allow the input signal to be analyzed using two independent contacts.

	IECEX / ATEX					
Zone	0	1	2	20	21	22
Installation in			•			

	NEC® 500 CE Code Appendix J					
	Class I		Class II		Class III	
Division	1	2	1	2	1	2
Installation in		•				

	CE Code Section 18					
	NEC® 505			NEC® 506		
Zone	Class I			20	21	22
	0	1	2			
Installation in			•			

Selection Table						
Number of channels	1					
Output	Limit contact (per channel)	SIL	Connection type	Product Type	Art. No.	Weight
0/4 to 20 mA active/source	2 NO/NC	2	Screw terminal	9182/10-51-64s	201684	170 g
		2	Spring clamp terminal	9182/10-51-64k	201685	170 g
Signal duplication due to parallel connection of inputs (dual channel). Further information see operating instruction.						
Parameterisation ex works optionally available for all variants. Art. No. 270433						

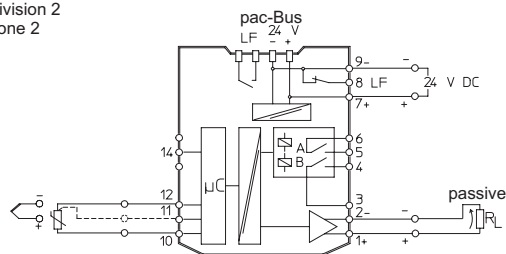
Technical Data	
<b>Explosion Protection</b>	
IECEX gas explosion protection	Ex ec nC IIC T4 Gc
ATEX gas explosion protection	Ⓔ II 3 G Ex ec nC IIC T4 Gc
Certificates	ATEX (BVS), Brazil (ULB), Canada (FM), China (NEPSI), IECEX (BVS), India (PESO), Korea (KTL), SIL (exida), USA (FM)
Ship approval	CCS, EU RO MR (DNV)
<b>Auxiliary Power</b>	
Auxiliary power	24 V DC
Nominal current	70 mA
<b>Input</b>	
Potentiometer input	Up to 100 kΩ
Input RTD	Types Pt 100, Pt 500, Pt 1000, Ni 100, Ni 500, Ni 1000
Input resistance temperature detector (RTD) Connection type	2-, 3- and 4-wire circuit
Input thermocouple	Types B, E, J, K, N, R, S, T, L, U, XK

Technical Data	
Output	
Output signal	0/4 to 20 mA (configurable)
Switching voltage limiting values	$\leq \pm 30$ V
Switching current limiting values	$\leq 100$ mA
Ambient Conditions	
Ambient temperature	-20 °C ... +70 °C (Single device) -20 °C ... +60 °C (Group assembly)
Storage temperature	-40 °C ... +80 °C
Mounting / Installation	
Mounting type	DIN rail NS35/15, NS35/7.5

### Technical Drawings – Subject to Alterations

Safe area




Division 2  
Zone 2





Field device                      ISpac Isolator                      Control system

Connection diagram 9182/10-51-64

### Accessories

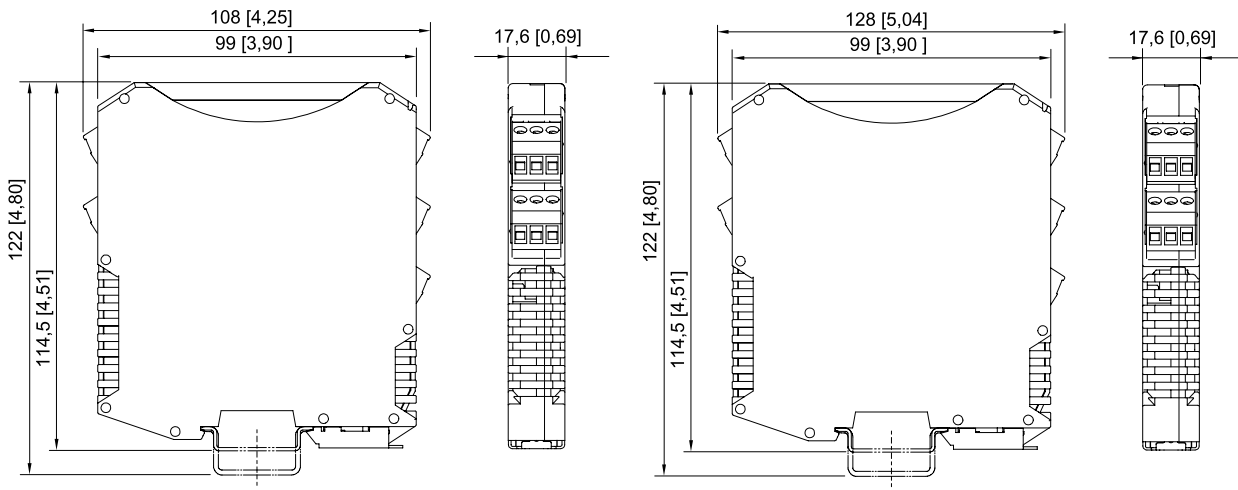
Figure	Description	Art. No.	Weight
<b>9182 Parameterisation</b>			
	Parameterisation ex works optionally available for all variants.	270433	-
<b>ISpac Wizard parameterising set</b>			
	The software is used to commission, configure and diagnose Series 9146, 9162 and 9182 ISpac isolators. For further information, see the operating instructions. Delivery form: USB stick; parameterising software incl. parameterising cable/adaptor System requirements: IBM-compatible PC with MS XP, Vista, Windows 7, 10 RS 232 C interface RS 232/USB adaptor	202595	235 g
<b>Transparent cover</b>			
	For 91xx ISpac modules Yellow, transparent Clear identification of the device for SIL applications. (Packaging unit: 10 pieces)	200914	20 g

## Accessories

Figure	Description	Art. No.	Weight
<b>External reference junction</b>			
	External reference junction for 2 x thermocouple (1 x Pt100 for 2-, 3- or 4-wire connection) integrated into the 4-pin terminal block. Mounted on a DIN rail.	160675	30 g
	External reference junction for 1 x thermocouple (Pt100 in 2-wire connection) integrated into the pluggable terminal (3-pin). Mounted in the ISpac device instead of the standard connection terminal.	160676	30 g

## Spare Parts

Figure	Description	Art. No.	Weight
<b>Screw terminal</b>			
	3-pole plug, screw connector thread: M3 stripping length: 7 mm colour: green	112817	5 g
	3-pole plug, screw connector thread: M3 stripping length: 7 mm colour: black	112816	4 g
	3-pole plug, screw connector thread: M3 stripping length: 7 mm colour: blue	112818	5 g
<b>Screw terminal with test tap</b>			
	3-pole plug with test tap, screw connector thread: M3 stripping length: 7 mm colour: black	113005	1 g
	3-pole plug with test tap, screw connector thread: M3 stripping length: 7 mm colour: blue	113004	1 g
<b>Spring clamp terminal</b>			
	3-pole plug with test tap, spring clamp connection stripping length: 10 mm colour: green	112825	5 g
	3-pole plug with test tap, spring clamp connection stripping length: 10 mm colour: black	112824	5 g
	3-pole plug with test tap, spring clamp connection stripping length: 10 mm colour: blue	112826	5 g



ISpac Series 9143, 9146, 9147, 9160, 9162, 9163, 9165, 9167, 9170, 9172, 9175, 9176, 9180, 9182, 9193, ISbus Series 9412 with screw terminal

ISpac Series 9146, 9147, 9160, 9162, 9163, 9165, 9167, 9170, 9172, 9175, 9176, 9180, 9182, 9193, ISbus Series 9412 with spring clamp terminal