



- To provide an internal electrical condition between the CPU & power modules and up to 16 I/O modules
- Redundant data bus, power bus with high availability
- Simple and protected installation on NS35/15 DIN rails
- Passive component with redundancy and high availability

A4

MY R. STAHL 9494A



The 9494 BusRails are used as a backplane bus for the IS1+ Remote I/O system. They include an Ex i power bus boasting high availability, a redundant Ex i data bus and address lines. The BusRails are available for two or four modules and can be combined for up to 18 slots. The BusRail extension cable can be used to position BusRail segments anywhere in the field enclosure.

	IECEX / ATEX					
Zone	0	1	2	20	21	22
Installation in	•	•				

	NEC® 500 CE Code Appendix J					
	Class I		Class II		Class III	
Division	1	2	1	2	1	2
Installation in	•	•				

	CE Code Section 18 NEC® 505 NEC® 506					
	Class I					
Zone	0	1	2	20	21	22
Installation in	•	•				

Selection Table						
Product variant IS1+ Remote I/O BusRail						
Figure	Version	Product Type	Art. No.	Weight		
	For 2 modules, beginning	9494/S1-B2	261798	62 g		
	For 2 modules, end	9494/S1-E2	261799	62 g		
	For 4 modules	9494/S1-M4	261800	100 g		
Product variant IS1+ Remote I/O BusRail connecting line						
Figure	Version	Product Type	Art. No.	Weight		
	70 cm	9494/L1-V7	261795	210 g		
	110 cm	9494/L1-V8	261796	260 g		
	Length acc. to specification	9494/L1-V9	162867	69 g		
Product variant IS1+ Remote I/O BusRail end piece						
Figure	Version	Product Type	Art. No.	Weight		
	Beginning	9494/A1-B0	261933	44 g		
	End	9494/A1-E0	261934	44 g		

Technical Data

Explosion Protection

IECEX gas explosion protection	Ex ia IIC T4 Gb
ATEX gas explosion protection	II 2 G Ex ia IIC T4 Gb
Certificates	ATEX (PTB), Canada (FM), China (NEPSI), IECEX (PTB), Korea (KTL), USA (FM)
Declaration of Conformity	ATEX (EUK), China (CCC)

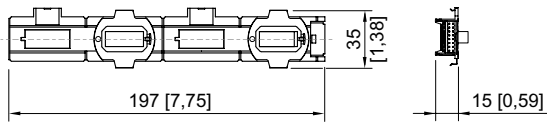
Electrical Data

Engineering note The BusRail is available in lengths for two or four modules. One end piece is necessary at both the beginning and end. The end pieces are available as "BusRail beginning" and "BusRail end" as well as with an integrated connecting line. The connecting line allows for multiple BusRail segments to be constructed in one enclosure.

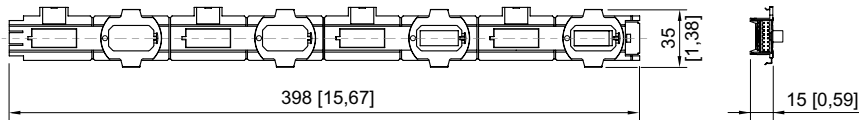
Ambient Conditions

Ambient temperature -40°C ... +75°C

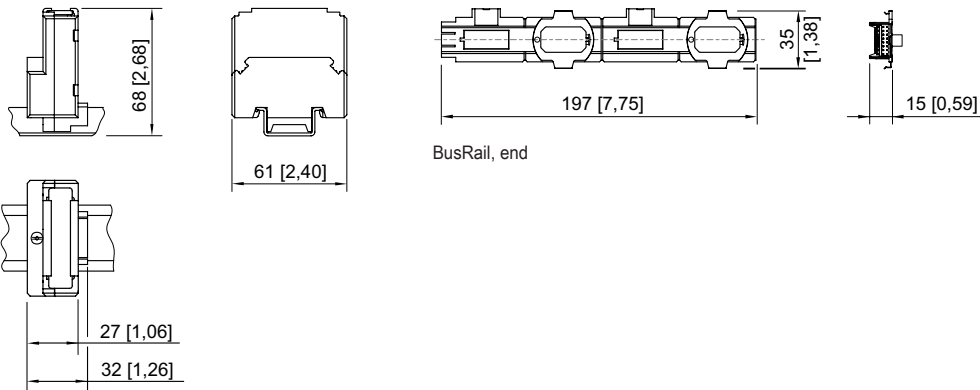
Dimensional Drawings (All Dimensions in mm [inches]) – Subject to Alterations



BusRail, beginning

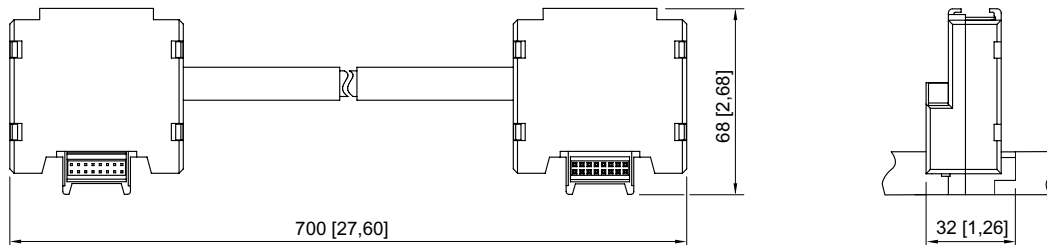


BusRail, centre

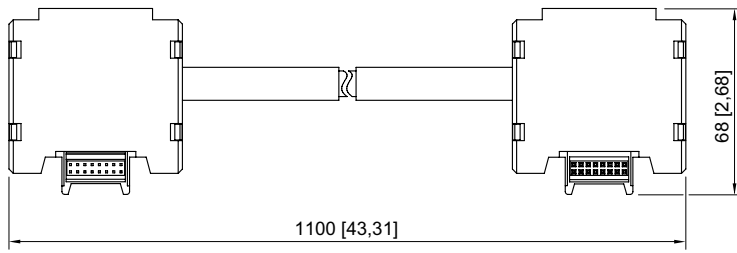


BusRail, end

BusRail end piece, beginning/end



BusRail extension



BusRail extension

