



- Physical layer diagnostics for up to eight FOUNDATION™ fieldbus H1 segments transmitted via an H1 network of your choice
- Diagnostics for voltage/current, jitter, noise, signal level, imbalance
- DTM and EDD with numerous alarm setting options, access to maintenance information, detailed reporting

A5

WebCode 9415A



The 9415 series diagnostic communication module (DCM) transmits the physical layer diagnostics data that is measured continuously by the 9412 series fieldbus power supplies for up to eight FF H1 segments to hosts or asset management systems. EDD and DTM are also available for integration. The data is logged in accordance with NAMUR NE 123 and processed in accordance with NAMUR NE 107 and FF-912. 9419 series bus carriers can be used for installation.

	IECEX / ATEX					
Zone	0	1	2	20	21	22
Ex interface			•			
Installation in			•			

	NEC 500 CEC Appendix J					
	Class I		Class II		Class III	
Division	1	2	1	2	1	2
Ex interface		•		•		•
Installation in		•				

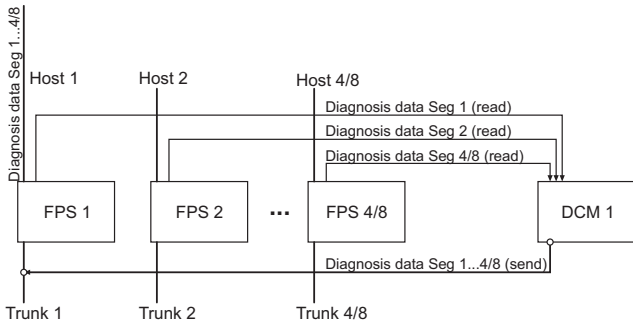
	CEC Section 18					
	NEC® 505			NEC® 506		
Zone	Class I			20	21	22
	0	1	2			
Ex interface			•			
Installation in			•			

Selection Table				
Product Description	ISbus fieldbus technology Diagnostics communication module			
Description	Product Type	Art. No.	Weight kg	
Transmission of diagnostics data for up to 8 segments via FF H1	9415/00-310-42	207903	0.240	
Installation in bus-carriers with 8 (simplex / redundant) or 16 (redundant) slots.				

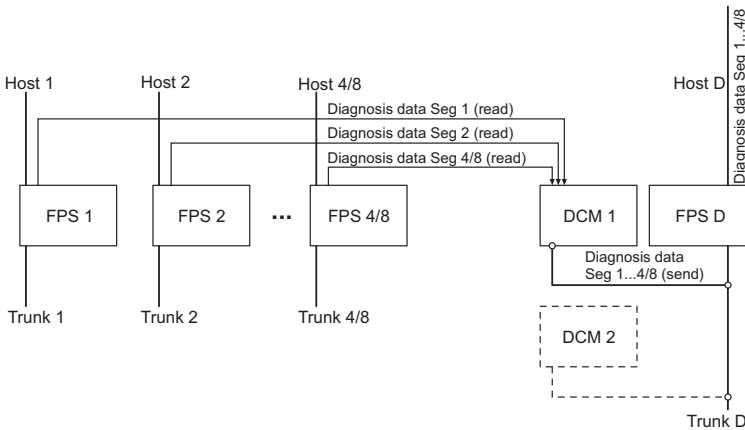
Technical Data	
Explosion Protection	
IECEX gas explosion protection	Ex nA [ic] IIC T4 Gc
ATEX gas explosion protection	Ⓔ II 3 G Ex nA [ic] IIC T4 Gc
EAC gas explosion protection	Ⓕ 2 Ex nA [ic] IIC T4 Gc X
Certificates	ATEX (BVS), Brazil (ULB), Canada (FM), EAC (Sertium), IECEX (BVS), International (FF), USA (FM)
Auxiliary Power	
Auxiliary power	Over bus carrier series 9419
Input	
Physical Layer Diagnostics	via Fieldbus Power Supplies 9412
Physical Layer values	acc. to NAMUR NE 123
Physical Layer values fieldbus	Jitter, signal level
Physical Layer values segment	Jitter, signal level, noise, unbalanced loads, voltage, current

Device Specific Data	
Cyclic data transmission	10 DI function blocks for status information / common error per segment
Acyclic data transmission	9 Transducer blocks for detailed information: physical layer values, HI-alarm, HIHI-alarm, LO-alarm, LOLO-alarm, status DCM, status segment, status fieldbus devices
Ambient Conditions	
Ambient temperature	-20 °C ... +70 °C

Technical Drawings – Subject to Alterations







Data transmission via segments 1 ... 4 / 8



Data transmission via diagnosis segment (optional)

Accessories

Figure	Description	Art. No.	Weight kg
	Yokogawa bus-Carrier for 4 segments, redundant	221455	0.600
	Yokogawa bus-Carrier for 8 segments, simplex	221454	0.600
	Yokogawa bus-Carrier for 8 segments, redundant	221456 ▲	1.200

Accessories			
Figure	Description	Art. No.	Weight kg
Fieldbus Power Supply			
	Fieldbus power supply and diagnostics	200586	0.135
bus-Carrier			
	bus-Carrier for 4 segments, redundant	208746	0.600
	bus-Carrier for 8 segments, simplex	208745	0.600
	bus-Carrier for 8 segments, redundant	208747 ▲	1.200
bus-Carrier for Linking Device			
	bus-Carrier for Linking Device for 4 segments, redundant	250241 ▲	0.980
	bus-Carrier for Linking Device for 4 segments, simplex	250240	0.712
	bus-Carrier for Linking Device for 8 segments, simplex	250242	1.010

Dimensional Drawings (All Dimensions in mm [inches]) – Subject to Alterations

