



- Transmission of the physical layer diagnostics of up to 8 FOUNDATION™ Fieldbus H1 segments via a selectable H1 network
- Diagnostics for voltage/current, jitter, noise, signal level, imbalance
- DTM and EDD with many different options for alarm configuration, access to maintenance information, detailed reporting

A5

## MY R. STAHL 9415A



The 9415 diagnostics communication module (DCM) transmits the physical layer diagnostics data that is measured continuously by the Series 9412 fieldbus power supply units for up to 8 FF H1 segments to hosts or asset management systems. EDD and DTM are available for integration. The data is logged according to NAMUR NE 123 and processed according to NAMUR NE 107 and FF-912. 9419 bus-Carriers can be used for installation.

	IECEX / ATEX					
Zone	0	1	2	20	21	22
Ex interface			•			
Installation in			•			

	NEC® 500 CE Code Appendix J					
	Class I		Class II		Class III	
Division	1	2	1	2	1	2
Ex interface		•		•		•
Installation in		•				

	CE Code Section 18					
	NEC® 505			NEC® 506		
Zone	Class I					
	0	1	2	20	21	22
Ex interface			•			
Installation in			•			

Selection Table				
Product Description	ISbus fieldbus technology Diagnostics communication module			
Description	Product Type	Art. No.	Weight	
Transmission of diagnostic data for up to eight segments via FF H1	9415/00-310-42	207903	240 g	
Installation in bus-Carriers with 8 (simplex/redundant) or 16 (redundant) slots.				

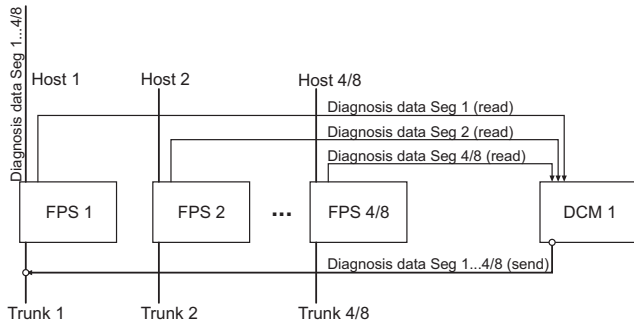
Technical Data	
<b>Explosion Protection</b>	
IECEX gas explosion protection	Ex nA [ic] IIC T4 Gc
ATEX gas explosion protection	Ⓔ II 3 G Ex nA [ic] IIC T4 Gc
Certificates	ATEX (BVS), Canada (FM), IECEX (BVS), International (FF), USA (FM)
<b>Auxiliary Power</b>	
Auxiliary power	Via bus-Carrier series 9419
<b>Input</b>	
Physical layer diagnostics	Via fieldbus power supplies 9412
Physical Layer values	As per NAMUR NE 123
Physical Layer values fieldbus	Jitter, signal level
Physical Layer values segment	Jitter, signal level, noise, imbalance, voltage, current
<b>Device Specific Data</b>	
Cyclic data transmission	10 DI function blocks for status information/common alarms per segment
Acyclic data transmission	9 transducer blocks with extensive information: Physical layer values, HI alarm, HIHI alarm, LO alarm, LOLO alarm, DCM status, segment status, fieldbus devices status

## Technical Data

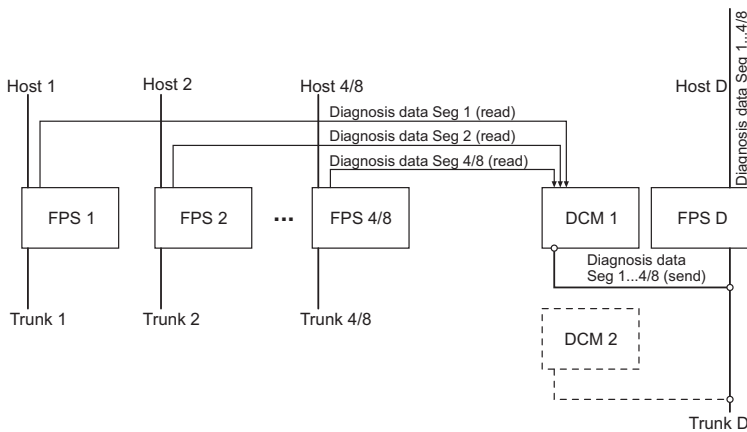
### Ambient Conditions

Ambient temperature -20 °C ... +70 °C

## Technical Drawings – Subject to Alterations



Data transmission via segments 1 ... 4 / 8






Data transmission via diagnosis segment (optional)

## Accessories

Figure	Description	Art. No.	Weight
<b>Fieldbus power supply</b>			
	Fieldbus power supply and diagnostics	200586	135 g
<b>Yokogawa bus-Carrier</b>			
	Yokogawa bus-Carrier for eight segments, simplex	221454	600 g
	Yokogawa bus-Carrier for four segments, redundant	221455	600 g
	Yokogawa bus-Carrier for eight segments, redundant	221456	1.2 kg

## Accessories

Figure	Description	Art. No.	Weight
<b>bus-Carrier</b>			
	bus-Carrier for four segments, redundant	208746	600 g
	bus-Carrier for eight segments, simplex	208745	600 g
	bus-Carrier for eight segments, redundant	208747	1.2 kg
<b>bus-Carrier for linking device</b>			
	bus-Carrier for linking device for four segments, redundant	250241	980 g
	bus-Carrier for linking device for four segments, simplex	250240	712 g
	bus-Carrier for linking device for eight segments, simplex	250242	1.01 kg

## Dimensional Drawings (All Dimensions in mm [inches]) – Subject to Alterations

