



- For connection of 4, 8 or 12 fieldbus devices in Zone 2
- Ex ec or ic spurs
- Operation on the high-power trunk
- Reduced start-up current thanks to power management and short-circuit limiting with disconnection

A5

WebCode **9410A**



The Ex ec field device coupler series 9410 for Zone 2 are used for reaction-free connection of up to 12 FOUNDATION Fieldbus H1 or PROFIBUS PA field devices to the high-power trunk. The spurs with ec or ic type of protection can be used for fieldbus devices in Zones 2 (ic, ec) and 1 (d, q, m) and are short-circuit limited.

The integrated power management minimises start-up and short-circuit currents.

	IECEX / ATEX					
Zone	0	1	2	20	21	22
Ex interface		•	•			
Installation in			•			

	NEC® 500 CE Code Appendix J					
	Class I		Class II		Class III	
Division	1	2	1	2	1	2
Ex interface		•	•			
Installation in		•				

	CE Code Section 18					
	NEC® 505			NEC® 506		
Zone	Class I					
Zone	0	1	2	20	21	22
Ex interface		•	•			
Installation in			•			

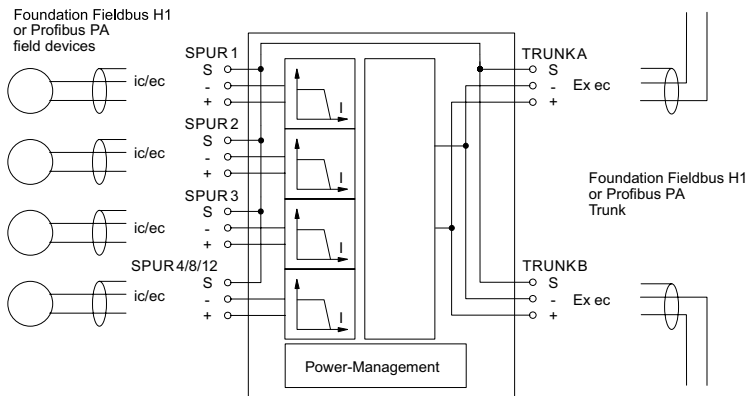
Selection Table				
Product variant	Field device coupler for Zone 2 Ex ec			
Spurs connections	Spurs connection type	Product Type	Art. No.	Weight
4	Detachable screw terminal with fuse	9410/34-330-30	207904	870 g
8	Detachable screw terminal with fuse	9410/34-330-40	207905	883 g
12	Detachable screw terminal with fuse	9410/34-330-60	207906	900 g

Field enclosures in polyester or stainless steel: Customer specific solutions on request

Technical Data	
<b>Explosion Protection</b>	
IECEX gas explosion protection	Ex ec [ic] IIC T4 Gc
ATEX gas explosion protection	II 3 G Ex ec [ic] IIC T4 Gc
Certificates	ATEX (BVS), Brazil (ULB), Canada (FM), IECEX (BVS), International (FF), USA (FM)
Declaration of Conformity	ATEX (EUK)
<b>Auxiliary Power</b>	
Max. power dissipation	1.2 W
Notes	Auxiliary power is not necessary, the field device coupler will be supplied by the trunk
<b>Input</b>	
Voltage range	9 – 32 V
<b>Output</b>	
Max. continuous output current DC	41 mA

Technical Data	
Ambient Conditions	
Ambient temperature	-40°C ... +75°C
Mechanical Data	
Field enclosure	Without, DIN rail mounting
Spurs ic only in connection with an ic-voltage-limited fieldbus power supply (e.g. R. STAHL 9412/01 or 9412/02)	

**Technical Drawings – Subject to Alterations**

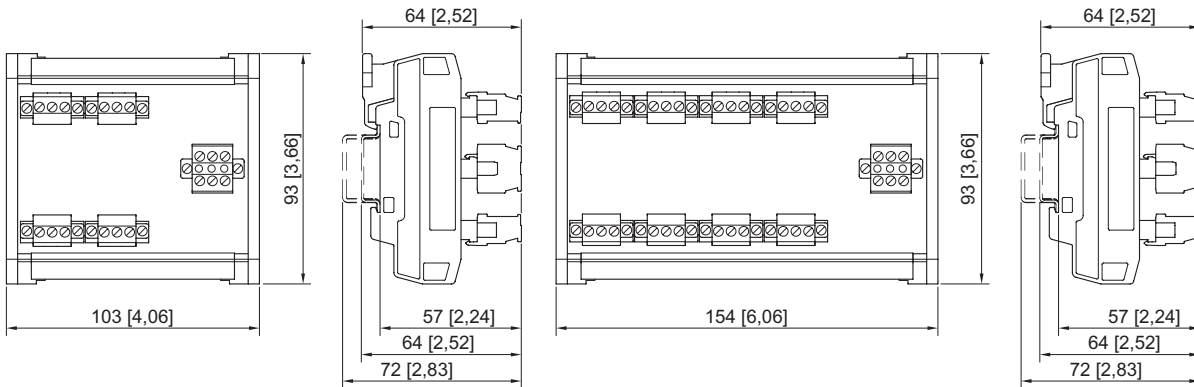


**Accessories**

Figure	Description	Art. No.	Weight
<b>End-of-line resistor</b>			
	"Ex m" fieldbus terminator	168062	80 g
<b>Fieldbus power supply</b>			
	For supplying a non-intrinsically safe trunk. Advanced version (with integrated diagnostics and alarm).	200589	135 g
<b>Fieldbus wizard engineering tool</b>			
	Engineering tool for project engineering for FOUNDATION Fieldbus or PROFIBUS PA fieldbus segments Download at <a href="http://r-stahl.com">r-stahl.com</a>	-	-

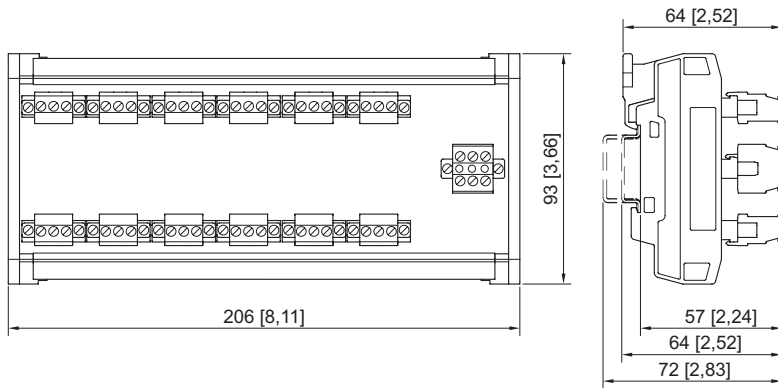
Dimensional Drawings (All Dimensions in mm [inches]) – Subject to Alterations

A5



Field Device Coupler, 4 Spurs, without enclosure

Field Device Coupler, 8 Spurs, without enclosure



Field Device Coupler, 12 Spurs, without enclosure