



- Simple, front-end parameterisation
- Bit refresh function improves the signal quality
- Adjustable transmission rates between 1.2 kbps and 1.5 Mbps – automatic with PROFIBUS DP
- Ex i field interface

A5

## MY R. STAHL 9185A



Series 9185/11 fieldbus isolating repeaters are the interface between intrinsically safe and non-intrinsically safe PROFIBUS DP segments, Modbus RTU segments and other similar fieldbus segments. These devices galvanically separate intrinsically safe bus interfaces (RS-422/RS-485) from non-intrinsically safe interfaces (RS-232, RS-422 or RS-485).

	IECEX / ATEX					
Zone	0	1	2	20	21	22
Ex interface		•	•		•	•
Installation in			•			

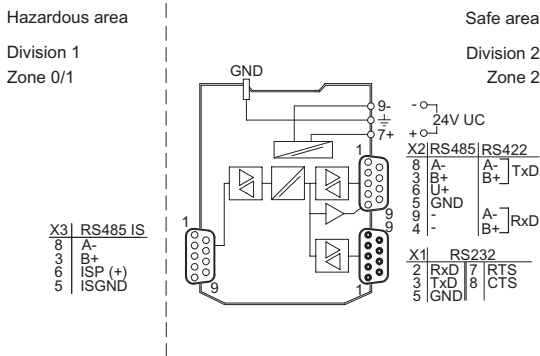
	NEC® 500 CE Code Appendix J					
	Class I		Class II		Class III	
Division	1	2	1	2	1	2
Ex interface	•	•	•	•	•	•
Installation in		•				

	CE Code Section 18					
	NEC® 505			NEC® 506		
Zone	Class I			20	21	22
Ex interface	0	1	2			
Ex interface		•	•			
Installation in			•			

Selection Table					
Product Description		Fieldbus isolating repeater ISpac		Art. No.	Weight
Field side of interfaces	Safe area interfaces	Product Type			
RS 422 Ex i RS 485 Ex i	RS 232, RS 422, RS 485	9185/11-45-10s		227599	350 g
RS-485 IS (PNO)	RS 232, RS 422, RS 485	9185/11-35-10s		227598	350 g

Technical Data	
Explosion Protection	
IECEX gas explosion protection	Ex nA [ib Gb] IIC T4 Gc
IECEX dust explosion protection	[Ex ib Db] IIIC
ATEX gas explosion protection	⊕ II 3 (2) G Ex nA [ib Gb] IIC T4 Gc
ATEX dust explosion protection	⊕ II (2) D [Ex ib Db] IIIC
Certificates	ATEX (BVS), Canada (FM), China (NEPSI), IECEX (BVS), Korea (KGS), USA (FM)
Ship approval	ABS, BVIS, CCS, EU RO MR (DNV), KR, LR
Declaration of Conformity	ATEX (EUK), China (CCC)
Electrical Data	
Connections	Sub-D socket X3, 9-pin (field-side interface)
Interface settings	Fixed transmission rate or automatic detection > 9.6 kbps (only for PROFIBUS DP)
Electrical interface data rate	1.2 kbps – 1.5 Mbps
Auxiliary Power	
Auxiliary power	24 V AC / DC

Technical Drawings – Subject to Alterations

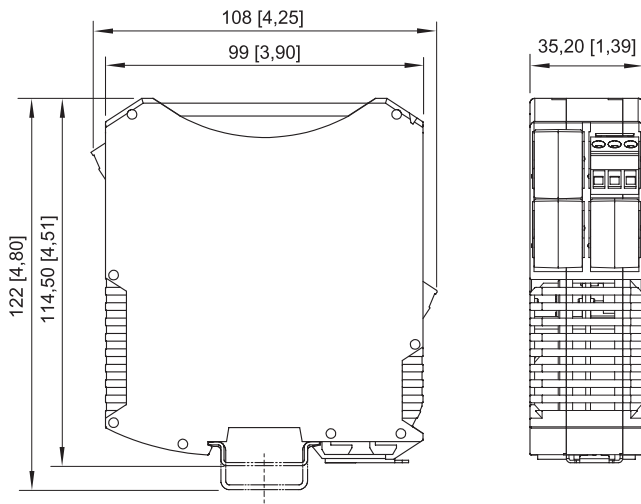


Connection diagram 9185/11

Accessories

Figure	Description	Art. No.	Weight
Sub-D plug, RS-485 IS, angled			
	9-pin for connecting fieldbus or ServiceBus to CPU & power module Series 9440/22, 9185 fieldbus isolating repeater and 9786/12-11 media converter. The end-of-line resistor is installed and switchable. For RS 485 IS (according to Profibus standard). Ambient temperature: -40 °C to +70 °C	162693	100 g
	9-pin for connecting 9185 fieldbus isolating repeater and 9786/12-11 media converter. The end-of-line resistor is installed. For RS-485 IS (according to Profibus standard). Ambient temperature: -25 °C to +70 °C	201805	50 g

Dimensional Drawings (All Dimensions in mm [inches]) – Subject to Alterations



ISpac Series 9185, 9192 with screw terminal