



- To provide Foundation Fieldbus H1 segments (high-power trunk) with a single or redundant power supply
- Complete set consisting of bus-Carrier and fieldbus power supply units
- Slot for 9415 diagnostics communication module for transmitting physical layer data

A5

MY R. STAHL 9420A



Carrier versions for 8 segments with simplex power supply and for 4 or 8 segments with redundant power supply are available. The high output power of up to 28 V or 500 mA per segment enables many devices to be operated even over long distances. During operation, the fieldbus segments are monitored for overload and short circuiting. An error message is output via an integrated relay contact.

	IECEX / ATEX					
Zone	0	1	2	20	21	22
Installation in			•			•

	NEC® 500 CE Code Appendix J					
	Class I		Class II		Class III	
Division	1	2	1	2	1	2
Installation in		•		•		•

	CE Code Section 18					
	NEC® 505			NEC® 506		
	Class I					
Zone	0	1	2	20	21	22
Installation in			•			•




Selection Table						
Product Description						
ISbus fieldbus technology Fieldbus power supply set						
Connection	Trunk supply	Set content	Product Type	Art. No.	Weight	
To any FF H1 host	Redundant	bus-Carrier + 16 fieldbus power supply units	9420/08R-XX1-02C1	213059	3.4 kg	
	Simplex	bus-Carrier + 8 fieldbus power supply units	9420/08F-XX1-01C1	213057	1.7 kg	

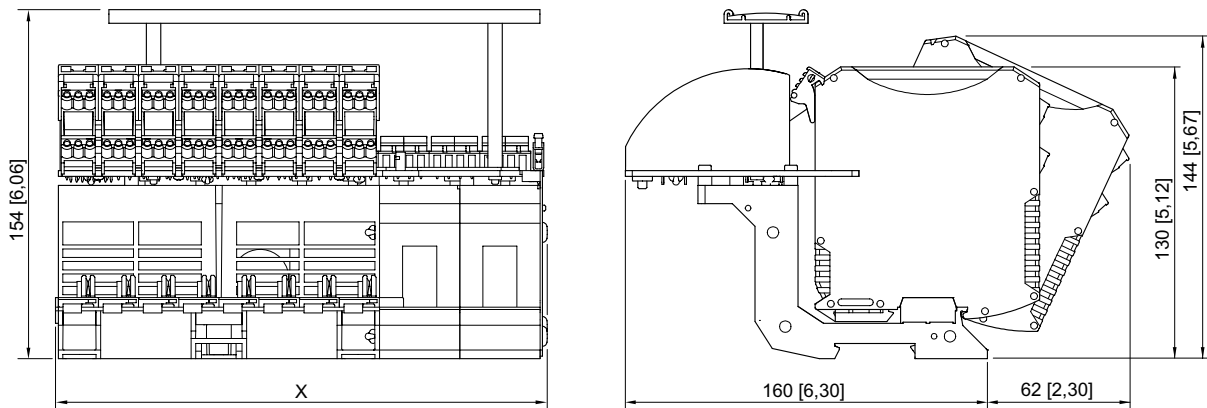
Please order the Series 9415 diagnostics communication module separately – see accessories.

Technical Data	
Electrical Data	
Number of segments	8
Segment supply U _a	≥ 28 V DC
Segment supply I _s	10 mA ... 500 mA; (redundant = 2 x 250 mA)
Error detection Power Fail (pri / red)	Contact „PF (Power Fail)“ (35 V/100 mA), closed in go-state
Error detection Diagnostic	Contact „Dia (Diagnostics)“ (35 V/100 mA), closed in go-state
Auxiliary Power	
Nominal voltage	24 V DC
Ambient Conditions	
Ambient temperature	-20 °C ... +70 °C
Mechanical Data	
Connection Trunk	On the terminals of the bus-Carrier or the fieldbus power supply
Connection Host / red. host	On the terminals of the bus-Carrier or the fieldbus power supply
Connection DCM	Via ribbon cable with plug connectors (DCM Series 9415)
Connection shield	Via integrated shield bus with strain relief

Technical Data
Mechanical Data

 Connection earthing Via terminal 0.2 to 2.5 mm²
Accessories

Figure	Description	Art. No.	Weight
bus-Carrier			
	bus-Carrier for four segments, redundant	208746	600 g
	bus-Carrier for eight segments, simplex	208745	600 g
	bus-Carrier for eight segments, redundant	208747	1.2 kg
Fieldbus power supply			
	Fieldbus power supply and diagnostics	200586	135 g

Dimensional Drawings (All Dimensions in mm [inches]) – Subject to Alterations


Product Type	Dimension X
9420/04R-XX1-02C1	217 mm [8.55]
9420/08F-XX1-01C1	217 mm [8.55]
9420/08R-XX1-02C1	359 mm [14.13]

 You can find dimensional drawings online at r-stahl.com