

# Audible signalling device

Series YA11 - max. 100 dB(A), aluminium

STAHL



- Horn: Omnidirectional/max. 100 dB(A)
- Class: IP66 (IEC 60529/NEMA 4X)
- Corrosion-resistant aluminium enclosure
- Stainless steel fixings and console sealing element included
- Preconfigured rewiring
- 32 standardised preconfigured signal tones (compatible with PFEER/UKOOA)
- Minimal installation height (29 mm)
- Low weight (1.5 kg)

E5

## MY R. STAHL YA11A



The YA11 product series provides an audible signal and is intended for use in hazardous or extremely harsh environments.

	IECEX / ATEX						NEC® 500 CE Code Appendix J					
	0	1	2	20	21	22	Class I		Class II		Class III	
Zone							1	2	1	2	1	2
Installation in			•			•		•				

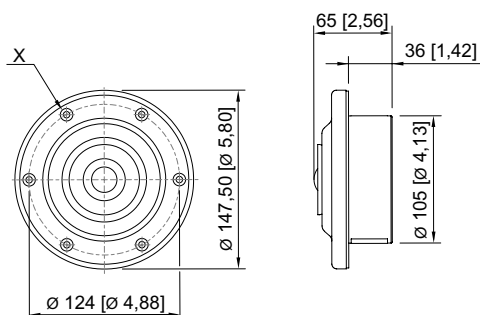
### Selection Table

Certificates		ATEX (BAS), Canada / USA (UL), IECEx (BAS)				
Rated operational current	Rated operational voltage DC	Tone selection		Product Type	Art. No.	Weight
0.071 A	24 V	According to the order		YA11/1-D-...-RN	211439	1.5 kg

### Technical Data

Explosion Protection	
IECEX gas explosion protection	Ex nA IIC T4 Gc
IECEX dust explosion protection	Ex tc IIIC T90 °C Dc
ATEX gas explosion protection	⊕ II 3 G Ex nA IIC T4 Gc
ATEX dust explosion protection	⊕ II 3 D Ex tc IIIC T90 °C Dc
Acoustic Data	
Sound pressure level	max. 100 dB(A) @ 1 m
Sound level	1
Ambient Conditions	
Ambient temperature °C	-40 °C
Mechanical Data	
Enclosure material	Aluminium/ABS
Enclosure colour	Red (RAL 3001)
Degree of protection (IP) (IEC 60529)	IP66
Conductor length	3 m
Mounting / Installation	
Mounting part material	Stainless steel
Connection type	ÖLFLEX150 QUATTRO/18AWG 2x1mm²

You can find more technical data online at [r-stahl.com](http://r-stahl.com). WebCode YA11A



Tone table

Tone no.	Version	Frequency	Repetition rate (sec)	Special application
Tone 01	Two alternating tones	800 to 1000	0.5	Fire alarms – level crossing
Tone 02	Two alternating tones	2500 to 3100	0.5	Security alarms
Tone 03	Two quickly alternating tones	800 to 1000	0.25	Increased urgency – level crossing
Tone 04	Two quickly alternating tones	2500 to 3100	0.25	Security deterrent
Tone 05	Two alternating tones	440 to 554	0.4/0.1	AFNOR, France
Tone 06	Two alternating tones	430 to 470	1.0	
Tone 07	Two quickly alternating tones	800 to 1000	0.13	
Tone 08	Two quickly alternating tones	2500 to 3200	0.07	
Tone 09	Two alternating tones	440 to 554	2.0	Turn out, Sweden
Tone 10	Continuous tone	700		All-clear, Sweden
Tone 11	Continuous tone	1000		
Tone 12	Continuous tone	1000		
Tone 13	Continuous tone	2300		
Tone 14	Continuous tone	440		
Tone 15	Interrupted tone	1000	2.0	
Tone 16	Interrupted tone	420	1.25	AS2220, Australia
Tone 17	Interrupted tone	1000	0.5	
Tone 18	Interrupted tone	2500	0.25	
Tone 19	Interrupted tone	2500	0.5	
Tone 20	Interrupted tone	700	6/12	Pre-vital message, Sweden
Tone 21	Interrupted tone	1000	1.0	
Tone 22	Interrupted tone	700	4.0	Air-raid alarm, Sweden
Tone 23	Interrupted tone	700	0.25	Local warning, Sweden
Tone 24	Interrupted tone	720	0.7/0.3	Industrial alarm, Germany
Tone 25	Interrupted, fast, rising volume	1400	0.25	
Tone 26	Fast siren	250 to 1200	0.085	
Tone 27	Constant rise and fall	1000	10/40/10	Industrial alarm, Germany
Tone 28	ISO 8201 Evacuation	800 to 1000	As standard	International evacuation alarm
Tone 29	Fast whoop	500 to 1000	0.15	
Tone 30	Slow whoop	500 to 1200	4.5	Evacuation, the Netherlands
Tone 31	Reverse sweep	1200 to 500	1.0	Evacuation, Germany
Tone 32	Siren	500 to 1200	3.0	