



- Integrated terminal box
- All round lanterns are delivered with mounting bracket for 2" pipe
- Designed for use in arctic and tropical waters
- Resistant to vibrations
- Lens of through-coloured glass, no decolouration during the lifetime of the lantern.

E6

MY R. STAHL T2850A



Extensively tested in rough environments, navigation lights from Tranberg are the obvious choice by many vessel designers, ship owners and yards throughout the world. Our products and services meet the highest quality standards, perform reliably and efficiently to exceed customers expectations and assure market competitiveness.

The design of Tranberg's navigation lights is based on many years of experience and research in the field of professional Marine lighting. Carefully selected materials are used to ensure maximum performance, low maintenance and long trouble free life.

| | IECEX / ATEX | | | | | |
|-----------------|--------------|---|---|----|----|----|
| Zone | 0 | 1 | 2 | 20 | 21 | 22 |
| Installation in | | | • | | | |

| Selection Table | | | | | | | |
|------------------|---------------|-----------------|-------------------------|---------------------------|--------------|----------|--------|
| Power | 55 - 85 W | | | | | | |
| Lamp type | Opening angle | Colour of glass | Visibility range 20-50m | Visibility range over 50m | Product Type | Art. No. | Weight |
| Allround light | 360 ° | Green | 55W/35cd – min. 2 nm | 85W/65cd – min. 3 nm | TEF28505129 | 165892 | 3.1 kg |
| | | Red | 55W/35cd – min. 2 nm | 85W/65cd – min. 3 nm | TEF28505229 | 165893 | 3.1 kg |
| | | White | 55W/35cd – min. 5 nm | 85W/65cd – min. 6 nm | TEF28505029 | 165891 | 3.1 kg |
| Masthead | 225 ° | White | 55W/35cd – min. 5 nm | 85W/65cd – min. 6 nm | TEF28500029 | 165885 | 3.7 kg |
| Port | 112.5 ° | Red | 55W/35cd – min. 2 nm | 85W/65cd – min. 3 nm | TEF28502029 | 165887 | 3.7 kg |
| Starboard | 112.5 ° | Green | 55W/35cd – min. 2 nm | 85W/65cd – min. 3 nm | TEF28501029 | 165886 | 3.7 kg |
| Stern | 135 ° | Grey | 55W/35cd – min. 2 nm | 85W/65cd – min. 3 nm | TEF28503529 | 165890 | 3.7 kg |
| Stern cleats | 135 ° | Yellow | 55W/35cd – min. 2 nm | 85W/65cd – min. 3 nm | TEF28503329 | 165889 | 3.7 kg |
| Suez stern light | 135 ° | Red | 55W/35cd – min. 2 nm | 85W/65cd – min. 3 nm | TEF28503229 | 165888 | 3.7 kg |

| Technical Data | |
|--------------------------------|--------------------------|
| Explosion Protection | |
| IECEX gas explosion protection | Ex nR IIC T5 Gc |
| ATEX gas explosion protection | ⊕ II 3 G Ex nR IIC T5 Gc |
| Electrical Data | |
| AC rated operational voltage | 110 ... 230 V |
| Ambient Conditions | |
| Ambient temperature | -52 °C ... +45 °C |

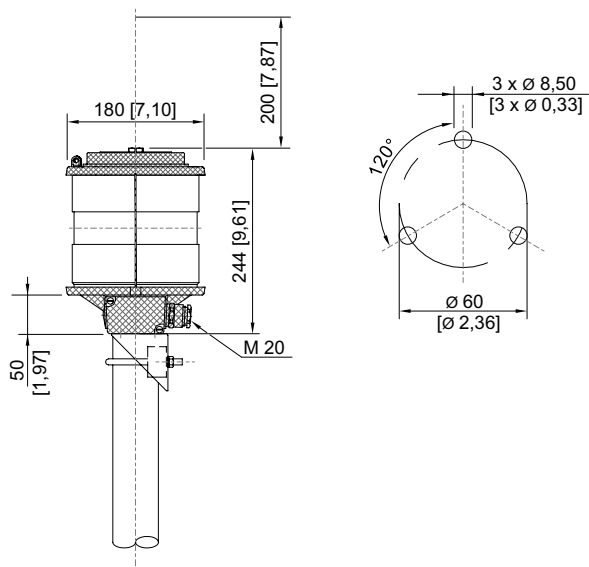
Technical Data

| Lighting Data | |
|--------------------------|----------------------------|
| Lamp | B22 lamp base |
| Mechanical Data | |
| Enclosure material | Aluminium, powder-coated |
| Material dome | Lens made of stained glass |
| Type of connection cable | Finely stranded Solid |
| Components | |
| Drilled holes | 1 x M20 |
| Cable glands and entries | 1 x M20 Ø 9 ... 14.3 mm |

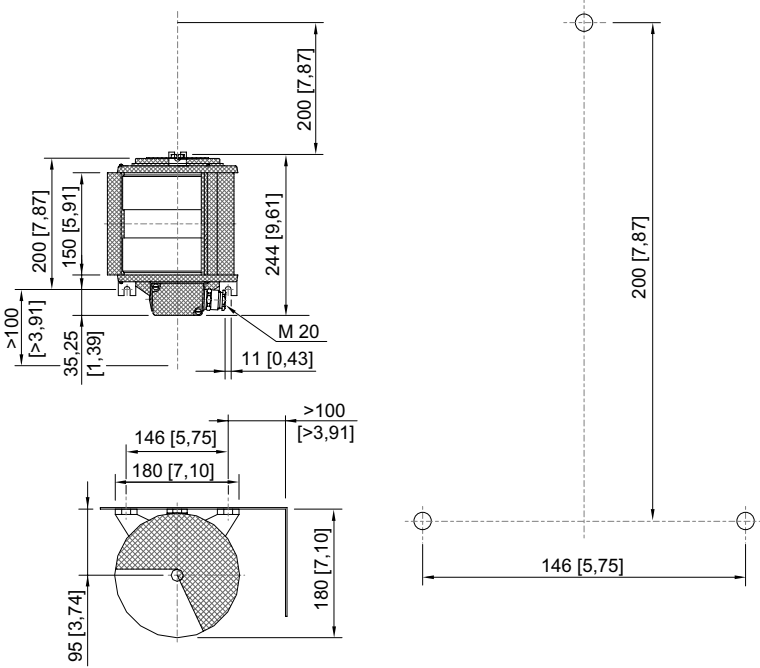
Accessories

| Figure | Description | Art. No. | Weight |
|---------------------|------------------|----------|--------|
| Lamp holder | | | |
| | B22 | 165905 | 200 g |
| Light source | | | |
| | 65cd, B22, 230 V | 165909 | 60 g |
| | 65cd, B22, 120 V | 165910 | 60 g |
| | 35cd, B22, 230 V | 165911 | 60 g |
| | 35cd, B22, 120 V | 165912 | 60 g |
| | 35cd, B22, 24 V | 165913 | 60 g |

Dimensional Drawings (All Dimensions in mm [inches]) – Subject to Alterations



TEF 2850 all round navigation light



TEF 2850 sector lantern