



- Constant power supply for control circuits
- Protected against sustained short-circuit current, overload and idle running
- Corrosion-resistant enclosure material

E9

MY R. STAHL 8510Y

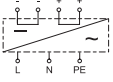


The R. STAHL Series 8510 power supply provides a constant power supply for control circuits. It is protected against sustained short-circuit current, overload and idle running and is therefore extremely reliable in operation. It can be screwed into Ex e enclosures so that it is protected against vibrations, while easily accessible connection terminals simplify installation.

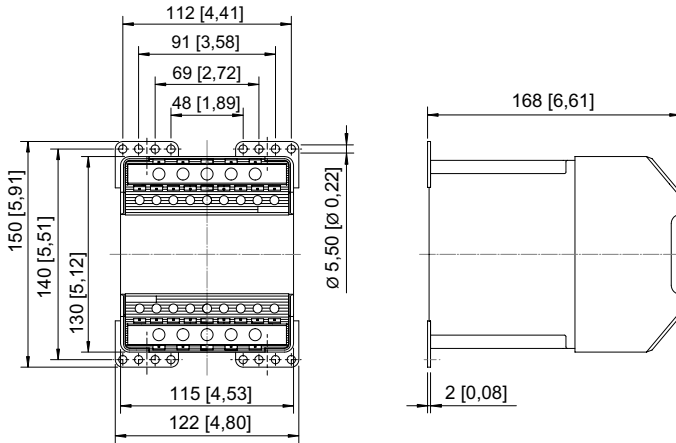
	IECEx / ATEX					
Zone	0	1	2	20	21	22
Installation in		•	•			

Selection Table								
Brazil (ULB), Canada (FM), China (CQST), IECEx (BVS), USA (FM)								
Certificates	Input voltage	Input current	Output current	Output voltage	Ambient temperature	Product Type	Art. No.	Weight
	100 to 120 V AC	1.6 A (100 A AC)	3 A	24.5 V DC	-10 °C ... +60 °C	8510/132-30-100-010	211091	2.6 kg
	100 to 240 V AC	1 A (100 A AC)	2.1 A	24.5 V DC	-10 °C ... +60 °C	8510/122-30-200-030	211142	2.6 kg
		1.05 / 0.66 A AC (120 / 230 V)	2.5 A	24.5 V DC	-20 °C ... +60 °C	8510/132-30-400-030	215561	2.5 kg
	220 to 240 V AC	1.6 A (100 A AC)	3 A	24.5 V DC	-10 °C ... +60 °C	8510/132-30-100-020	211092	2.6 kg
Brazil (ULB), China (CQST), IECEx (BVS)								
Certificates	Input voltage	Input current	Output current	Output voltage	Ambient temperature	Product Type	Art. No.	Weight
	100 to 240 V AC	0.7 to 0.5 A	1.3 A	24 V DC	-20 °C ... +60 °C	8510/131-30-300-030	213111	2.6 kg

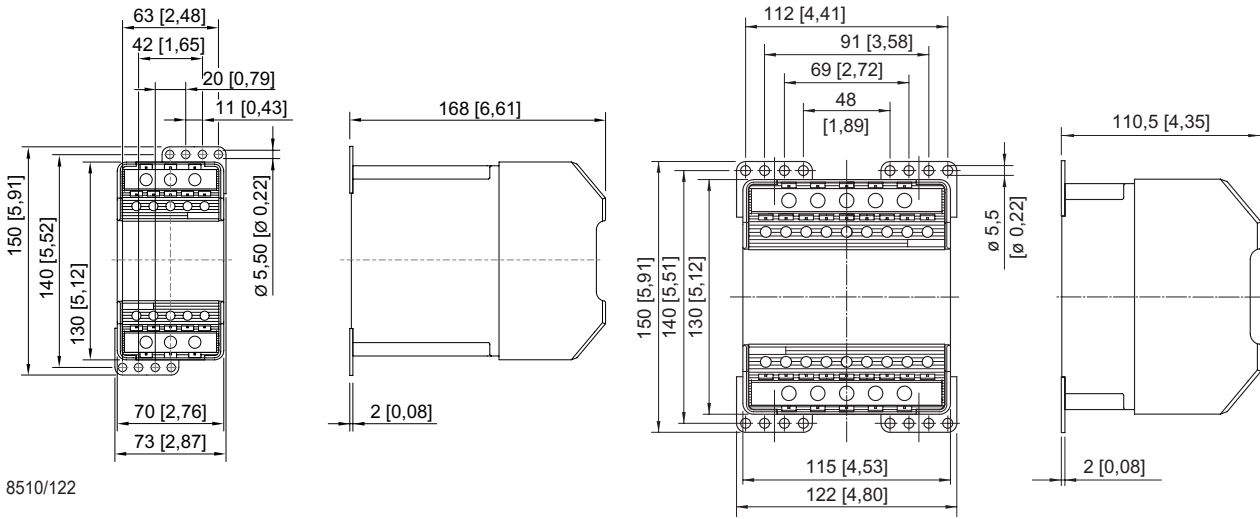
Technical Data	
Explosion Protection	
IECEx gas explosion protection	Ex de IIC
IECEx firedamp protection	Ex de I
ATEX gas explosion protection	⊕ II 2 G Ex de IIC
ATEX firedamp protection	⊕ I M2 Ex de I
Electrical Data	
Frequency Hz (for AC)	60 50
Mechanical Data	
Degree of protection (IP)	IP20
Enclosure material	Epoxy resin



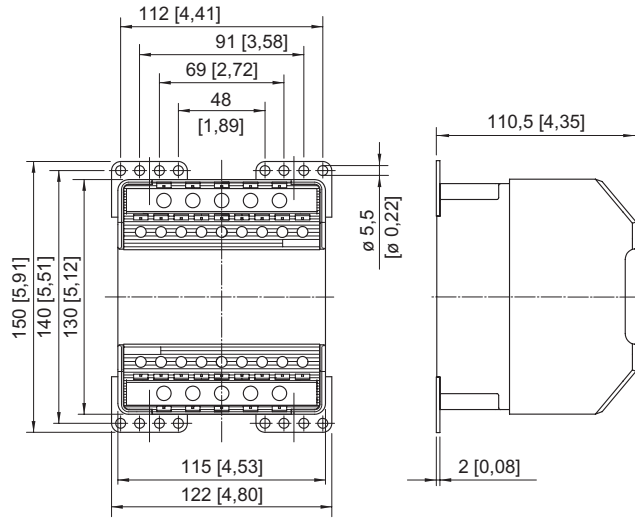
Dimensional Drawings (All Dimensions in mm [inches]) – Subject to Alterations



8510/132



8510/122



8510/131