



- Wide range of Ex e terminal boxes in various sizes and materials, degree of protection IP66
- Customised equipping in accordance with customer specifications
- Enclosures with captive cover screws, if required, flange on enclosure sides is possible

E3


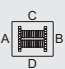
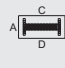
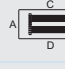

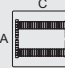
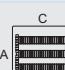

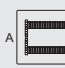
WebCode **8146A**



R. STAHL Series 8146 terminal boxes, made of high-quality, glass fibre-reinforced polyester resin, are ideal for use in harsh operating conditions. With eight basic sizes in various heights, they are universally usable. If requested by the customer, they are equipped with series terminals up to 300 mm² and, as an option, a flange on several enclosure sides is possible.

	IECEX / ATEX					
Zone	0	1	2	20	21	22
Installation in		•	•		•	•

Selection Table								
Product Description		Ex e terminal box						
Figure	Product Type	Terminal	Terminal rail	Earth rail	Max. no. of 2.5 mm ² terminals	Max. no. of 4 mm ² terminals	Art. No.	Weight
	8146/1031	1 x Phoenix UT 2-conductor, 2.5 mm ² , grey 2 x Phoenix UT PE 2-conductor, 2.5 mm ² , green-yellow	35 x 90 mm (1x)	-	6	-	136603	640 g
	8146/1041	1 x Phoenix UT 2-conductor, 2.5 mm ² , grey 2 x Phoenix UT PE 2-conductor, 2.5 mm ² , green-yellow	35 x 133 mm (1x)	-	19	-	136665	730 g
		1 x Phoenix UT 2-conductor, 4 mm ² , grey 2 x Phoenix UT PE 2-conductor, 4 mm ² , green-yellow	35 x 133 mm (1x)	-	-	16	136667	1 kg
	8146/1051	1 x Phoenix UT 2-conductor, 2.5 mm ² , grey	35 x 133 mm (1x)	7 x 4 mm ² (1x)	19	-	136688	1.06 kg
		1 x Phoenix UT 2-conductor, 4 mm ² , grey	35 x 133 mm (1x)	7 x 4 mm ² (1x)	-	16	136690	1 kg
	8146/1051	1 x Phoenix MBK 2-conductor, 2.5 mm ² , grey	15 x 133 mm (2x)	7 x 4 mm ² (1x)	-	32	136692	1.07 kg

Selection Table								
Product Description		Ex e terminal box						
Figure	Product Type	Terminal	Terminal rail	Earth rail	Max. no. of 2.5 mm ² terminals	Max. no. of 4 mm ² terminals	Art. No.	Weight
	8146/1061	1 x Phoenix UT 2-conductor, 2.5 mm ² , grey	35 x 189 mm (1x)	7 x 4 mm ² (1x)	27	–	136714	1.4 kg
		1 x Phoenix UT 2-conductor, 4 mm ² , grey	35 x 189 mm (1x)	7 x 4 mm ² (1x)	–	23	136716	1.35 kg
		1 x WAGO 2002 3-conductor, 2.5 mm ² , grey	35 x 189 mm (1x)	7 x 4 mm ² (1x)	27	–	203087	1.4 kg
	8146/1061	1 x Phoenix MBK 2-conductor, 2.5 mm ² , grey	15 x 189 mm (2x)	7 x 4 mm ² (1x)	–	54	136718	1.46 kg
	8146/1S71	1 x Phoenix UT 2-conductor, 2.5 mm ² , grey	35 x 301 mm (1x)	7 x 4 mm ² (1x)	49	–	136738	2.01 kg
		1 x Phoenix UT 2-conductor, 4 mm ² , grey	35 x 301 mm (1x)	7 x 4 mm ² (1x)	–	41	136740	2 kg
	8146/1S71	1 x Phoenix MBK 2-conductor, 2.5 mm ² , grey	15 x 301 mm (2x)	7 x 4 mm ² (1x)	–	98	136742	2.01 kg
	8146/1081	1 x Phoenix UT 2-conductor, 2.5 mm ² , grey	35 x 301 mm (1x)	18 x 4 mm ² (1x)	52	–	136800	3.4 kg
		1 x Phoenix UT 2-conductor, 4 mm ² , grey	35 x 301 mm (1x)	18 x 4 mm ² (1x)	–	43	136802	3.37 kg
	8146/1081	1 x Phoenix UT 2-conductor, 2.5 mm ² , grey	35 x 301 mm (2x)	18 x 4 mm ² (1x)	98	–	136804	3.81 kg
	8146/1081	1 x Phoenix UT 2-conductor, 2.5 mm ² , grey	35 x 301 mm (3x)	18 x 4 mm ² (1x)	147	–	136808	4.2 kg
	8146/1093	1 x Phoenix UT 2-conductor, 2.5 mm ² , grey	35 x 637 mm (1x)	18 x 4 mm ² (2x)	104	–	136898	7.1 kg
		1 x Phoenix UT 2-conductor, 4 mm ² , grey	35 x 637 mm (1x)	18 x 4 mm ² (2x)	–	86	136899	7.3 kg
	8146/1093	1 x Phoenix UT 2-conductor, 2.5 mm ² , grey	35 x 637 mm (2x)	18 x 4 mm ² (2x)	196	–	136900	7.3 kg

The max. number of terminals refers to the max. number of terminals that can be installed in the respective enclosure.

Technical Data

Explosion Protection

IECEx gas explosion protection	Ex eb IIC T6 ... T4 Gb
IECEx dust explosion protection	Ex tb IIIC T80 °C ... T130 °C Db
ATEX gas explosion protection	⊕ II 2 G Ex eb IIC T6 ... T4 Gb
ATEX dust explosion protection	⊕ II 2 D Ex tb IIIC T80 °C ... T130 °C Db
Certificates	ATEX (PTB), Brazil (ULB), Canada / USA (UL), Canada (UL), China (NEPSI), IECEx (PTB), India (PESO), Korea (KGS), Taiwan (ITRI), USA (UL)
Notes	Product label may vary. Series devices have certification according to ATEX and IECEx.

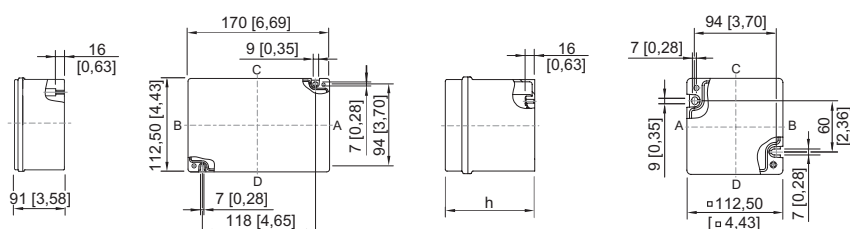
Technical Data	
Electrical Data	
Rated operational voltage AC	0 – 690 V
Notes	Rated operational voltage max. 1100 V AC/DC (depending on terminal types and explosion-protected components used)
Mechanical Data	
IP degree of protection (IEC 60529)	IP66
Enclosure material	Polyester resin, Glass fibre reinforced
Flammability according to	IEC/EN 60695 UL 94 ASTM D635
Silicone-free	No
Components	
Notes	Please observe the information of the terminal manufacturer, e.g. the tightening torque

Spare Parts			
Figure	Description	Art. No.	Weight
Brass plate 2 mm for enclosure			
	for 8146/.071, 8146/.072 (enclosure sides C / D) 8146/.081, 8146/.082 (enclosure sides A / B) 8146/.091, 8146/.092 (enclosure sides C1 / D1)	136927	140 g
	for 8146/.051, 8146/.052 (enclosure sides A / B) 8146/.S71 (enclosure sides A / B)	136914	50 g
	for 8146/.S73 (enclosure sides C / D) 8146/.083 (enclosure sides C / D) 8146/.093 (enclosure sides C1 / D1)	136979	310 g
Brass plate 2 mm for flanges			
	for flange size 1 (68 x 126 mm)	136888	40 g
	for flange size 2 (126 x 266 mm)	136960	440 g
Brass plate 3 mm for enclosure			
	for 8146/.031 (enclosure sides C / D) 8146/.041 (enclosure sides A / B)	136395	100 g
	for 8146/.041 (enclosure sides C / D)	136403	160 g
	for 8146/.051, 8146/.052 (enclosure sides A / B) 8146/.S71 (enclosure sides A / B)	136240	140 g
	for 8146/.071, 8146/.072 (enclosure sides C / D) 8146/.081, 8146/.082 (enclosure sides A / B) 8146/.091, 8146/.092 (enclosure sides C1 / D1)	136313	400 g
	for 8146/.073 (enclosure sides C / D) 8146/.083 (enclosure sides A / B) 8146/.093 (enclosure sides C1 / D1)	136621	810 g
	for 8146/.S71 (enclosure sides C / D) 8146/.081, 8146/.082 (enclosure sides C / D) 8146/.091, 8146/.092 (enclosure sides A / B)	136544	460 g
	for 8146/.S73 (enclosure sides C / D) 8146/.083 (enclosure sides C / D) 8146/.093 (enclosure sides A / B)	136626	880 g

Spare Parts

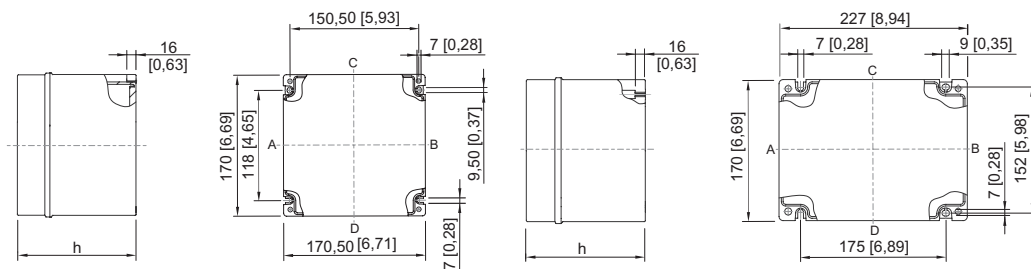
Figure	Description	Art. No.	Weight
Brass plate 3 mm for flanges			
	for flange size 1 (68 x 126 mm)	136201	200 g
	for flange size 2 (126 x 266 mm)	136568	100 g
Flange			
	Size 1: 68 x 128 mm, 5.8 mm thick	136032	106 g

Dimensional Drawings (All Dimensions in mm [inches]) – Subject to Alterations



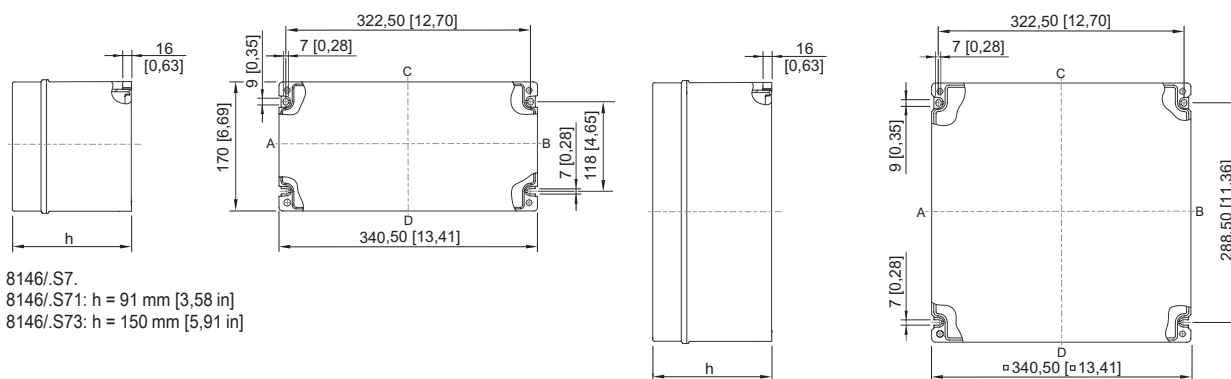
8146/041

8146/03.
8146/031: h = 91 mm [3,58 in]
8146/037: h = 104 mm [4,09 in]



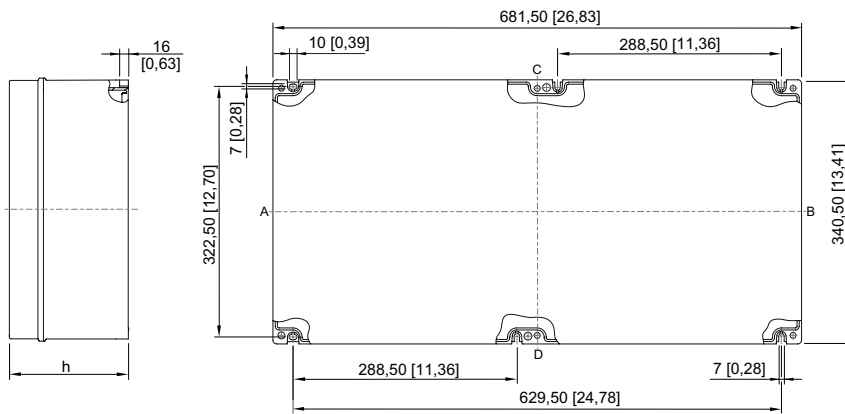
8146/05.
8146/051: h = 91 mm [3,58 in]
8146/052: h = 131 mm [5,16 in]

8146/06.
8146/061: h = 91 mm [3,58 in]
8146/062: h = 131 mm [5,16 in]



8146/S7.
8146/S71: h = 91 mm [3,58 in]
8146/S73: h = 150 mm [5,91 in]

8146/08.
8146/081: h = 91 mm [3,58 in]
8146/082: h = 131 mm [5,16 in]
8146/083: h = 150 mm [5,91 in]
8146/084: h = 171 mm [6,73 in]
8146/085: h = 190 mm [7,48 in]
8146/086: h = 230 mm [9,06 in]



- 8146/.09.
- 8146/.091: h = 91 mm [3,58 in]
- 8146/.092: h = 131 mm [5,16 in]
- 8146/.093: h = 150 mm [5,91 in]
- 8146/.095: h = 190 mm [7,48 in]