



- Type-tested standard components for time-delayed switching
- Time delays of up to 300 hours, wide-range control voltage
- Release-delayed and response-delayed variants, also with wiping function

E9

MY R. STAHL 8510O



The R. STAHL Series 8510 time relay is a type-tested standard component for time-delayed switching – with a delay of up to 300 hours. It is available in release-delayed and response-delayed variants, as well as with a wiping function (only Y-Δ time relay), and with various contact types. The corrosion-resistant enclosure can be screwed into Ex e enclosures so that it is protected against vibrations.

	IECEX / ATEX					
Zone	0	1	2	20	21	22
Installation in		•	•			

Selection Table							
Product variant	2-way response-delayed time relay with wiping function						
Min. time range	0,05 s						
Max. time range	10 min						
Figure	DC rated actuation voltage	AC rated actuation voltage	Frequency Hz (for AC)	Auxiliary contacts	Product Type	Art. No.	Weight
	24.0-48 V	24.0-240 V	60 50	2 (2 NO)	8510/112-07-408-022	202159	1.25 kg
Product variant	release-delayed, with auxiliary power						
Min. time range	0,05 s						
Max. time range	300 h						
Figure	DC rated actuation voltage	AC rated actuation voltage	Frequency Hz (for AC)	Auxiliary contacts	Product Type	Art. No.	Weight
	24.0-48 V	24.0-240 V	60 50	2 (2 change-over contacts)	8510/112-07-209-021	202157	1.25 kg
Product variant	release-delayed, without auxiliary power						
Min. time range	0,05 s						
Max. time range	10 min						
Figure	DC rated actuation voltage	AC rated actuation voltage	Frequency Hz (for AC)	Auxiliary contacts	Product Type	Art. No.	Weight
	24.0-240 V	24.0-240 V	60 50	2 (2 change-over contacts)	8510/112-07-309-012	202156	1.25 kg

Selection Table

Product variant	response-delayed time relay, time started by supply voltage						
Min. time range	0,05 s						
Max. time range	300 h						
Figure	DC rated actuation voltage	AC rated actuation voltage	Frequency Hz (for AC)	Auxiliary contacts	Product Type	Art. No.	Weight
	24.0-240 V	24.0-240 V	60 50	2 (2 change-over contacts)	8510/112-07-109-011	202480	1.25 kg

Functional diagrams

Description	Product Type	Functional diagram
2-way response-delayed time relay with wiping function Time range: 0.05 sec to 10 min	8510/112-07-408-022	
response-delayed time relay, time started by supply voltage Time range: 0.05 sec to 300 h	8510/112-07-109-011	
release-delayed, with auxiliary power Time range: 0.05 sec to 300 h	8510/112-07-209-021	
release-delayed, without auxiliary power Time range: 0.05 sec to 10 min	8510/112-07-309-012	

Technical Data

Explosion Protection	
IECEX gas explosion protection	Ex de IIC
IECEX firedamp protection	Ex de I
ATEX gas explosion protection	Ⓜ II 2 G Ex de IIC
ATEX firedamp protection	Ⓜ I M2 Ex de I
Certificates	Brazil (ULB), China (CQST), IECEX (BVS)
Ambient Conditions	
Ambient temperature	-20 °C ... +60 °C
Mechanical Data	
Degree of protection (IP)	IP20
Enclosure material	Epoxy resin

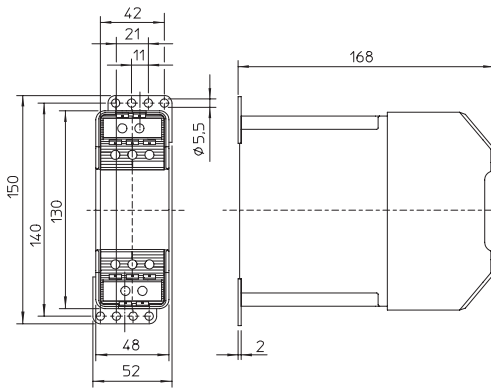
Technical Data

Mechanical Data

Type of connection cable	Solid Finely stranded
--------------------------	--------------------------

E9

Dimensional Drawings (All Dimensions in mm [inches]) – Subject to Alterations



8510/112