

LED indicator lamp for front installation

Series 8010/6 Simple apparatus



- Efficient, beneficial LED technology: High luminance, low heat build-up, extremely high service life, maintenance-free
- Easily visible light signals thanks to diffuser lenses in red, yellow, green, blue and white
- Usable at temperatures as low as -60 °C

WebCode 8010F

The series 8010 indicator lamps from R. STAHL use a white LED with a diffuser lens, the light from which can be also be coloured red, yellow, green and blue using calottes. This means that important signals from a switchgear are easily visible, even in poor lighting conditions. The indicator lamps are robust and can be used at temperatures as low as -60 °C.

Selection Table

Product Description		LED indicator lamp For front installation Simple apparatus	
Rated operational voltage DC	12 V	Art. No.	Weight
		274899	34 g

Technical Data

Safety Data	
Max. capacitance Ci	Negligible
Max. inductance Li	Negligible
Max. voltage U _i	60 V
Max. current I _i	200 mA
Max. power P _i	1.3 W
Electrical Data	
Frequency	0 to 60 Hz
Rated operational current	max. 20 mA
Max. rated operational power	1 W
Electrical service life	10 ⁵ lighting hours
Ambient Conditions	
Ambient temperature	-60 °C ... +80 °C
Ambient temperature	-76 °F ... +176 °F
Operating temperature	-60 °C ... +100 °C
Operating temperature	-76 °F ... +212 °F
Lighting Data	
Lamp	White LED
Mechanical Data	
Degree of protection (IP) (IEC 60529)	IP20
Enclosure material	Polyamide
Silicone-free	Yes
Solid connection cross section	0.32 – 2.5 mm ²
Connection cross-section AWG single stranded	AWG22 - AWG14
Finely stranded connection cross section	0.32 – 2.5 mm ²

Technical Data

Mechanical Data

Finely stranded connection cross-section AWG
AWG AWG22 - AWG14

Connection cross-section, finely stranded with core end sleeve 0.32 – 2.5 mm²

Connection cross-section, finely stranded with core end sleeve AWG AWG22 - AWG14

Mounting / Installation

Tightening torque 1.2 Nm

Tightening torque lbf in 10.62 lbf in

Connection Screw terminal

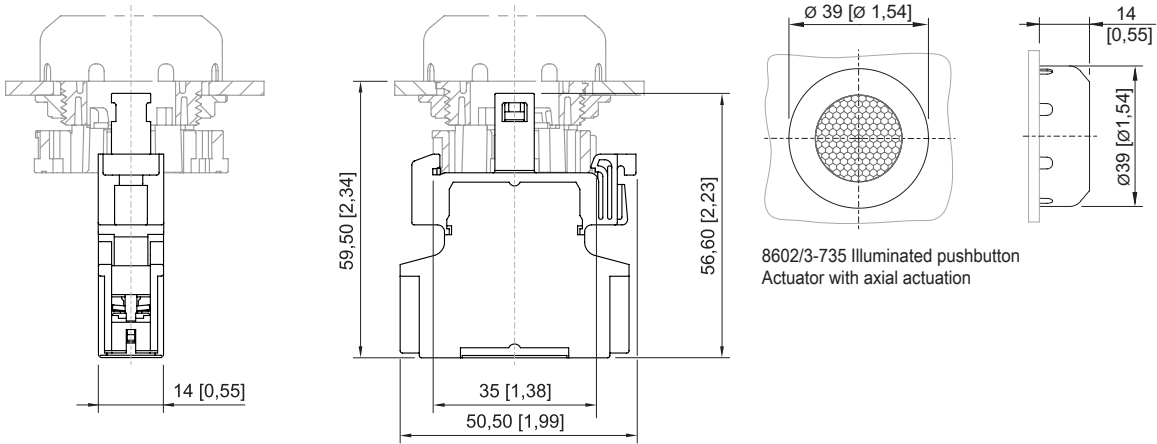
Accessories

Figure	Description	Art. No.	Weight
Indicator lamp bezel BG054			
	Diameter 39 mm All colours Silicone-free: Yes	223122	24 g
	Diameter 39 mm All colours Silicone-free: No	223123	24 g
Illuminated pushbutton (spring return) BG735			
	Ø 39 mm Black All colours Silicone-free: Yes	244654	35 g
	Ø 39 mm Black All colours Silicone-free: No	244655	35 g

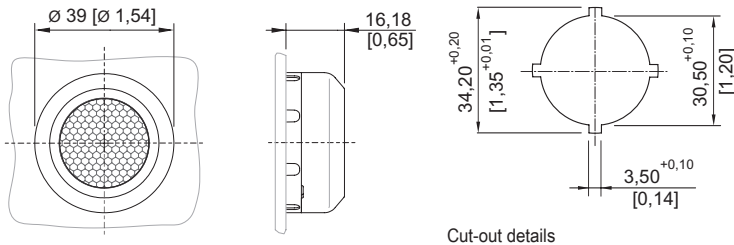
Spare Parts

Figure	Description	Art. No.	Weight
Adaptor for front installation			
	8602/3 Front installation for indicator lamp series 8010/6 and contact element series 8082/3	227038	8 g
Holder for front installation			
	8602/3 holder for cable duct	248673	50 g

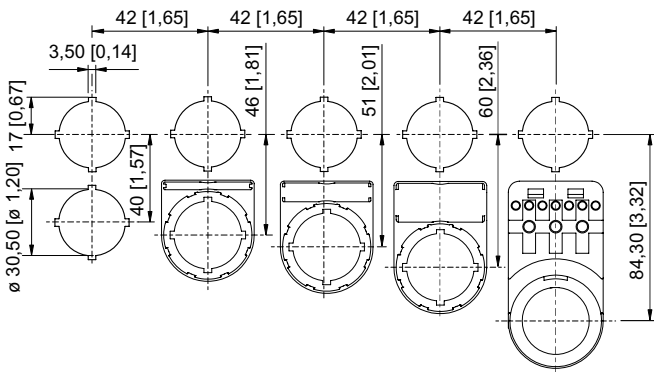
Dimensional Drawings (All Dimensions in mm [inches]) – Subject to Alterations



LED indicating lamp



Cut-out details



Cut-out with / without front label