



- Simple, front-end parameterisation
- Bit refresh function improves the signal quality
- Adjustable transmission rates between 1.2 kbps and 1.5 Mbps – automatic with PROFIBUS DP
- Non-Ex i field interface

A5

MY R. STAHL 9185B



The Series 9185/12 fieldbus isolating repeater is used to transmit communication signals once these have been galvanically separated. It prevents any compensating currents and protects easily damaged terminal equipment from transient coupling, thereby ensuring undisturbed signal transmission for R. STAHL PROFIBUS DP, Modbus RTU and ServiceBus. The RS-232 interface allows a PC to be connected.

	IECEX / ATEX					
Zone	0	1	2	20	21	22
Ex interface		•	•		•	•
Installation in			•			

	NEC® 500 CE Code Appendix J					
	Class I		Class II		Class III	
Division	1	2	1	2	1	2
Ex interface		•		•		
Installation in		•				

	CE Code Section 18					
	NEC® 505			NEC® 506		
	Class I					
Zone	0	1	2	20	21	22
Ex interface			•			
Installation in			•			

Selection Table					
Product Description	Fieldbus isolating repeater ISpac				
Field side of interfaces	Safe area interfaces	Product Type	Art. No.	Weight	
RS 485 / RS 422 (switchable)	RS 232, RS 422, RS 485	9185/12-45-10s	227600	350 g	

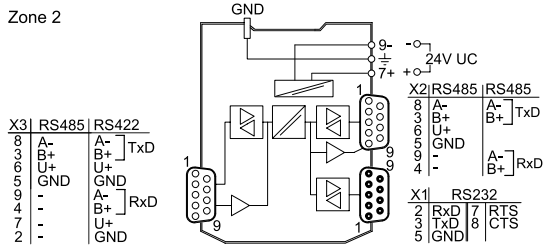
Technical Data	
Explosion Protection	
IECEX gas explosion protection	Ex nA IIC T4 Gc
ATEX gas explosion protection	⊕ II 3 G Ex nA IIC T4 Gc
Certificates	ATEX (BVS), Canada (FM), China (NEPSI), IECEX (BVS), USA (FM)
Ship approval	ABS, BVIS, CCS, EU RO MR (DNV), KR, LR
Declaration of Conformity	ATEX (EUK), China (CCC)
Electrical Data	
Interface field area level	EIA RS 485, EIA RS 422
Connections	Sub-D socket X3, 9-pin (field-side interface)
Interface settings	Fixed transmission rate or automatic detection > 9.6 kbps (only for PROFIBUS DP)
Line length interface field area	Depends on transmission rate and cable
Data transmission indication	"Rx D3" LED, green
Electrical interface data rate	1.2 kbps – 1.5 Mbps
Terminating resistor interface field area	To be connected in external plug
Auxiliary Power	
Auxiliary power	24 V AC / DC
Nominal current	66 mA

Technical Drawings – Subject to Alterations

Safe area


Division 2

Zone 2

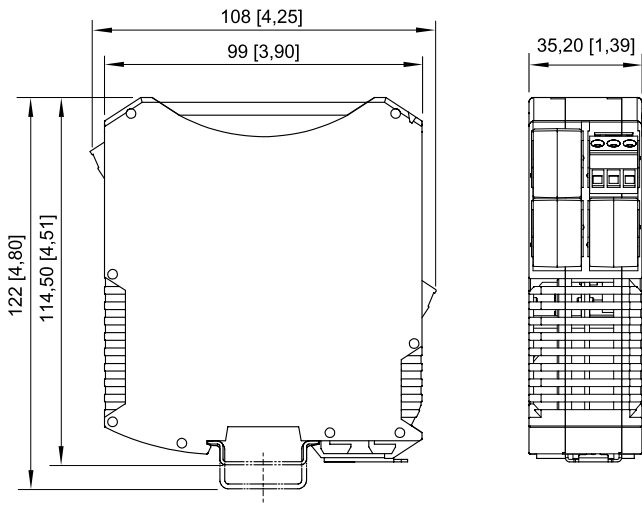


Connection diagram 9185/12

Accessories

Figure	Description	Art. No.	Weight
Sub-D plug, RS-485			
	9-pin for connecting fieldbus or ServiceBus to CPU & power module Type 9440/15, 9185 fieldbusisolatingrepeater and 9786/15-12 media converter. The end-of-line resistor is installed and switchable. For non-intrinsically safe RS-485. Ambient temperature: -40 °C to +75 °C	105715	60 g

Dimensional Drawings (All Dimensions in mm [inches]) – Subject to Alterations



ISpac Series 9185, 9192 with screw terminal