



- 16 channels can be used in pairs as inputs or outputs
- Ex ec inputs/outputs with line fault monitoring and an LED fault and status display for each channel
- Module in Zone 2 can be replaced without having to disconnect the power supply (i.e. hot-swapped)

A4

## MY R. STAHL 9471B



The 9471/35 digital input/output module for Zone 2 has 16 externally powered channels which can be used in pairs for operation as inputs for contacts and NAMUR proximity switches (EN 60947-5-6) and PNP proximity switches or as outputs for low-power solenoid valves. Eight inputs can be used for frequencies of up to 20 kHz, and four can be used for detecting the direction of rotation. All inputs/outputs are short-circuit proof and galvanically separated from the system.

	IECEX / ATEX					
Zone	0	1	2	20	21	22
Ex interface			•			
Installation in			•			

	NEC® 500 CE Code Appendix J					
	Class I		Class II		Class III	
Division	1	2	1	2	1	2
Ex interface		•				
Installation in		•				

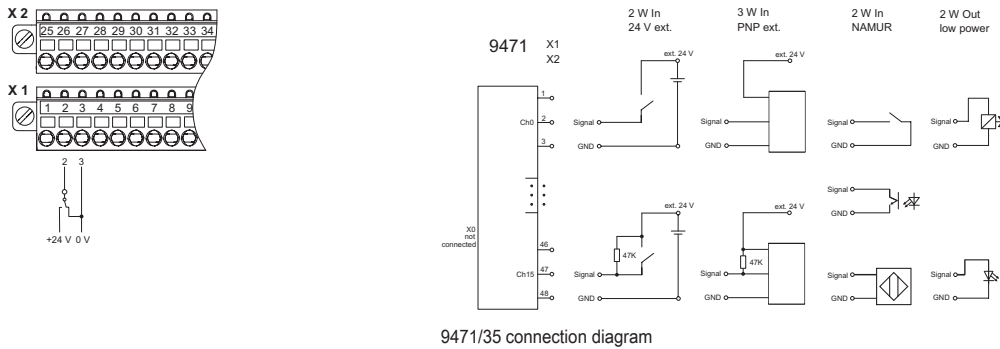
	CE Code Section 18					
	NEC® 505			NEC® 506		
Zone	Class I					
Zone	0	1	2	20	21	22
Ex interface			•			
Installation in			•			

Selection Table				
Installation	Zone 2 and safe areas			
Number of channels	Product Type	Art. No.	Weight	
(adjustable parameters in pairs) 16 Ex ec inputs/outputs	9471/35-16-11	230225	275 g	
Please order two terminals separately – see accessories and spare parts				

Technical Data	
<b>Explosion Protection</b>	
IECEX gas explosion protection	Ex ec ic [ia Ga] IIC T4 Gc
ATEX gas explosion protection	Ⓔ II 3 (1) G Ex ec ic [ia Ga] IIC T4 Gc
Certificates	ATEX (DEK), Canada (FM), China (NEPSI), IECEX (DEK), India (PESO), Korea (KTL), USA (FM)
Ship approval	ABS, BVIS, EU RO MR (DNV), KR, LR
Declaration of Conformity	ATEX (EUK), China (CCC)
<b>Electrical Data</b>	
Max. number of 3-conductor PNP inputs	16 (channels 0 ... 15)
<b>Auxiliary Power</b>	
Current consumption	90 mA
Max. power consumption	2.2 W
Max. power dissipation	0.7 W
<b>Input</b>	
Max. number of frequency inputs	8 (channel 8 to 15)

Technical Data	
Input	
Notes	Max. PNP supply voltage: 24 V externally powered  IEC 60947-5-6-1999 (NAMUR), 3-conductor PNP proximity switches and active 24 V signals with and without 47 kΩ resistor connected in parallel
Output	
Notes	For the output characteristic, see the data sheet online at r-stahl.com (MY R. STAHL 9471B)
Ambient Conditions	
Ambient temperature	-40°C ... +75°C
Mechanical Data	
Degree of protection (IP) (IEC 60529)	IP20
Width	96.5 mm
Height	67 mm
Length	128 mm

### Technical Drawings – Subject to Alterations



9471/35 connection diagram

### Accessories

Figure	Description	Art. No.	Weight
<b>Pluggable terminal</b>			
	1.5 mm <sup>2</sup> with lock, 24-pin, spring clamp connection, black, for connecting the field signals to I/O modules, for non-intrinsically safe field circuits Version: Only for 9469, 9471 and 9472 I/O modules Labelling: 1 to 24	245090	20 g
	1.5 mm <sup>2</sup> with lock, 24-pin, spring clamp connection, black, for connecting the field signals to I/O modules, for non-intrinsically safe field circuits Version: Only for 9469, 9471 and 9472 I/O modules Labelling: 25 to 48	245091	20 g
<b>Resistor error message suppression</b>			
	The resistors are used to suppress error messages for unused I/O channels Resistance value: 5K6/0.5 W Suitable for: AIM 9468; UMH 9469; DIOM 9470; DIOM 9471; DIOM 9472; DOM 9475 For intrinsically safe circuits (simple apparatus according to EN 60079-11)	244911	-
<b>Partition</b>			
	For mounting between intrinsically safe and non-intrinsically safe connections between I/O modules to maintain a tight string length of 50 mm	220101	10 g

Accessories			
Figure	Description	Art. No.	Weight
<b>Warning label</b>			
	"Clean modules only with a damp cloth."	162796	1 g
<b>DIN A4 sheet</b>			
	For label plate on I/O modules; 6 plates per sheet; IS Wizard printout; packaging unit = 20 sheets	162832	1 g
<b>Labelling strips</b>			
	"FB Addr ... Mod No ..." for pluggable terminal, 26 pieces on the sheet	162788	1 g
<b>Vibration bracket set</b>			
	When installed in environments with extreme vibration (> 0.7 g and max. 4 g), the 9490 vibration brackets may be used as an additional measure and provide mechanical stability for the individual modules. For mounting: All I/O modules, except 9477/12 and 9478 Number of brackets in a set: 8 Screws (item no. 275516) must be ordered separately.	271920	-
<b>Set of screws</b>			
	Set of M5 x 14 screws (self-tapping) for 9490 vibration brackets Number of screws in a set: 25	275516	-

**Dimensional Drawings (All Dimensions in mm [inches]) – Subject to Alterations**

