



- Aesthetically appealing pendant light fitting with 4 wattage ranges.
- Ideal for use in Zone 1 & Zone 21 with EX d protection
- Made of copper-free aluminium for absolute corrosion resistance.
- World-class quality standards: Certified and approved by PESO.
- Tough and durable: Can withstand impacts of up to 20 J and complies with IK10.
- Suitable for wide range of ambient temperatures from -20 °C to +50 °C.
- Longer luminaire service life with a promise of over 50,000 operating hours.
- All-round safety: Driver with under- and overvoltage protection and overtemperature protection.
- More lumens per watt with superior light output.

MY R. STAHL 6057A

The 6057 pendant light fitting is intended for lighting areas, work equipment and objects. It can be used indoors and outdoors. Using the right accessories, these light fittings can be used as pendant light fittings or, alternatively, they can be wall-mounted, ceiling-mounted or pole-mounted. With two thermally separated enclosure parts for the driver unit and LED unit, the 6057 pendant light fitting is a fail-safe luminaire meant for the harshest environments.

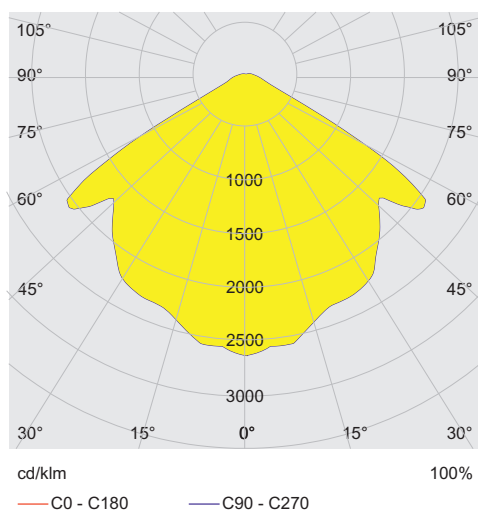
	IECEX / ATEX					
Zone	0	1	2	20	21	22
Installation in		•	•		•	•

Selection Table						
Lamp type	LED					
Lamp wattage	Reflector	Luminous flux	Luminaire efficacy	Product Type	Art. No.	Weight
25 W	Yes	3070 lm	113 lm/W	6057/2112-101-4310-121-200	288953	5 kg
	Yes	3070 lm	113 lm/W	6057/2112-101-4330-121-200	288954	5 kg
45 W	Yes	4661 lm	104 lm/W	6057/2114-101-4310-121-200	288955	5 kg
	Yes	4661 lm	104 lm/W	6057/2114-101-4330-121-200	288956	5 kg
65 W	Yes	6759 lm	109 lm/W	6057/2116-101-4310-121-200	288957	5.1 kg
	Yes	6759 lm	109 lm/W	6057/2116-101-4330-121-200	288958	5.1 kg
80 W	Yes	8101 lm	105 lm/W	6057/2118-201-4310-121-200	288959	5.2 kg
	Yes	8101 lm	105 lm/W	6057/2118-201-4330-121-200	288960	5.2 kg

Technical Data				
Variant	25 W	45 W	65 W	80 W
Explosion Protection				
PESO gas explosion protection	Ex db IIC T6 Gb	Ex db IIC T6 Gb	Ex db IIC T5 Gb	Ex db IIC T5 Gb
Certificates and approvals	India (PESO)	India (PESO)	India (PESO)	India (PESO)
Class	I (inner + outer PE)	I (inner + outer PE)	I (inner + outer PE)	I (inner + outer PE)
PESO gas certificate	KLPL/Ex/21-032X	KLPL/Ex/21-032X	KLPL/Ex/21-032X	KLPL/Ex/21-032X
Electrical Data				
AC min. rated operational voltage	220 V	220 V	220 V	220 V
AC max. rated operational voltage	240 V	240 V	240 V	240 V

Technical Data				
Variant	25 W	45 W	65 W	80 W
Electrical Data				
Nominal Current	0.13 A	0.21 A	0.288 A	0.363 A
Start-up current	$I_{peak} \leq 16 \text{ A}, \Delta t = 100 \mu\text{s}$	$I_{peak} \leq 16 \text{ A}, \Delta t = 100 \mu\text{s}$	$I_{peak} \leq 16 \text{ A}, \Delta t = 100 \mu\text{s}$	$I_{peak} \leq 64 \text{ A}, \Delta t = 108 \mu\text{s}$
Surge protection	4KV	4KV	4KV	4KV
Total harmonic distortion	< 11%	< 10%	< 10%	< 10%
Frequency range	50 – 60 Hz	50 – 60 Hz	50 – 60 Hz	50 – 60 Hz
Power factor	≥ 0.96	≥ 0.96	≥ 0.96	≥ 0.96
Ambient Conditions				
Storage temperature	-20 °C ... +60 °C	-20 °C ... +60 °C	-20 °C ... +60 °C	-20 °C ... +60 °C
Ambient temperature	-20 °C ... +50 °C	-20 °C ... +50 °C	-20 °C ... +50 °C	-20 °C ... +50 °C
Lighting Data				
Colour temperature	5700 K	5700 K	5700 K	5700 K
Colour rendering	≥ 80	≥ 80	≥ 80	≥ 80
Mechanical Data				
Degree of protection (IP)	IP66 / IP67	IP66 / IP67	IP66 / IP67	IP66 / IP67
Impact strength (IEC 62262)	IK10	IK10	IK10	IK10
Enclosure material	Aluminium, Powder-coated	Aluminium, Powder-coated	Aluminium, Powder-coated	Aluminium, Powder-coated
Enclosure colour	Light grey (RAL 7035)	Light grey (RAL 7035)	Light grey (RAL 7035)	Light grey (RAL 7035)
Protective glass material 2	Borosilicate glass	Borosilicate glass	Borosilicate glass	Borosilicate glass
Sealing material	Silicone	Silicone	Silicone	Silicone
Max. finely stranded connection terminals	4 mm ²	4 mm ²	4 mm ²	4 mm ²
Max. solid connection terminals	4 mm ²	4 mm ²	4 mm ²	4 mm ²
Components				
Through wiring	Max. 3 x 10 A	Max. 3 x 10 A	Max. 3 x 10 A	Max. 3 x 10 A
Cable glands and entries	According to the order	According to the order	According to the order	According to the order
Stopping plugs	According to the order	According to the order	According to the order	According to the order
Wire guard	On request	On request	On request	On request

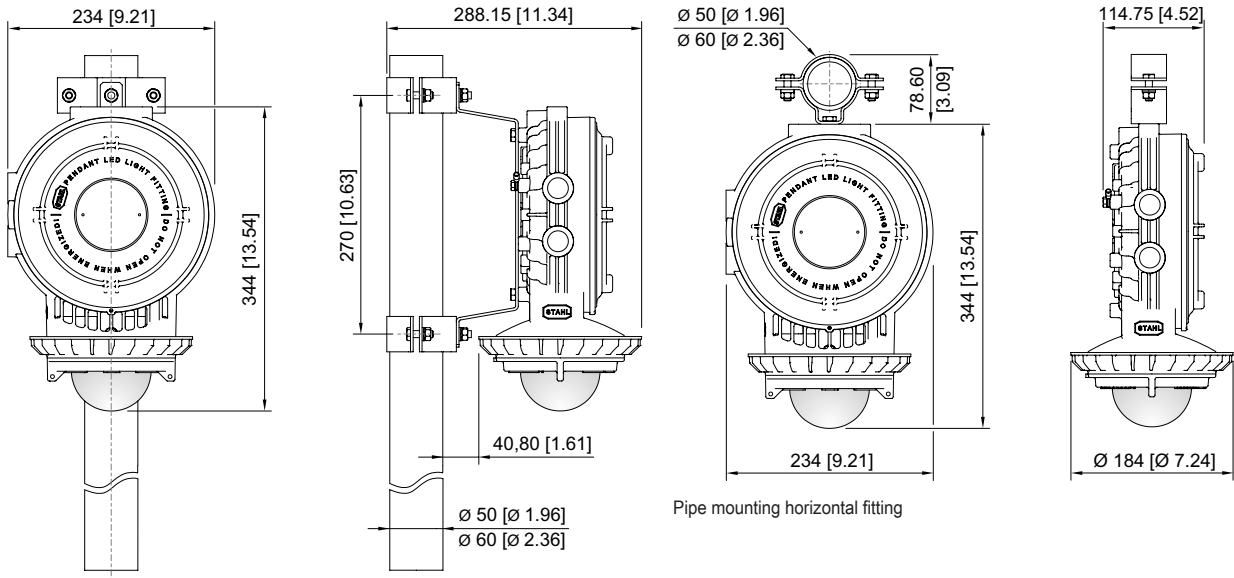
Light Distribution Curves – Subject to Alterations



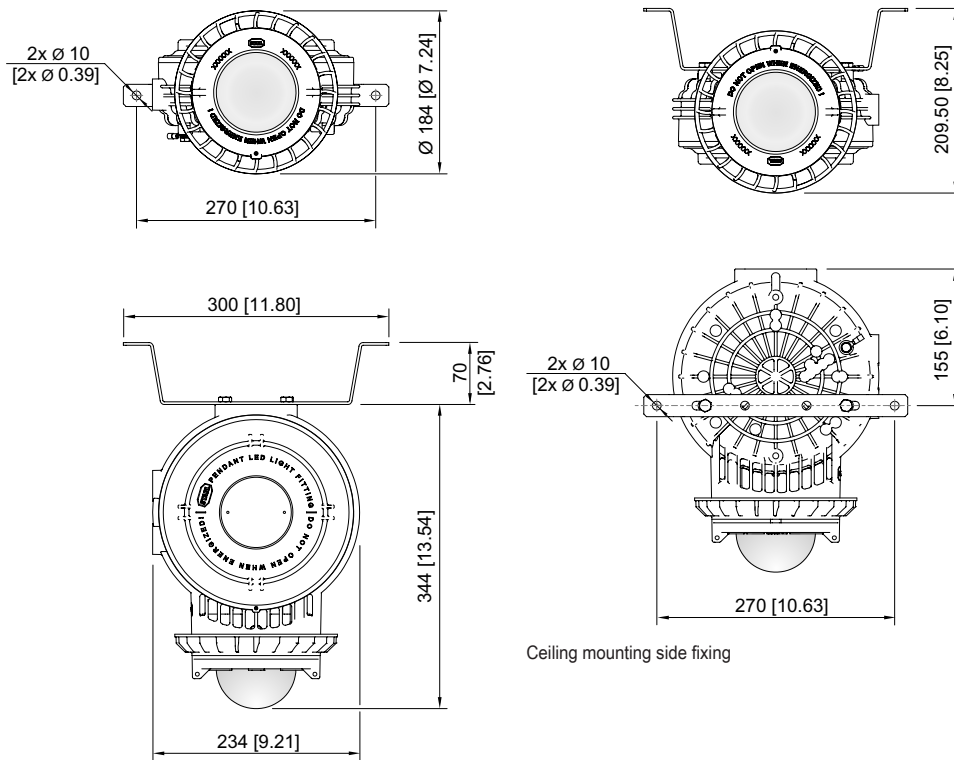
Light Distribution Curve 6057

Dimensional Drawings (All Dimensions in mm [inches]) – Subject to Alterations

E2



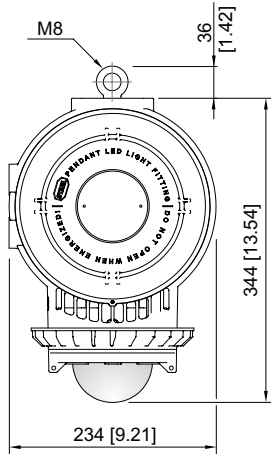
Pipe mounting vertical fitting



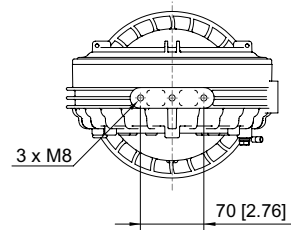
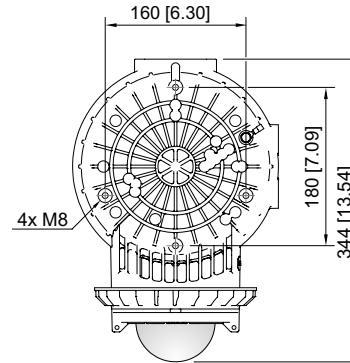
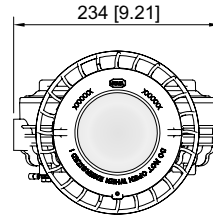
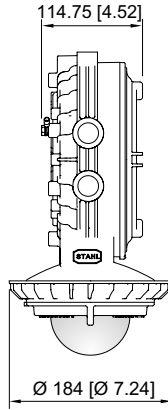
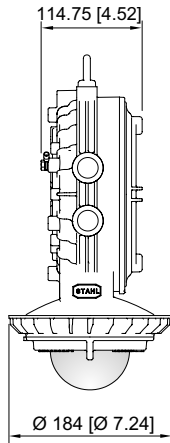
Ceiling mounting top fixing

Ceiling mounting side fixing

E2



Ringbolt



Standard