



- Aesthetically appealing pendant light fitting with 4 wattage ranges.
- Ideal for use in Zone 1 & Zone 21 with EX d protection
- Made of copper-free aluminium for absolute corrosion resistance.
- World-class quality standards: Certified and approved according to IECEx.
- Tough and durable: Can withstand impacts of up to 20 J and complies with IK10.
- Suitable for wide range of ambient temperatures from 20 °C to +50 °C.
- Longer luminaire service life with a promise of over 50,000 operating hours.
- All-round safety: Driver with under- and overvoltage protection and overtemperature protection.
- More lumens per watt with superior light output.

MY R. STAHL 6057B

The 6057 pendant light fitting is intended for lighting areas, work equipment and objects. It can be used indoors and outdoors. Using the right accessories, these light fittings can be used as pendant light fittings or, alternatively, they can be wall-mounted, ceiling-mounted or pole-mounted. With two thermally separated enclosure parts for the driver unit and LED unit, the 6057 pendant light fitting is a fail-safe luminaire meant for the harshest environments.

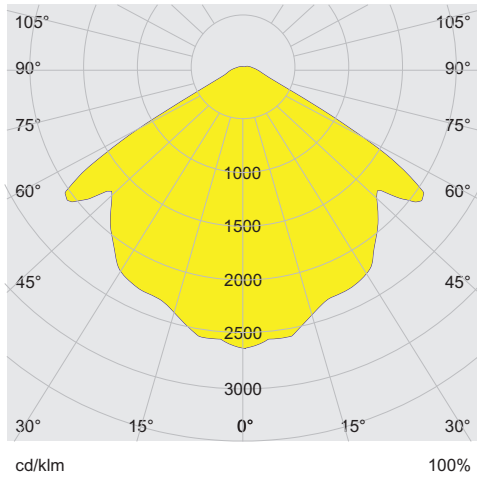
	IECEX / ATEX					
Zone	0	1	2	20	21	22
Installation in		•	•		•	•

Selection Table						
Lamp type	LED					
Lamp wattage	Reflector	Luminous flux	Luminaire efficacy	Product Type	Art. No.	Weight
25 W	Yes	3070 lm	113 lm/W	6057/2212-201-6510-121-200	288971	5.1 kg
	Yes	3070 lm	113 lm/W	6057/2212-201-6530-121-200	288972	5.1 kg
45 W	Yes	4661 lm	104 lm/W	6057/2214-201-6510-121-200	288973	5.1 kg
	Yes	4661 lm	104 lm/W	6057/2214-201-6530-121-200	288974	5.1 kg
65 W	Yes	7093 lm	105 lm/W	6057/2216-201-6510-121-200	288975	5.1 kg
	Yes	7093 lm	105 lm/W	6057/2216-201-6530-121-200	288976	5.1 kg
80 W	Yes	8101 lm	105 lm/W	6057/2218-201-6510-121-200	288977	5.2 kg
	Yes	8101 lm	105 lm/W	6057/2218-201-6530-121-200	288978	5.2 kg

Technical Data				
Variant	25 W	45 W	65 W	80 W
Explosion Protection				
IECEX gas explosion protection	Ex db IIC T6 Gb	Ex db IIC T6 / T5 Gb	Ex db IIC T5 / T4 Gb	Ex db IIC T5 / T4 Gb
IECEX dust explosion protection	Ex tb IIIC T85 °C Db	Ex tb IIIC T85 °C / T100 °C Db	Ex tb IIIC T100 °C / T110 °C Db	Ex tb IIIC T100 °C / T110 °C Db
Certificates and approvals	IECEX	IECEX	IECEX	IECEX
Class	I (inner + outer PE)	I (inner + outer PE)	I (inner + outer PE)	I (inner + outer PE)
IECEX gas certificate	IECEX BVS 21.0049X	IECEX BVS 21.0049X	IECEX BVS 21.0049X	IECEX BVS 21.0049X
IECEX dust certificate	IECEX BVS 21.0049X	IECEX BVS 21.0049X	IECEX BVS 21.0049X	IECEX BVS 21.0049X

Technical Data				
Variant	25 W	45 W	65 W	80 W
Electrical Data				
Rated operational voltage AC	110 – 277 V	110 – 277 V	110 – 277 V	110 – 277 V
Rated operational voltage DC	140 ... 225 V	140 ... 225 V	140 ... 270 V	140 ... 270 V
Nominal Current	0.139 A	0.234 A	0.31 A	0.363 A
Start-up current	$I_{peak} \leq 17 \text{ A}$, $\Delta t = 160 \mu\text{s}$	$I_{peak} \leq 33 \text{ A}$, $\Delta t = 160 \mu\text{s}$	$I_{peak} \leq 64 \text{ A}$, $\Delta t = 108 \mu\text{s}$	$I_{peak} \leq 64 \text{ A}$, $\Delta t = 108 \mu\text{s}$
Surge protection	4KV	4KV	4KV	4KV
Total harmonic distortion	< 11%	< 10%	< 10%	< 10%
Frequency range	50 – 60 Hz	50 – 60 Hz	50 – 60 Hz	50 – 60 Hz
Power factor	≥ 0.96	≥ 0.96	≥ 0.96	≥ 0.96
Input				
Surge protection	4KV	4KV	4KV	4KV
Ambient Conditions				
Storage temperature	-20 °C ... +70 °C	-20 °C ... +70 °C	-20 °C ... +70 °C	-20 °C ... +70 °C
Ambient temperature	-20 °C ... +50 °C	-20 °C ... +50 °C	-20 °C ... +50 °C	-20 °C ... +50 °C
Ambient temperature 2	-20 °C ... +60 °C	-20 °C ... +60 °C	-20 °C ... +60 °C	-20 °C ... +55 °C
Lighting Data				
Colour temperature	5700 K	5700 K	5700 K	5700 K
Colour rendering	≥ 80	≥ 80	≥ 80	≥ 80
Mechanical Data				
Degree of protection (IP)	IP66 / IP67	IP66 / IP67	IP66 / IP67	IP66 / IP67
Impact strength (IEC 62262)	IK10	IK10	IK10	IK10
Enclosure material	Aluminium, Powder-coated	Aluminium, Powder-coated	Aluminium, Powder-coated	Aluminium, Powder-coated
Enclosure colour	Light grey (RAL 7035)	Light grey (RAL 7035)	Light grey (RAL 7035)	Light grey (RAL 7035)
Protective glass material 2	Borosilicate glass	Borosilicate glass	Borosilicate glass	Borosilicate glass
Sealing material	Silicone	Silicone	Silicone	Silicone
Max. finely stranded connection terminals	6 mm ²	6 mm ²	6 mm ²	6 mm ²
Max. solid connection terminals	6 mm ²	6 mm ²	6 mm ²	6 mm ²
Components				
Through wiring	Max. 3 x 10 A	Max. 3 x 10 A	Max. 3 x 10 A	Max. 3 x 10 A
Cable glands and entries	According to the order	According to the order	According to the order	According to the order
Stopping plugs	According to the order	According to the order	According to the order	According to the order
Wire guard	On request	On request	On request	On request

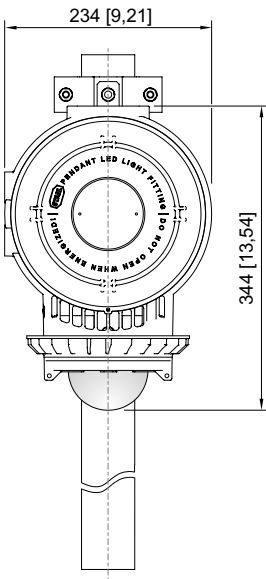
Light Distribution Curves – Subject to Alterations



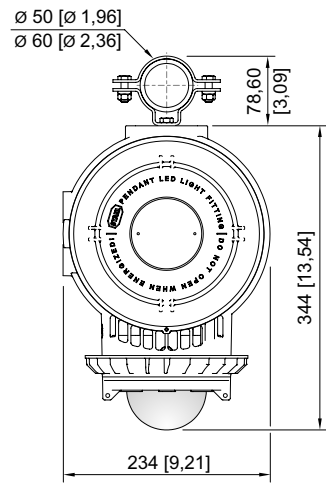
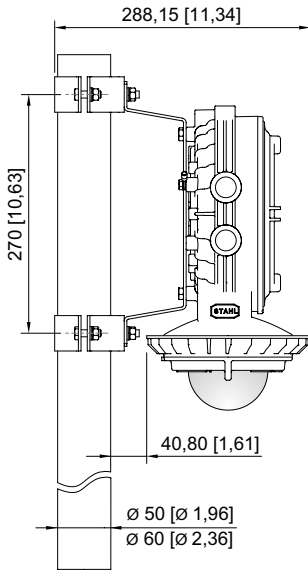
cd/klm 100%
 — C0 - C180 — C90 - C270

Light Distribution Curve 6057

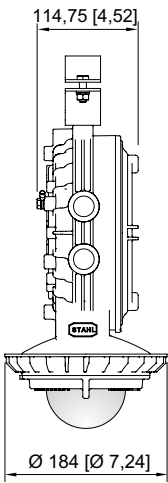
Dimensional Drawings (All Dimensions in mm [inches]) – Subject to Alterations



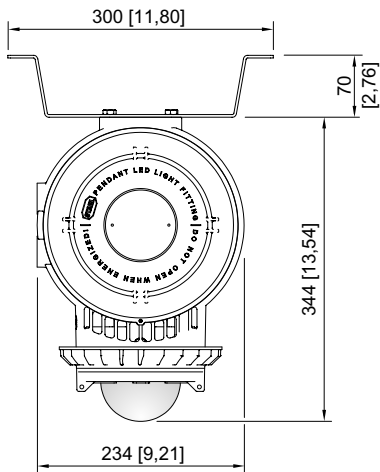
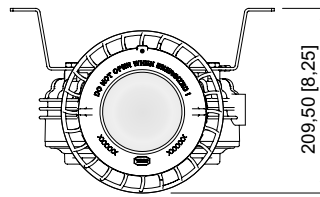
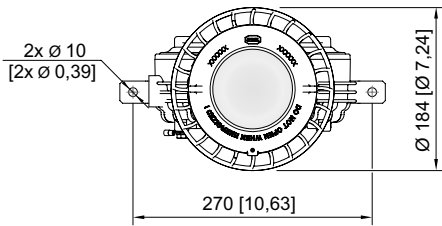
Pipe mounting vertical fitting



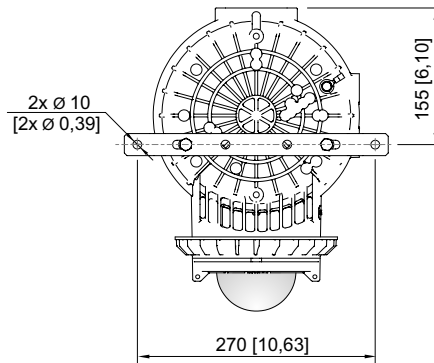
Pipe mounting horizontal fitting



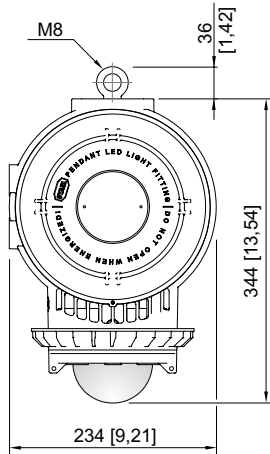
E2



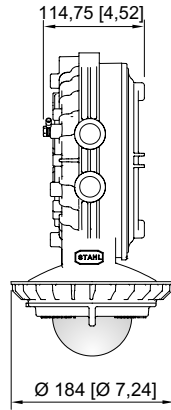
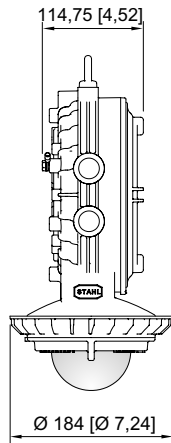
Ceiling mounting top fixing



Ceiling mounting side fixing



Ringbolt



Standard

