



- Different voltage ranges according to EN 60309
- Wide temperature range
- High mechanical impact and shock resistance
- Perfect protection against penetration of liquids and dusts
- Connection of industrial equipment for service work
- With sign "Do not switch on if there is an explosion hazard"
- 3D data for download on the website

E3

WebCode **8571T**



The R. STAHL 8571/51 series SolConeX repair sockets are used for repair work with non-Ex devices (according to IEC/EN 60309) in Zones 1, 2, 21 and 22. They offer full AC-3 switching capacity up to 32 A and can switch motors/pumps, etc. directly. The indicator lamps displaying the operating status and the large handle, which can be locked in the zero position to protect against unauthorised use, provide added safety.

	IECEX / ATEX					
Zone	0	1	2	20	21	22
Installation in		•	•		•	•

Selection Table								
Product Description	Maintenance socket 32 A No mechanical locking device With indicator lamp Maintenance socket							
Figure	Detailed number of poles	Coding (clock hour position)	Rated operational voltage	Colour code	Frequency range	Product Type	Art. No.	Weight
	3 P + N + PE	6	200/346 to 240/415 V AC	Red	50 / 60 Hz	8571/51-506-S-01-0-XX-XXX	297655	-
		7	277/480 to 288/500 V AC	Black	50 / 60 Hz	8571/51-507-S-01-0-XX-XXX	297656	-
	3 P + PE	6	380 to 415 V AC	Red	50 / 60 Hz	8571/51-406-S-01-0-XX-XXX	297657	-
		7	480 to 500 V AC	Black	50 / 60 Hz	8571/51-407-S-01-0-XX-XXX	297658	-

Technical Data	
Explosion Protection	
Scope of validity	European Union (ATEX) IECEX
IECEX gas explosion protection	Ex db eb IIC T6 Gb
IECEX dust explosion protection	Ex tb IIIC T76 °C Db
ATEX gas explosion protection	⊕ II 2 G Ex db eb IIC T6 Gb
ATEX dust explosion protection	⊕ II 2 D Ex tb IIIC T76 °C Db
Certificates	ATEX (PTB), IECEX (PTB)
Electrical Data	
Rated operational current	32 A
Utilisation category	AC-3: 500 V / 32 A DC-1: 110 V / 32 A

Technical Data

Electrical Data

Switching capacity main contacts	7.5 kW: 220 to 240 V 15 kW: 380 to 415 V
----------------------------------	---

Device Specific Data

Back-up fuse with thermal protection	63 A gG
Back-up fuse without thermal protection	35 A gG

Ambient Conditions

Ambient temperature	-50 °C ... +65 °C
---------------------	-------------------

Notes	For further information, see the operating instructions.
-------	--

Mechanical Data

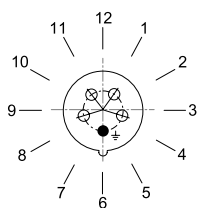
IP degree of protection (IEC 60529)	IP66
IP degree of protection (IEC 60079)	IP64
Enclosure material	Polyamide, Glass fibre reinforced
Silicone-free	No
Solid connection cross-section	1 x 2.5 mm ² ... 2 x 10 mm ²
Finely stranded connection cross-section	1 x 2.5 mm ² ... 2 x 6 mm ²
Impact strength (IEC 60079)	7 J
Impact strength (IEC 62262)	IK10
Lockable in	in 0- and I-position

Components

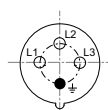
Cable entry note	Entry 1: Lower left Entry 2: Lower right
Entry 1 model	8161/7-M32-2109-LT
Entry 1 type	Polyamide cable gland
Entry 1	M32 x 1.5
Entry 1 terminal area	9 – 21 mm
Metal entry possible 1	No
Entry 2 model	8290/3-M32
Entry 2 type	Polyamide stopping plug
Entry 2	M32 x 1.5
Metal entry possible 2	No

Arrangement of earth contact sleeves

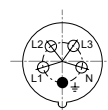
Time position
Example: 6h position



Arrangement of socket contacts and terminal markings



3 P + PE



3 P + N + PE

Arrangement of the socket contacts and terminal markings in the 6h position
(view from the front side of the shrouded socket outlet to the socket contacts)

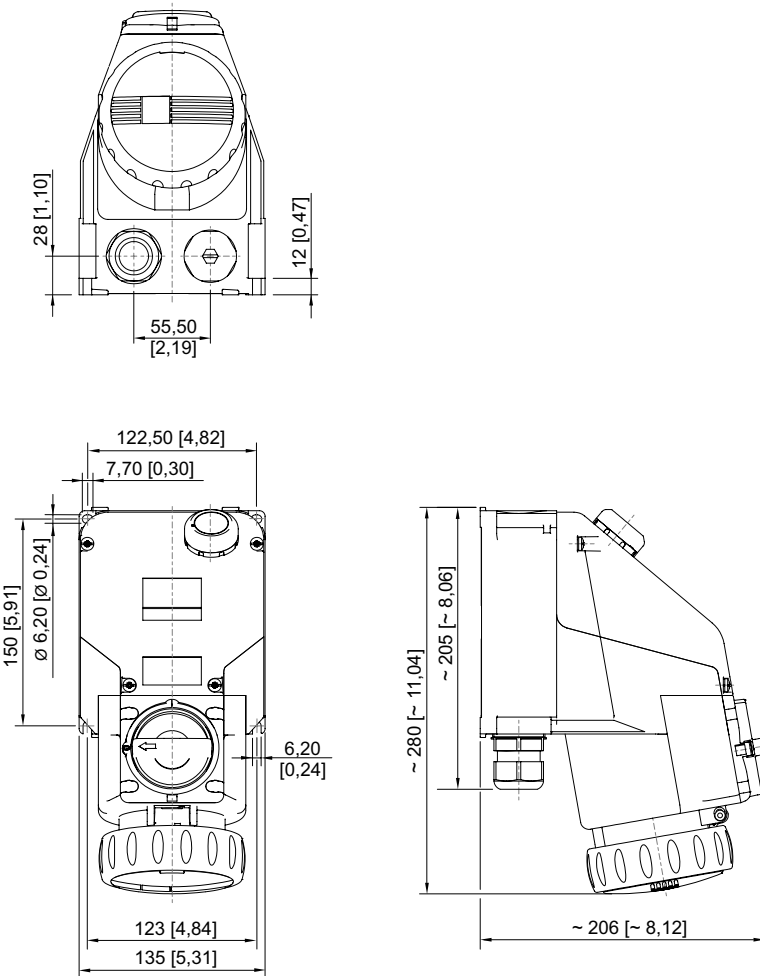
Accessories

Figure	Description	Art. No.	Weight
Dust cover for sockets, series 8571			
	Retrofittable dust protection for 4-pole sockets	255005	9 g
	Retrofittable dust protection for 5-pole sockets	253117	9 g

Spare Parts

Figure	Description	Art. No.	Weight
Repair set for sockets series 8571			
	8571 4-pole hinged cover repair set, black	275505	165 g
	8571 4-pole hinged cover repair set, red	275504	165 g
	8571 5-pole hinged cover repair set, black	275490	170 g
	8571 5-pole hinged cover repair set, red	275489	170 g

Dimensional Drawings (All Dimensions in mm [inches]) – Subject to Alterations



4-pole/5-pole maintenance socket