



- Different voltage ranges according to EN 60309
- Large temperature range of use
- Small dimensions for integration into machines and connection chambers
- High mechanical impact and shock resistance
- Perfect protection against penetration of liquids and dusts
- 3D data for download on the website
- Variants for use in USA/Canada available on request

E3

WebCode **8570R**



The R. STAHL 8570/15 series SolConeX flange sockets for zone 1/21 in 3-, 4- and 5-pole versions have full AC-3 switching capacity up to 16 A. Self-cleaning lamellar contacts provide optimum contact and the plugs can be inserted and removed in the zero position quickly and easily. The load disconnect switch, with mechanical locking device and a handle that can be locked in the 0 or I position, is an additional safety feature. Thanks to the compact structure, the flange socket can be integrated into nearly all enclosures and, with the internal locking device, provides a fast and safe connection of devices.

	IECEX / ATEX					
Zone	0	1	2	20	21	22
Installation in		•	•		•	•

Selection Table								
Product Description	Flange socket 16 A Flange socket							
Figure	Detailed number of poles	Coding (clock hour position)	Rated operational voltage	Colour code	Frequency range	Product Type	Art. No.	Weight
	1 P + N + PE	4	100 to 130 V AC	Yellow	50 / 60 Hz	8570/15-304-S-XX-X-00-XXX	272863	700 g
		5	277 V AC	Light grey	60 Hz	8570/15-305-S-XX-X-00-XXX	272864	700 g
	2 P + PE	2	> 50 V AC	Green	> 300 – 500 Hz	8570/15-302-S-XX-X-00-XXX	272861	700 g
		3	> 50 to 110 V DC	Light grey	–	8570/15-303-S-XX-X-00-XXX	272862	700 g
		6	200 to 250 V AC	Blue	50 / 60 Hz	8570/15-306-S-XX-X-00-XXX	272865	700 g
		7	480 to 500 V AC	Black	50 / 60 Hz	8570/15-307-S-XX-X-00-XXX	272866	700 g
		9	380 to 415 V AC	Red	50 / 60 Hz	8570/15-309-S-XX-X-00-XXX	272867	700 g

**Selection Table**

Product Description		Flange socket 16 A Flange socket						
Figure	Detailed number of poles	Coding (clock hour position)	Rated operational voltage	Colour code	Frequency range	Product Type	Art. No.	Weight
	3 P + N + PE	3	220/380 V AC	Red	50 Hz	8570/15-503-S-XX-X-00-XXX	272845	1 kg
		4	57/100 to 75/130 V AC	Yellow	50 / 60 Hz	8570/15-504-S-XX-X-00-XXX	272846	1 kg
		5	347/600 to 400/690 V AC	Black	50 / 60 Hz	8570/15-505-S-XX-X-00-XXX	272847	1 kg
		6	200/346 to 240/415 V AC	Red	50 / 60 Hz	8570/15-506-S-XX-X-00-XXX	272848	1 kg
		7	277/480 to 288/500 V AC	Black	50 / 60 Hz	8570/15-507-S-XX-X-00-XXX	272849	1 kg
		9	120/208 to 144/250 V AC	Blue	50 / 60 Hz	8570/15-509-S-XX-X-00-XXX	272850	1 kg
		11	250/440 to 265/460 V AC	Red	60 Hz	8570/15-511-S-XX-X-00-XXX	272851	1 kg
	3 P + PE	2	> 50 V AC	Green	> 300 – 500 Hz	8570/15-402-S-XX-X-00-XXX	272852	900 g
		3	380 V AC	Red	50 Hz	8570/15-403-S-XX-X-00-XXX	272853	900 g
		4	100 to 130 V AC	Yellow	50 / 60 Hz	8570/15-404-S-XX-X-00-XXX	272854	900 g
		5	600 to 690 V AC	Black	50 / 60 Hz	8570/15-405-S-XX-X-00-XXX	272855	900 g
		6	380 to 415 V AC	Red	50 / 60 Hz	8570/15-406-S-XX-X-00-XXX	272856	900 g
		7	480 to 500 V AC	Black	50 / 60 Hz	8570/15-407-S-XX-X-00-XXX	272857	900 g
		9	200 to 250 V AC	Blue	50 / 60 Hz	8570/15-409-S-XX-X-00-XXX	272858	900 g
		10	> 50 V AC	Green	100 – 300 Hz	8570/15-410-S-XX-X-00-XXX	272859	900 g
		11	440 to 460 V AC	Red	60 Hz	8570/15-411-S-XX-X-00-XXX	272860	900 g

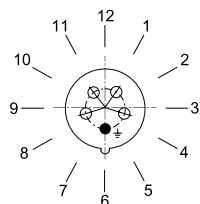
**Technical Data**

Variant	Flange socket 16 A
<b>Explosion Protection</b>	
Scope of validity	European Union (ATEX) IECEX
Scope of validity Note	Other country markings available on request
IECEX gas explosion protection	Ex db eb IIC Gb
IECEX dust explosion protection	Ex tb IIIC Db
ATEX gas explosion protection	Ⓔ II 2 G Ex db eb IIC Gb
ATEX dust explosion protection	Ⓔ II 2 D Ex tb IIIC Db
Certificates	ATEX (PTB), Brazil (ULB), China (CQST), IECEX (PTB)
Ship approval	DNV
<b>Electrical Data</b>	
Rated operational current	16 A
Rated operational current note	Usable for up to 20 A depending on the connection cross-section
Utilisation category	AC-3: 690 V / 16 A AC-3: 500 V / 20 A DC-1: 110 V / 16 A UL508: 600 V / 20 A
Switching capacity main contacts	4 kW: 200 to 250 V AC 7.5 kW: 380 to 500 V AC 11 kW: 600 to 690 V AC

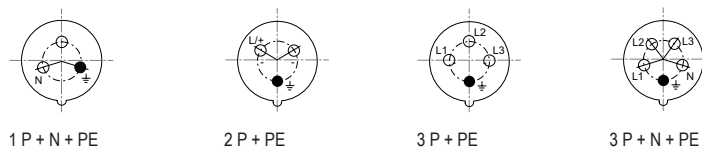
Technical Data	
<b>Variant</b>	<b>Flange socket 16 A</b>
<b>Electrical Data</b>	
Notes	The current must be reduced to 12 A for frequencies $\geq 100$ Hz
<b>Device Specific Data</b>	
Back-up fuse with thermal protection	35 A gG
Back-up fuse without thermal protection	16 A gG
<b>Ambient Conditions</b>	
Ambient temperature	-50 °C to +65 °C
Notes	For further information, see the operating instructions.
<b>Mechanical Data</b>	
IP degree of protection (IEC 60529)	IP66
IP degree of protection (IEC 60079)	IP64
Enclosure material	Polyamide, Glass fibre reinforced
Silicone-free	No
Solid connection cross-section	1 x 1.5 mm <sup>2</sup> ... 2 x 6 mm <sup>2</sup>
Finely stranded connection cross-section	1 x 1.5 mm <sup>2</sup> ... 2 x 4 mm <sup>2</sup>
Impact strength (IEC 60079)	7 J
Impact strength (IEC 62262)	IK10
Lockable in	in 0- and I-position
Interlock	Prevents the plug from being pulled under load

### Arrangement of earth contact sleeves

Time position  
Example: 6h position



### Arrangement of socket contacts and terminal markings



Arrangement of the socket contacts and terminal markings in the 6h position (view from the front side of the socket to the socket contacts)

### Accessories

Figure	Description	Art. No.	Weight
Auxiliary contact optional, can be connected by the user, easy to retrofit			
	1 NC max. 500 V AC, max. 110 V DC max. 6 A 1 x 0.5 to 2 x 2.5 mm <sup>2</sup> solid/finely stranded	150680	125 g
	1 NC, gold-plated contact max. 500 V AC, max. 110 V DC max. 6 A 1 x 0.5 to 2 x 2.5 mm <sup>2</sup> solid/finely stranded	150684	125 g
	1 NO max. 500 V AC, max. 110 V DC max. 6 A 1 x 0.5 to 2 x 2.5 mm <sup>2</sup> solid/finely stranded	150682	125 g
	1 NO, gold-plated contact max. 500 V AC, max. 110 V DC max. 6 A 1 x 0.5 to 2 x 2.5 mm <sup>2</sup> solid/finely stranded	150686	125 g

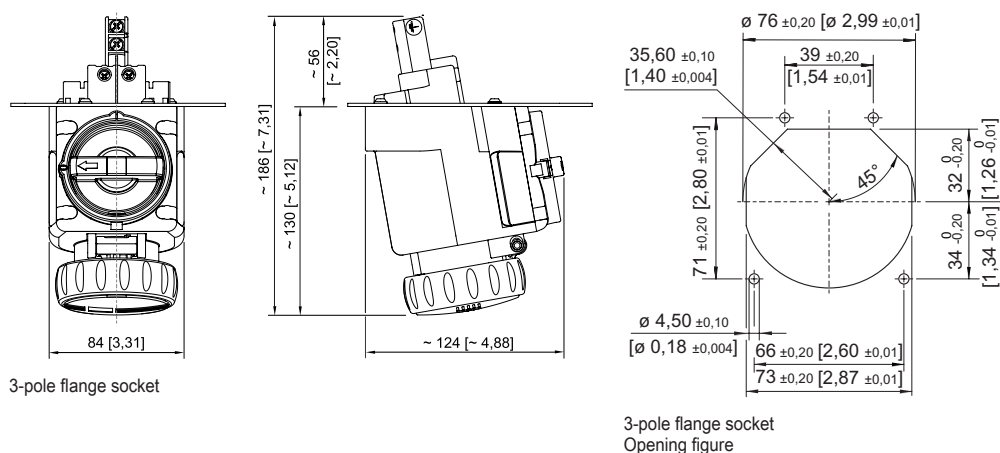
## Accessories

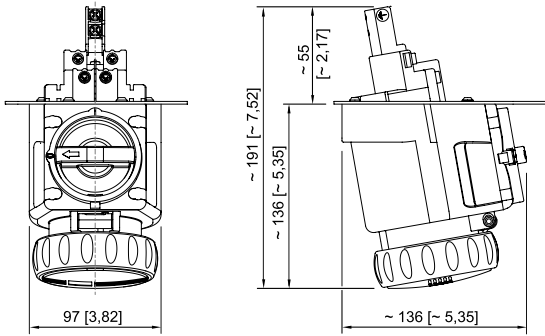
Figure	Description	Art. No.	Weight
Dust cover for sockets, series 8570			
	Retrofittable dust protection for 3-pole sockets	253118	6 g
	Retrofittable dust protection for 4-pole sockets	255003	8 g
	Retrofittable dust protection for 5-pole sockets	255004	8 g

## Spare Parts

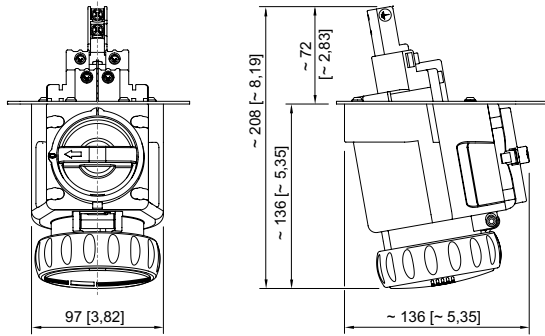
Figure	Description	Art. No.	Weight
Repair set for sockets series 8570			
	8570 3-pole hinged cover repair set, black	274119	95 g
	8570 3-pole hinged cover repair set, blue	274116	95 g
	8570 3-pole hinged cover repair set, green	274115	95 g
	8570 3-pole hinged cover repair set, light grey	274121	95 g
	8570 3-pole hinged cover repair set, red	274118	95 g
	8570 3-pole hinged cover repair set, yellow	274117	95 g
	8570 4-pole hinged cover repair set, black	274114	115 g
	8570 4-pole hinged cover repair set, blue	274111	115 g
	8570 4-pole hinged cover repair set, green	274110	115 g
	8570 4-pole hinged cover repair set, red	274113	115 g
	8570 4-pole hinged cover repair set, yellow	274112	115 g
	8570 5-pole hinged cover repair set, black	274109	125 g
	8570 5-pole hinged cover repair set, blue	274106	125 g
	8570 5-pole hinged cover repair set, red	274108	125 g
	8570 5-pole hinged cover repair set, yellow	274107	125 g

## Dimensional Drawings (All Dimensions in mm [inches]) – Subject to Alterations

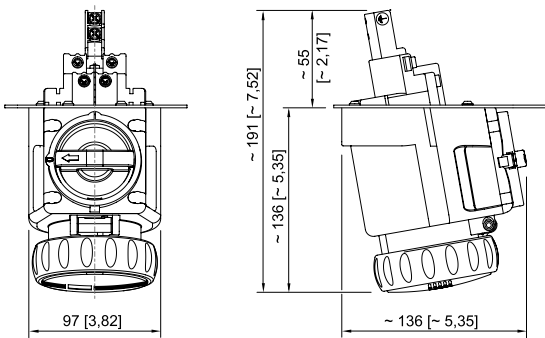




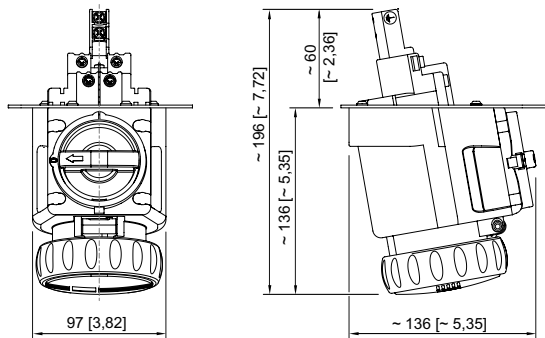
4-pole flange socket  
Clock hour position 2 h, 3 h, 4 h



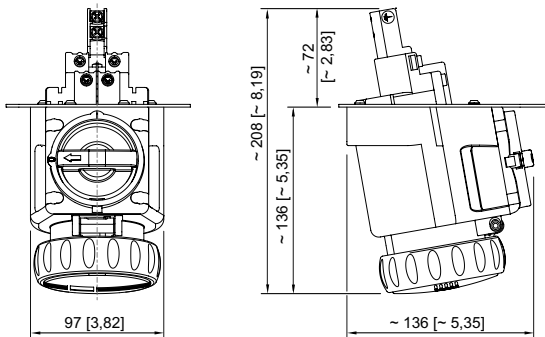
4-pole flange socket  
Clock hour position 5 h, 6 h, 7 h



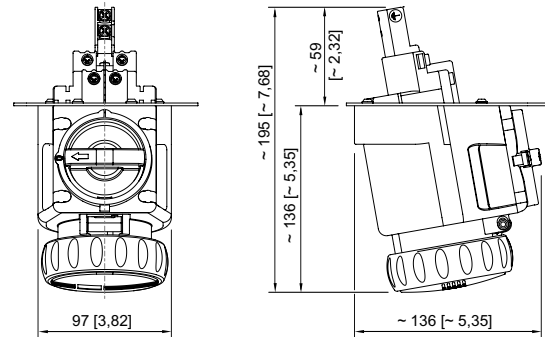
4-pole flange socket  
Clock hour position 9 h, 10 h, 11 h



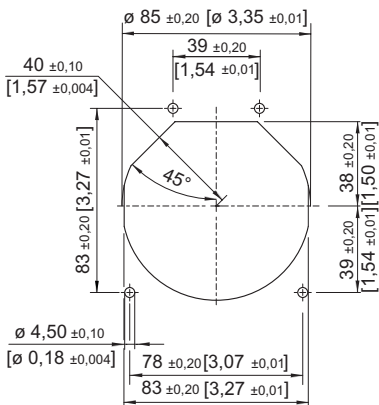
5-pole flange socket  
Clock hour position 2 h, 3 h, 4 h



5-pole flange socket  
Clock hour position 5 h, 6 h, 7 h



5-pole flange socket  
Clock hour position 9 h, 10 h, 11 h



4-/5-pole flange socket  
Opening figure