



- Different voltage ranges according to EN 60309
- Large temperature range of use
- High mechanical impact and shock resistance
- Perfect protection against penetration of liquids and dusts
- 3D data for download on the website
- Appropriate Series 8570/22 plug

E3

## MY R. STAHL 8570U



R. STAHL Series 8570/21 SolConeX sockets constitute explosion-protected electrical equipment. They are approved for use in hazardous areas that are classified for the division or zone according to NEC 505. The high degree of protection guarantees the highest level of protection against the ingress of dust and/or water in any application position. Self-cleaning lamellar contacts provide optimum contact and the plugs can be inserted and removed in the zero position quickly and easily. The load disconnect switch, with a mechanical locking device and a handle that can be locked in the 0 or I position, is an additional safety feature.

|                 | IECEX / ATEX |   |   |    |    |    |
|-----------------|--------------|---|---|----|----|----|
|                 | 0            | 1 | 2 | 20 | 21 | 22 |
| Zone            |              |   |   |    |    |    |
| Installation in |              | • | • |    | •  | •  |

|                 | NEC® 500<br>CE Code Appendix J |   |          |   |           |   |
|-----------------|--------------------------------|---|----------|---|-----------|---|
|                 | Class I                        |   | Class II |   | Class III |   |
| Division        | 1                              | 2 | 1        | 2 | 1         | 2 |
| Installation in |                                | • | •        | • | •         | • |

|                 | CE Code Section 18  |   |   |          |    |    |
|-----------------|---------------------|---|---|----------|----|----|
|                 | NEC® 505<br>Class I |   |   | NEC® 506 |    |    |
| Zone            | 0                   | 1 | 2 | 20       | 21 | 22 |
| Installation in |                     | • | • |          | •  | •  |

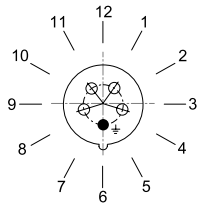
| Selection Table           |                          |                              |                           |             |                 |               |                           |          |         |
|---------------------------|--------------------------|------------------------------|---------------------------|-------------|-----------------|---------------|---------------------------|----------|---------|
| Product Description       |                          |                              |                           |             |                 |               |                           |          |         |
| Wall-mounting socket 20 A |                          |                              |                           |             |                 |               |                           |          |         |
| Figure                    | Detailed number of poles | Coding (clock hour position) | Rated operational voltage | Colour code | Frequency range | Nominal power | Product Type              | Art. No. | Weight  |
|                           | 2-pole, 3 conductors     | 4                            | 100 to 130 V AC           | Yellow      | 50 / 60 Hz      | 1.5 HP        | 8570/21-304-S-51-0-00-XXX | 290313   | 1.12 kg |
|                           |                          | 6                            | 200 to 250 V AC           | Blue        | 50 / 60 Hz      | 3 HP          | 8570/21-306-S-51-0-00-XXX | 290314   | 1.12 kg |
|                           |                          | 7                            | 480 V AC                  | Red         | 50 / 60 Hz      | 5 HP          | 8570/21-307-S-51-0-00-XXX | 290315   | 1.12 kg |
|                           | 3-pole, 4 conductors     | 5                            | 600 V AC                  | Black       | 50 / 60 Hz      | 15 HP         | 8570/21-405-S-51-0-00-XXX | 290310   | 1.35 kg |
|                           |                          | 7                            | 480 V AC                  | Red         | 50 / 60 Hz      | 10 HP         | 8570/21-407-S-51-0-00-XXX | 290311   | 1.35 kg |
|                           |                          | 9                            | 200 to 250 V AC           | Blue        | 50 / 60 Hz      | 5 HP          | 8570/21-409-S-51-0-00-XXX | 290312   | 1.35 kg |
|                           | 4-pole, 5 conductors     | 5                            | 347 to 400/600 V AC       | Black       | 50 / 60 Hz      | 15 HP         | 8570/21-505-S-51-0-00-XXX | 290307   | 1.45 kg |
|                           |                          | 7                            | 277/480 V AC              | Red         | 50 / 60 Hz      | 10 HP         | 8570/21-507-S-51-0-00-XXX | 290308   | 1.45 kg |
|                           |                          | 9                            | 120/208 to 144/250 V AC   | Blue        | 50 / 60 Hz      | 5 HP          | 8570/21-509-S-51-0-00-XXX | 290309   | 1.45 kg |

| Technical Data                               |  |
|--|--|
| <b>Explosion Protection</b>                  |  |
| Scope of validity                            | European Union (ATEX)<br>Canada<br>IECEX<br>USA  |
| FMus certificate                             | FM20US0116X  |
| cFM certificate                              | FM20CA0056X  |
| Marking FMus                                 | Class I, Div. 2, Groups A,B,C,D;<br>Class II, III, Div. 1, Groups E,F,G;<br>Enclosure Type 3, 4, 4X<br>Class I, Zone 1, AEx db eb IIC T6 ... T5 Gb<br>Zone 21, AEx tb IIIC T80 °C Db |
| Marking cFM                                  | Ex db eb IIC T6 ... T5 Gb<br>Class I, Div. 2, Groups A,B,C,D;<br>Class II, III, Div. 1, Groups E,F,G;<br>Enclosure Type 3, 4, 4X<br>Ex tb IIIC T80 °C Db                             |
| IECEX gas explosion protection               | Ex db eb IIC T6 ... T5 Gb  |
| IECEX dust explosion protection              | Ex tb IIIC T73 °C Db   |
| ATEX gas explosion protection                | Ⓜ II 2 G Ex db eb IIC T6 ... T5 Gb   |
| ATEX dust explosion protection               | Ⓜ II 2 D Ex tb IIIC T73 °C Db  |
| Certificates                                 | ATEX (PTB), Brazil (ULB), Canada (FM), China (CQST), IECEX (PTB), Taiwan (ITRI), USA (FM)  |
| Ship approval                                | DNV  |
| <b>Electrical Data</b>                       |  |
| Rated operational current                    | 20 A   |
| <b>Device Specific Data</b>                  |  |
| Back-up fuse with thermal protection         | 35 A gG  |
| Back-up fuse without thermal protection      | 20 A gG  |
| <b>Ambient Conditions</b>                    |  |
| Ambient temperature                          | -58 °F to +149 °F  |
| Ambient temperature                          | -50 °C to +65 °C   |
| Notes  | For further information, see the operating instructions.   |
| <b>Mechanical Data</b>                       |  |
| Enclosure type (NEMA250)                     | 3, 4, 4X   |
| Degree of protection IP (IEC 60529)          | IP66   |
| IP degree of protection (IEC 60079)          | IP64   |
| Enclosure material                           | Polyamide, Glass fibre reinforced  |
| Silicone-free                                | No   |
| Connection cross-section AWG single stranded | 1 x AWG 16 ... 2 x AWG 10  |
| Solid connection cross-section               | 1 x 1.5 mm <sup>2</sup> ... 2 x 6 mm <sup>2</sup>  |
| Finely stranded connection cross-section AWG | 1 x AWG 16 ... 2 x AWG 12  |
| Finely stranded connection cross-section     | 1 x 1.5 mm <sup>2</sup> ... 2 x 4 mm <sup>2</sup>  |
| Impact strength (IEC 60079)                  | 7 J  |
| Impact strength (IEC 62262)                  | IK10   |
| Lockable in                                  | in 0- and I-position   |
| Interlock                                    | Prevents the plug from being pulled under load   |
| <b>Components</b>                            |  |
| Cable entry note                             | Entry 1: Bottom left<br>Entry 2: Bottom right  |
| Entry 1 model                                | Can be ordered as accessories  |
| Entry 1                                      | NPT 3/4"   |
| Metal entry possible 1                       | Yes  |
| Entry 2 model                                | CMP-767D M25   |
| Entry 2 type                                 | Stopping plug NB   |

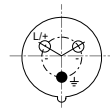
| Technical Data         |   |
|------------------------|---|
| Components             |   |
| Entry 2                | M25 x 1.5   |
| Metal entry possible 2 | No  |
| Notes                  | Metal insert: Contains a brass plate with threaded holes<br>Cable gland position: Bottom (standard); optionally also on the top or side |

### Arrangement of earth contact sleeves

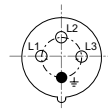
Position of clock hour position  
Example: 6 h position



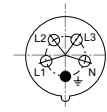
### Arrangement of socket contacts and terminal markings



2 P + PE



3 P + PE



3 P + N + PE

Arrangement of the socket contacts and terminal markings in the 6 h position  
(view from the front side of the sockets to the socket contacts)

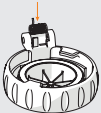
### Accessories

| Figure  | Description   | Art. No. | Weight |
|---|---|----------|--------|
| Auxiliary contact optional, pluggable by the user, easy to retrofit |   |          |        |
|   | 1 NC<br>Max. 500 V AC, max. 110 V DC<br>Max. 6 A<br>1 x AWG 20 to 2 x AWG 14, 1 x 0.5 to 2 x 2.5 mm <sup>2</sup> , solid/finely stranded                      | 150688   | 20 g   |
|   | 1 NO<br>Max. 500 V AC, max. 110 V DC<br>Max. 6 A<br>1 x AWG 20 to 2 x AWG 14, 1 x 0.5 to 2 x 2.5 mm <sup>2</sup> , solid/finely stranded                      | 150690   | 200 g  |
|   | 1 NO, gold-plated contact<br>Max. 500 V AC, max. 110 V DC<br>Max. 6 A<br>1 x AWG 20 to 2 x AWG 14, 1 x 0.5 to 2 x 2.5 mm <sup>2</sup> , solid/finely stranded | 150692   | 1 g    |
| Dust cover for sockets, series 8570                                 |   |          |        |
|   | Retrofittable dust protection for 3-pole sockets  | 253118   | 6 g    |
| Dust cover for sockets, Series 8570                                 |   |          |        |
|   | Retrofittable dust protection for 4-pole sockets  | 255003   | 8 g    |
| Dust cover for sockets, series 8570                                 |   |          |        |
|   | Retrofittable dust protection for 5-pole sockets  | 255004   | 8 g    |

**Accessories**

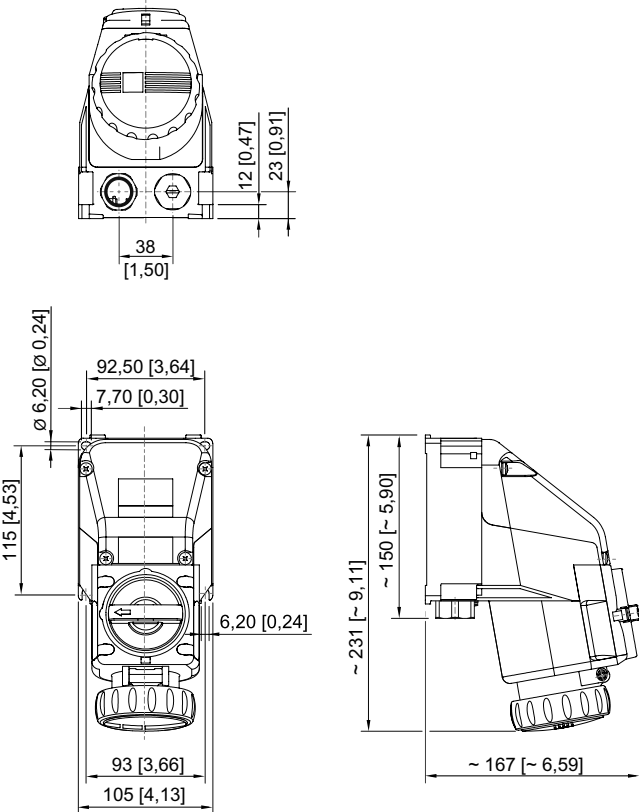
| Figure  | Description   | Art. No. | Weight |
|---|---|----------|--------|
| <b>Plug</b>   |   |          |        |
|  | 8570/22-304-S-XX-X-XX-XXX plug, 2-pole, 3-wire, 100 to 130 V AC, 50/60 Hz, 20 A         | 291381   | 331 g  |
|   | 8570/22-306-S-XX-X-XX-XXX plug, 2-pole, 3-wire, 200 to 250 V AC, 50/60 Hz, 20 A         | 291382   | 331 g  |
|   | 8570/22-307-S-XX-X-XX-XXX plug, 2-pole, 3-wire, 480 V AC, 50/60 Hz, 20 A                | 291383   | 331 g  |
|   | 8570/22-405-S-XX-X-XX-XXX plug, 3-pole, 4-wire, 600 V AC, 50/60 Hz, 20 A                | 291378   | 384 g  |
|   | 8570/22-407-S-XX-X-XX-XXX plug, 3-pole, 4-wire, 480 V AC, 50/60 Hz, 20 A                | 291379   | 384 g  |
|   | 8570/22-409-S-XX-X-XX-XXX plug, 3-pole, 4-wire, 200 to 250 V AC, 50/60 Hz, 20 A         | 291380   | 384 g  |
|   | 8570/22-505-S-XX-X-XX-XXX plug, 4-pole, 5-wire, 347 to 400/600 V AC, 50/60 Hz, 20 A     | 291375   | 444 g  |
|   | 8570/22-507-S-XX-X-XX-XXX plug, 4-pole, 5-wire, 277/480 V AC, 50/60 Hz, 20 A            | 291376   | 444 g  |
|   | 8570/22-509-S-XX-X-XX-XXX plug, 4-pole, 5-wire, 120/208 to 144/250 V AC, 50/60 Hz, 20 A | 291377   | 444 g  |

**Spare Parts**

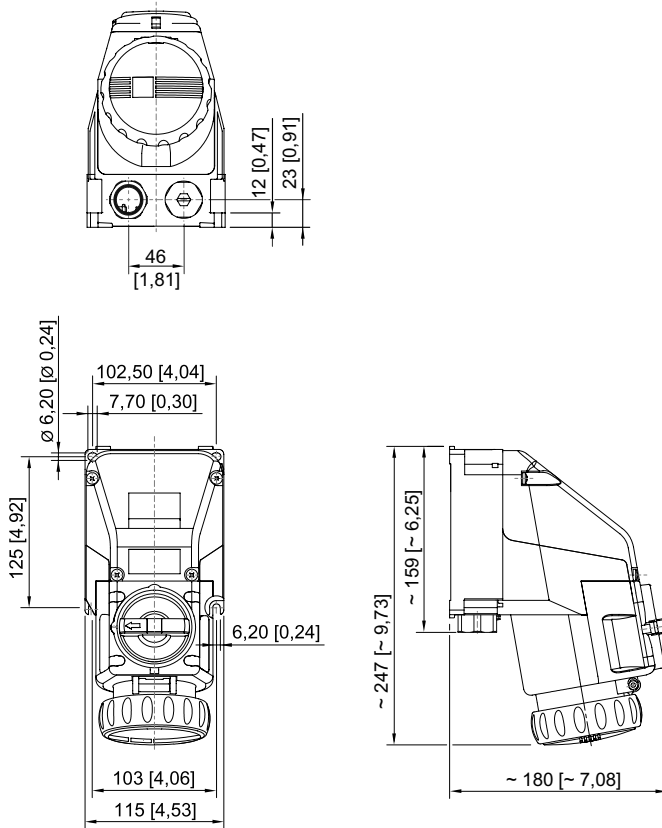
| Figure   | Description                                  | Art. No. | Weight |
|--|--|----------|--------|
| <b>Repair set for Series 8570 sockets</b>  |  |          |        |
|  | Repair set 8570 hinged cover, 3-pole, blue   | 274116   | 95 g   |
|  | Repair set 8570 hinged cover, 3-pole, red    | 274118   | 95 g   |
|  | Repair set 8570 hinged cover, 3-pole, yellow | 274117   | 95 g   |
|  | Repair set 8570 hinged cover, 4-pole, black  | 274114   | 115 g  |
|  | Repair set 8570 hinged cover, 4-pole, blue   | 274111   | 115 g  |
|  | Repair set 8570 hinged cover, 4-pole, red    | 274113   | 115 g  |
|  | Repair set 8570 hinged cover, 5-pole, black  | 274109   | 125 g  |
|  | Repair set 8570 hinged cover, 5-pole, blue   | 274106   | 125 g  |
|  | Repair set 8570 hinged cover, 5-pole, red    | 274108   | 125 g  |

Dimensional Drawings (All Dimensions in mm [inches]) – Subject to Alterations

E3



E3



4-pole/5-pole wall-mounting socket