



- Different voltage ranges according to EN 60309
- Large temperature range of use
- Small dimensions for integration into machines and connection chambers
- High mechanical impact and shock resistance
- Perfect protection against penetration of liquids and dusts
- 3D data for download on the website
- Variants for use in USA/Canada available on request

E3

WebCode **8571R**



The R. STAHL 8571/15 series SolConeX flange sockets for Zone 1/21 in 4- and 5-pole versions have full AC-3 switching capacity up to 32 A. Self-cleaning lamellar contacts provide optimum contact and the plugs can be inserted and removed in the zero position quickly and easily. The load disconnect switch, with mechanical locking device and a handle that can be locked in the 0 or I position, is an additional safety feature. Thanks to the compact structure, the flange socket can be integrated into nearly all enclosures and, with the internal locking device, provides a fast and safe connection of devices.

	IECEx / ATEX					
Zone	0	1	2	20	21	22
Installation in		•	•		•	•

Selection Table								
Product Description	Flange socket 32 A Flange socket							
Figure	Detailed number of poles	Coding (clock hour position)	Rated operational voltage	Colour code	Frequency range	Product Type	Art. No.	Weight
	3 P + N + PE	3	220/380 V AC	Red	50 Hz	8571/15-503-S-XX-X-00-XXX	275664	1.5 kg
		4	57/100 to 75/130 V AC	Yellow	50 / 60 Hz	8571/15-504-S-XX-X-00-XXX	275665	1.5 kg
		5	347/600 to 400/690 V AC	Black	50 / 60 Hz	8571/15-505-S-XX-X-00-XXX	275666	1.5 kg
		6	200/346 to 240/415 V AC	Red	50 / 60 Hz	8571/15-506-S-XX-X-00-XXX	275667	1.5 kg
		7	277/480 to 288/500 V AC	Black	50 / 60 Hz	8571/15-507-S-XX-X-00-XXX	275668	1.5 kg
		9	120/208 to 144/250 V AC	Blue	50 / 60 Hz	8571/15-509-S-XX-X-00-XXX	275669	1.5 kg
		11	250/440 to 265/460 V AC	Red	60 Hz	8571/15-511-S-XX-X-00-XXX	275670	1.5 kg

**Selection Table**

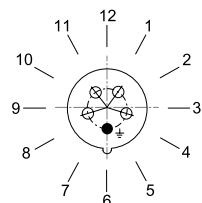
Product Description		Flange socket 32 A Flange socket						
Figure	Detailed number of poles	Coding (clock hour position)	Rated operational voltage	Colour code	Frequency range	Product Type	Art. No.	Weight
	3 P + PE	5	600 to 690 V AC	Black	50 / 60 Hz	8571/15-405-S-XX-X-00-XXX	275671	1.3 kg
		6	380 to 415 V AC	Red	50 / 60 Hz	8571/15-406-S-XX-X-00-XXX	275672	1.3 kg
		7	480 to 500 V AC	Black	50 / 60 Hz	8571/15-407-S-XX-X-00-XXX	275673	1.3 kg
		9	200 to 250 V AC	Blue	50 / 60 Hz	8571/15-409-S-XX-X-00-XXX	275674	1.3 kg
		10	> 50 V AC	Green	100 – 300 Hz	8571/15-410-S-XX-X-00-XXX	275675	1.3 kg
		11	440 to 460 V AC	Red	60 Hz	8571/15-411-S-XX-X-00-XXX	275676	1.3 kg

**Technical Data**

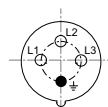
<b>Explosion Protection</b>	
Scope of validity	European Union (ATEX) IECEX
Scope of validity Note	Other country markings available on request
IECEX gas explosion protection	Ex db eb IIC Gb
IECEX dust explosion protection	Ex tb IIIC Db
ATEX gas explosion protection	Ⓔ II 2 G Ex db eb IIC Gb
ATEX dust explosion protection	Ⓔ II 2 D Ex tb IIIC Db
Certificates	ATEX (PTB), Brazil (ULB), China (CQST), IECEX (PTB)
Ship approval	DNV
<b>Electrical Data</b>	
Rated operational current	32 A
Utilisation category	AC-3: 690 V / 32 A DC-1: 110 V / 32 A UL508: 600 V / 30 A
Switching capacity main contacts	7.5 kW: 220 to 240 V 15 kW: 380 to 415 V 30 kW: 600 to 690 V
Notes	The current must be reduced to 25 A for frequencies ≥ 100 Hz
<b>Device Specific Data</b>	
Back-up fuse with thermal protection	63 A gG
Back-up fuse without thermal protection	35 A gG
<b>Ambient Conditions</b>	
Ambient temperature	-50 °C to +65 °C
Notes	For further information, see the operating instructions.
<b>Mechanical Data</b>	
IP degree of protection (IEC 60529)	IP66
IP degree of protection (IEC 60079)	IP64
Enclosure material	Polyamide, Glass fibre reinforced
Silicone-free	No
Solid connection cross-section	1 x 2.5 mm <sup>2</sup> ... 2 x 10 mm <sup>2</sup>
Finely stranded connection cross-section	1 x 2.5 mm <sup>2</sup> ... 2 x 6 mm <sup>2</sup>
Impact strength (IEC 60079)	7 J
Impact strength (IEC 62262)	IK10
Lockable in	in 0- and I-position
Interlock	Prevents the plug from being pulled under load

## Arrangement of earth contact sleeves

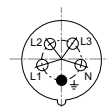
Time position  
Example: 6h position



## Arrangement of socket contacts and terminal markings



3 P + PE



3 P + N + PE

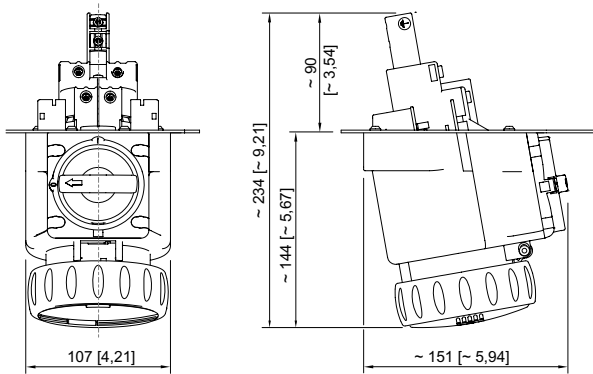
Arrangement of the socket contacts and terminal markings in the 6h position  
(view from the front side of the shrouded socket outlet to the socket contacts)

## Accessories

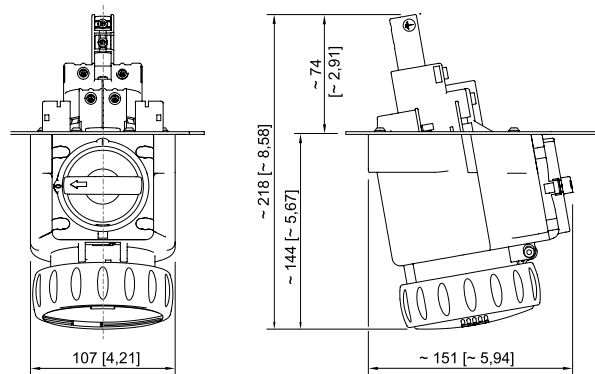
Figure	Description	Art. No.	Weight
Auxiliary contact optional, can be connected by the user, easy to retrofit			
	1 NC max. 500 V AC, max. 110 V DC max. 6 A 1 x 0.5 to 2 x 2.5 mm <sup>2</sup> solid/finely stranded	150680	125 g
	1 NC, gold-plated contact max. 500 V AC, max. 110 V DC max. 6 A 1 x 0.5 to 2 x 2.5 mm <sup>2</sup> solid/finely stranded	150684	125 g
	1 NO max. 500 V AC, max. 110 V DC max. 6 A 1 x 0.5 to 2 x 2.5 mm <sup>2</sup> solid/finely stranded	150682	125 g
	1 NO, gold-plated contact max. 500 V AC, max. 110 V DC max. 6 A 1 x 0.5 to 2 x 2.5 mm <sup>2</sup> solid/finely stranded	150686	125 g
Dust cover for sockets, series 8571			
	Retrofittable dust protection for 4-pole sockets	255005	9 g
	Retrofittable dust protection for 5-pole sockets	253117	9 g

## Spare Parts

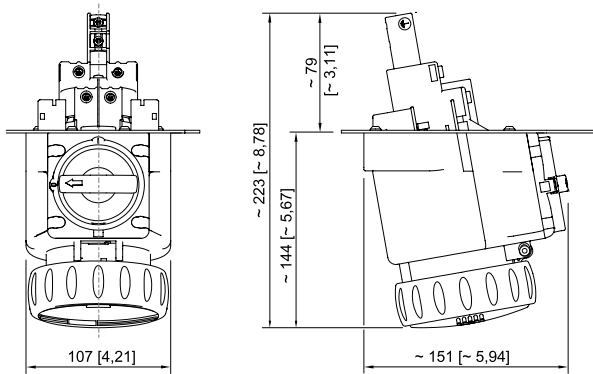
Figure	Description	Art. No.	Weight
Repair set for sockets series 8571			
	8571 4-pole hinged cover repair set, black	275505	165 g
	8571 4-pole hinged cover repair set, blue	275502	165 g
	8571 4-pole hinged cover repair set, green	275501	165 g
	8571 4-pole hinged cover repair set, red	275504	165 g
	8571 5-pole hinged cover repair set, black	275490	170 g
	8571 5-pole hinged cover repair set, blue	275487	170 g
	8571 5-pole hinged cover repair set, red	275489	170 g
	8571 5-pole hinged cover repair set, yellow	275488	170 g



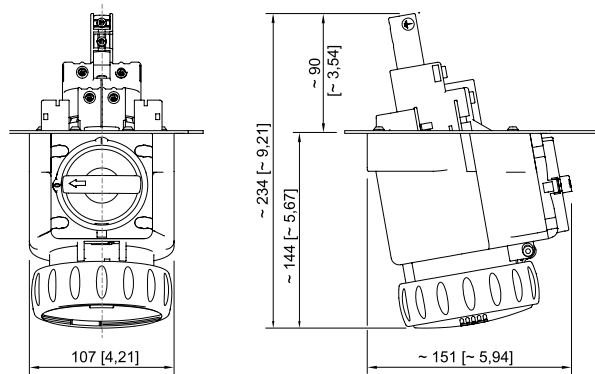
4-pole flange socket  
Clock hour position 5 h, 6 h, 7 h



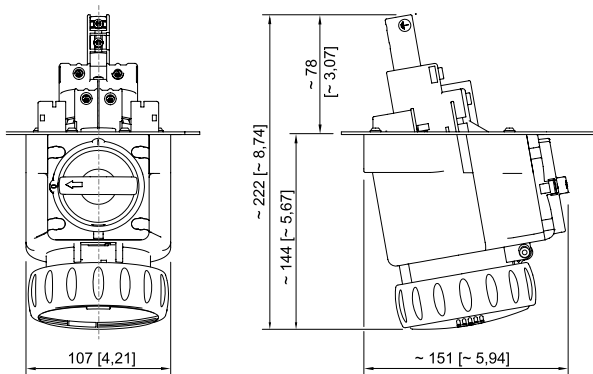
4-pole flange socket  
Clock hour position 9 h, 10 h, 11 h



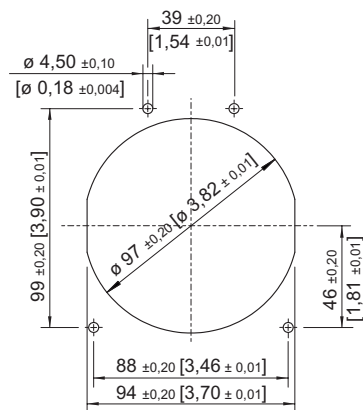
5-pole flange socket  
Clock hour position 2 h, 3 h, 4 h



5-pole flange socket  
Clock hour position 5 h, 6 h, 7 h



5-pole flange socket  
Clock hour position 9 h, 10 h, 11 h



Opening figure