



- Different voltage ranges according to EN 60309
- Large temperature range of use
- High mechanical impact and shock resistance
- Perfect protection against penetration of liquids and dusts
- 3D data for download on the website
- Appropriate Series 8571/22 plug

E3

MY R. STAHL 8571U



R. STAHL Series 8571/21 SolConeX sockets constitute explosion-protected electrical equipment. They are approved for use in hazardous areas that are classified for the division or zone according to NEC 505. The high degree of protection guarantees the highest level of protection against the ingress of dust and/or water in any application position. Self-cleaning lamellar contacts provide optimum contact and the plugs can be inserted and removed in the zero position quickly and easily. The load disconnect switch, with a mechanical locking device and a handle that can be locked in the 0 or I position, is an additional safety feature.

	IECEX / ATEX					
	0	1	2	20	21	22
Zone						
Installation in	•	•		•	•	

	NEC® 500 CE Code Appendix J					
	Class I		Class II		Class III	
Division	1	2	1	2	1	2
Installation in	•	•	•	•	•	•

	CE Code Section 18					
	NEC® 505			NEC® 506		
Zone	0	1	2	20	21	22
Installation in	•	•		•	•	

Selection Table									
Product Description									
Wall-mounting socket 30 A									
Figure	Detailed number of poles	Coding (clock hour position)	Rated operational voltage	Colour code	Frequency range	Nominal power	Product Type	Art. No.	Weight
	3-pole, 4 conductors	5	600 V AC	Black	50 / 60 Hz	25 HP	8571/21-405-S-51-0-00-XXX	294381	2 kg
		7	480 V AC	Red	50 / 60 Hz	20 HP	8571/21-407-S-51-0-00-XXX	294382	2 kg
		9	200 to 250 V AC	Blue	50 / 60 Hz	10 HP	8571/21-409-S-51-0-00-XXX	294383	2 kg
	4-pole, 5 conductors	5	347 to 400/600 V AC	Black	50 / 60 Hz	25 HP	8571/21-505-S-51-0-00-XXX	294358	2.2 kg
		7	277/480 V AC	Red	50 / 60 Hz	20 HP	8571/21-507-S-51-0-00-XXX	294359	2.2 kg
		9	120/208 to 144/250 V AC	Blue	50 / 60 Hz	10 HP	8571/21-509-S-51-0-00-XXX	294360	2.2 kg

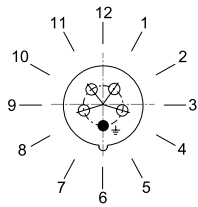
Technical Data	
Explosion Protection	
Scope of validity	European Union (ATEX) Canada IECEX USA
FMus certificate	FM21US0070X
cFM certificate	FM21CA0045X

Technical Data	
Explosion Protection	
Marking FMus	Class I, Div. 2, Groups A,B,C,D; Class II, III, Div. 1, Groups E,F,G; Enclosure Type 3, 4, 4X Class I, Zone 1, AEx db eb IIC T6 ... T5 Gb Zone 21, AEx tb IIIC T76 °C Db
Marking cFM	Ex db eb IIC T6 ... T5 Gb Class I, Div. 2, Groups A,B,C,D; Class II, III, Div. 1, Groups E,F,G; Enclosure Type 3, 4, 4X Ex tb IIIC T76 °C Db
IECEx gas explosion protection	Ex db eb IIC T6 ... T5 Gb
IECEx dust explosion protection	Ex tb IIIC T76 °C Db
ATEX gas explosion protection	Ⓜ II 2 G Ex db eb IIC T6 ... T5 Gb
ATEX dust explosion protection	Ⓜ II 2 D Ex tb IIIC T76 °C Db
Certificates	ATEX (PTB), Brazil (ULB), Canada (FM), IECEx (PTB), Taiwan (ITRI), USA (FM)
Ship approval	DNV
Electrical Data	
Rated operational current	30 A
Device Specific Data	
Back-up fuse with thermal protection	63 A gG
Back-up fuse without thermal protection	35 A gG
Ambient Conditions	
Ambient temperature	-58 °F to +149 °F
Ambient temperature	-50 °C to +65 °C
Notes	For further information, see the operating instructions.
Mechanical Data	
Enclosure type (NEMA250)	3, 4, 4X
Degree of protection IP (IEC 60529)	IP66
IP degree of protection (IEC 60079)	IP64
Enclosure material	Polyamide, Glass fibre reinforced
Silicone-free	No
Connection cross-section AWG single stranded	1 x AWG 14 ... 2 x AWG 8
Solid connection cross-section	1 x 2.5 mm ² ... 2 x 10 mm ²
Finely stranded connection cross-section AWG	1 x AWG 14 ... 2 x AWG 10
Finely stranded connection cross-section	1 x 2.5 mm ² ... 2 x 6 mm ²
Impact strength (IEC 60079)	7 J
Impact strength (IEC 62262)	IK10
Lockable in	in 0- and I-position
Interlock	Prevents the plug from being pulled under load
Components	
Cable entry note	Entry 1: Bottom left Entry 2: Bottom right
Entry 1 model	Can be ordered as accessories
Entry 1	NPT 1"
Metal entry possible 1	Yes
Entry 2 model	CMP-767D M32
Entry 2 type	Stopping plug NB
Entry 2	M32 x 1.5
Metal entry possible 2	No
Notes	Metal insert: Contains a brass plate with threaded holes Cable gland position: Bottom (standard); acc. to order, can also be on the top or side

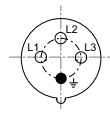
Arrangement of earth contact sleeves

E3

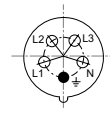
Position of clock hour position
Example: 6 h position



Arrangement of socket contacts and terminal markings



3 P + PE



3 P + N + PE

Arrangement of the socket contacts and terminal markings in the 6 h position
(view from the front side of the shrouded socket outlet to the socket contacts)

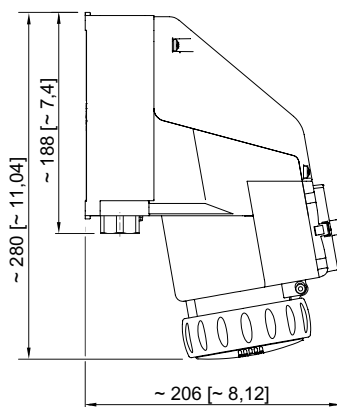
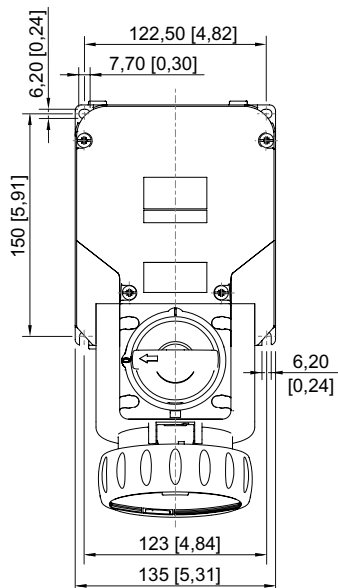
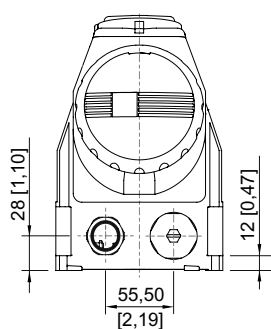
Accessories

Figure	Description	Art. No.	Weight
Auxiliary contact optional, pluggable by the user, easy to retrofit			
	1 NC Max. 500 V AC, max. 110 V DC Max. 6 A 1 x AWG 20 to 2 x AWG 14, 1 x 0.5 to 2 x 2.5 mm ² , solid/finely stranded	150688	20 g
	1 NO Max. 500 V AC, max. 110 V DC Max. 6 A 1 x AWG 20 to 2 x AWG 14, 1 x 0.5 to 2 x 2.5 mm ² , solid/finely stranded	150690	200 g
	1 NO, gold-plated contact Max. 500 V AC, max. 110 V DC Max. 6 A 1 x AWG 20 to 2 x AWG 14, 1 x 0.5 to 2 x 2.5 mm ² , solid/finely stranded	150692	1 g
Dust cover for sockets, Series 8571			
	Retrofittable dust protection for 4-pole sockets	255005	9 g
Dust cover for sockets, series 8571			
	Retrofittable dust protection for 5-pole sockets	253117	9 g
Plug			
	8571/22-405-S-XX-X-XX-XXX plug, 3-pole, 4-wire, 600 V AC, 50/60 Hz, 30 A	294405	500 g
	8571/22-407-S-XX-X-XX-XXX plug, 3-pole, 4-wire, 480 V AC, 50/60 Hz, 30 A	294406	500 g
	8571/22-409-S-XX-X-XX-XXX plug, 3-pole, 4-wire, 200 to 250 V AC, 50/60 Hz, 30 A	294407	500 g
	8571/22-505-S-XX-X-XX-XXX plug, 4-pole, 5-wire, 347 to 400/600 V AC, 50/60 Hz, 30 A	294402	600 g
	8571/22-507-S-XX-X-XX-XXX plug, 4-pole, 5-wire, 277/480 V AC, 50/60 Hz, 30 A	294403	600 g
8571/22-509-S-XX-X-XX-XXX plug, 4-pole, 5-wire, 120/208 to 144/250 V AC, 50/60 Hz, 30 A	294404	600 g	

Spare Parts

Figure	Description	Art. No.	Weight
Repair set for Series 8571 sockets			
	Repair set 8571 hinged cover, 4-pole, black	275505	165 g
	Repair set 8571 hinged cover, 4-pole, blue	275502	165 g
	Repair set 8571 hinged cover, 4-pole, red	275504	165 g
	Repair set 8571 hinged cover, 5-pole, black	275490	170 g
	Repair set 8571 hinged cover, 5-pole, blue	275487	170 g
	Repair set 8571 hinged cover, 5-pole, red	275489	170 g

Dimensional Drawings (All Dimensions in mm [inches]) – Subject to Alterations



Wall-mounting socket