

- Cost-effective enclosure in lightweight construction, made of copper-free aluminium
- Suitable for operation in Zones 1, 2, 21 and 22
- Ex d and Ex tb certified
- Gas group IIB+H2
- Degree of protection IP65 or IP66
- Retrofittable hinges
- Customizable configuration of operating elements, cable entry quantities and cable gland types

WebCode 8250C



The enclosure Series 8250 forms the ideal basis for building application-specific configurations of motor control units, control stations, terminal boxes, control and distribution panels. The enclosure allows the integration of electrical components and operating elements as per customer specification.

For direct cable entry into the enclosures, flameproof cable glands in type of protection Ex d or threaded holes for conduit connection can be applied.

	IECEX / ATEX					
Zone	0	1	2	20	21	22
Installation in		•	•		•	•

Selection Table						
Ambient temperature		-60 °C ... +70 °C (For IIB) -60 °C ... +60 °C (For IIB+H2)				
Enclosure size	Width	Height	Depth	Product Type	Art. No.	Weight
1	250 mm	150 mm	92 mm	8250/0-0250-0150-092-420030	294281	8.2 kg
2	300 mm	230 mm	102 mm	8250/0-0300-0230-102-420030	294282	12.5 kg
Ambient temperature		-20 °C ... +70 °C (For IIB) -20 °C ... +60 °C (For IIB+H2)				
Enclosure size	Width	Height	Depth	Product Type	Art. No.	Weight
3	370 mm	300 mm	138 mm	8250/0-0370-0300-138-420030	294283	19.1 kg
5	540 mm	360 mm	263 mm	8250/0-0540-0360-263-420030	294284	46.5 kg

Technical Data	
Explosion Protection	
IECEX gas explosion protection	Ex db IIB / IIB+H2 Gb
IECEX dust explosion protection	Ex tb IIIC Db
ATEX gas explosion protection	⊕ II 2 G Ex db IIB / IIB+H2 Gb
ATEX dust explosion protection	⊕ II 2 D Ex tb IIIC Db
Certificates	ATEX (BVS), IECEX (BVS)
Electrical Data	
Rated operational voltage DC	11000 V
Rated operational voltage AC	11 kV
Rated operational current	1250 A

Technical Data

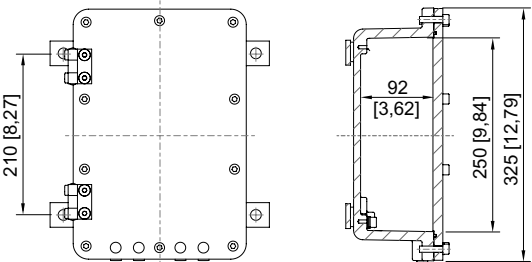
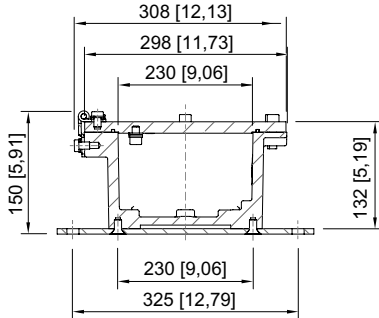
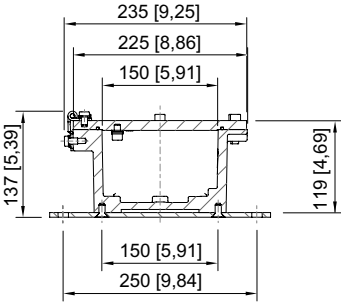
Ambient Conditions	
Storage temperature	-60 °C ... +80 °C
Mechanical Data	
Degree of protection (IP) (IEC 60529)	IP66 (with O-ring) IP65 (without O-ring)
Enclosure material	Cast aluminium alloy BS 1490 aluminium LM6
Cover material	EN - AW6082
Cover	Flat panel
Cover fixing type	With standard screw. According to the order
Enclosure colour	Light grey (RAL 7035)
Enclosure colour note	Other colours on request
Built-in components	without
Left openings (180°)	According to the order
Top openings (90°)	According to the order
Right openings (0°)	According to the order
Bottom openings (270°)	According to the order

Accessories

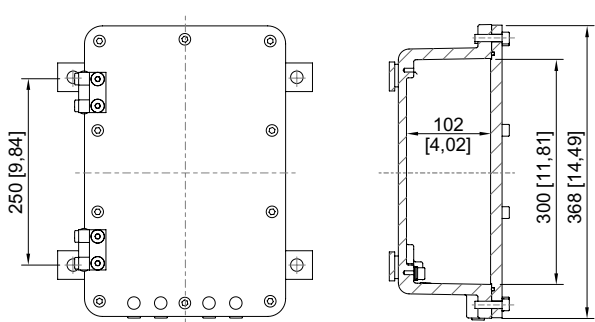
Figure	Description	Art. No.	Weight
Hinge			
	Hinge for Series 8250	294285	120 g
Mounting plate			
	Mounting plate for size 1	305844	700 g
	Mounting plate for size 2	305845	900 g
	Mounting plate for size 3	305846	1.75 kg
	Mounting plate for size 5	225908	3.9 kg
Wall mounting			
	Wall-mounting rail for size 1	224231	900 g
	Wall-mounting rail for size 2	224232	1.13 kg
	Wall-mounting rail for size 3	225911	1.4 kg
	Wall-mounting rail for size 5	225913	1.5 kg

Dimensional Drawings (All Dimensions in mm [inches]) – Subject to Alterations

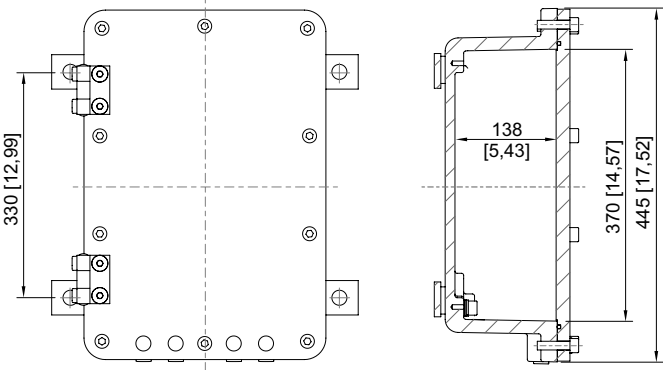
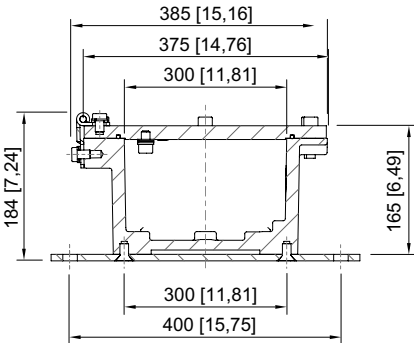
E3



Enclosure size 1

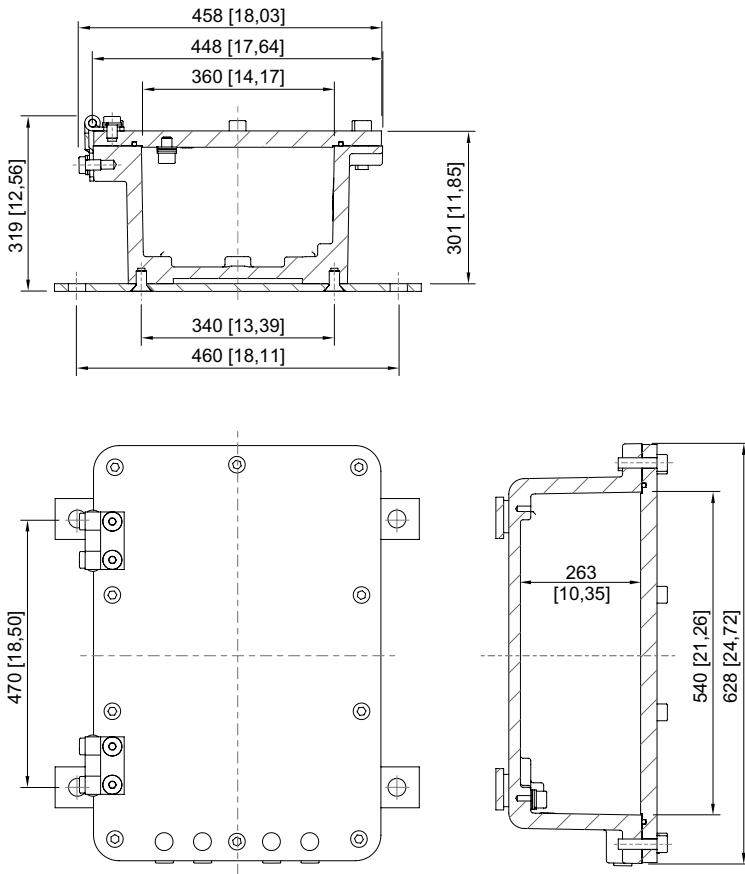


Enclosure size 2



Enclosure size 3

E3



Enclosure size 5