

- Six basic enclosure sizes, optional sight glasses
- International certification, wide temperature range, seawaterresistant enclosure made of light metal
- Empty enclosure
- Customer-specific entries available on request
- For use in Class I, Div. 1 and 2

E9

MY R. STAHL 8265K



R. STAHL Series 8265 Ex d enclosures are explosion-protected and dust-explosion-protected empty enclosures with global approval. The cover can be opened wide to allow easier access for installing and servicing components inside the enclosure. The cover is also available with a sight glass. R. STAHL can install various different devices in the enclosure, including components which generate arcs and sparks, depending on customer requirements. Ask your R. STAHL representative whether the equipment you require can be installed in the enclosure.

	IECEX / ATEX					
Zone	0	1	2	20	21	22
Installation in		•	•		•	•

	NEC® 500 CE Code Appendix J					
	Class I		Class II		Class III	
Division	1	2	1	2	1	2
Installation in	•		•		•	

	CE Code Section 18					
	NEC® 505			NEC® 506		
	Class I					
Zone	0	1	2	20	21	22
Installation in		•	•			

Selection Table										
Design		Without entry								
Enclosure size	Cover	Width, inches	Width	Height, inches	Height	Length, inches	Length	Product Type	Art. No.	Weight
1	Closed	4.92 in	125 mm	5.2 in	132 mm	4.92 in	125 mm	8265/61-0000	211114	2.77 kg
	With inspection window	4.92 in	125 mm	5.2 in	132 mm	4.92 in	125 mm	8265/61-0020	211089	2.79 kg
2	Closed	6.1 in	155 mm	5.2 in	132 mm	6.1 in	155 mm	8265/62-0000	165778	3.85 kg
	With inspection window	6.1 in	155 mm	5.2 in	132 mm	6.1 in	155 mm	8265/62-0020	165781	4 kg
3	Closed	7.68 in	195 mm	6.77 in	172 mm	7.68 in	195 mm	8265/63-0000	165779	6.58 kg
	With inspection window	7.68 in	195 mm	6.77 in	172 mm	7.68 in	195 mm	8265/63-0020	165782	7 kg
4	Closed	9.29 in	236 mm	8.94 in	227 mm	9.29 in	236 mm	8265/64-0000	165780	10.6 kg
	With inspection window	9.29 in	236 mm	8.94 in	227 mm	9.29 in	236 mm	8265/64-0020	165783	11 kg
5	Closed	11.22 in	285 mm	9.06 in	230 mm	11.22 in	285 mm	8265/65-0000	211128	18.3 kg
	With inspection window	11.22 in	285 mm	9.06 in	230 mm	11.22 in	285 mm	8265/65-0020	211064	18.3 kg
6	Closed	13.19 in	335 mm	11.06 in	281 mm	13.19 in	335 mm	8265/66-0000	202091	27.8 kg
	With inspection window	13.19 in	335 mm	11.06 in	281 mm	13.19 in	335 mm	8265/66-0020	202082	28 kg

Technical Data	
Explosion Protection	
Certificate ULus	E307783
Marking ULus	Class I, Div. 1, Groups A,B,C,D Class II,III, Div. 1, E, F, G Class I, Zone 1, Group IIC Enclosure Type 3, 4, 4X
Certificate cUL	E114097
Marking cUL	Class I, Zone 1, Group IIC Class I, Div. 1, Groups A,B,C,D Class II,III, Div. 1, E, F, G Enclosure Type 3, 4, 4X
Marking Notes	also for installation in Class I, II and III, Div. 2
IECEx gas explosion protection	Ex db eb IIC Gb
IECEx dust explosion protection	Ex tb IIIC Db
ATEX gas explosion protection	Ⓜ II 2 G Ex db eb IIC Gb
ATEX dust explosion protection	Ⓜ II 2 D Ex tb IIIC Db
Certificates	ATEX (PTB), Canada (UL), IECEx (PTB), USA (UL)
Notes	Product label may vary. Other certificates available on request.
Electrical Data	
Notes	depending on the equipment and components used
Ambient Conditions	
Ambient temperature	-58°F ... +122°F
Ambient temperature	-50 °C ... +50 °C
Mechanical Data	
Degree of protection (IP)	IP54
Degree of protection note	IP66 with silicone O-ring
Enclosure type (NEMA250)	3, 4, 4X
Enclosure material	Aluminium, copper-free, Seawater-resistant

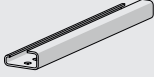
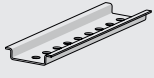
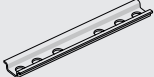
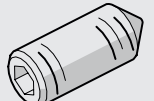
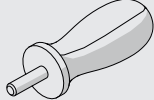
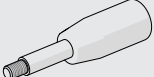
Accessories			
Figure	Description	Art. No.	Weight
Cover without sight glass			
	Enclosure: 8265/1-0000	208861	840 g
	Enclosure: 8265/2-0000	143468	1.43 kg
	Enclosure: 8265/3-0000	143470	2.03 kg
	Enclosure: 8265/4-0000	143472	3.14 kg
	Enclosure: 8265/5-0000	143474	4.9 kg
	Enclosure: 8265/6-0000	143476	8.78 kg


Ex d enclosure made of light metal

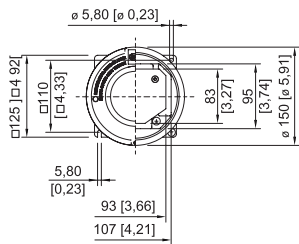
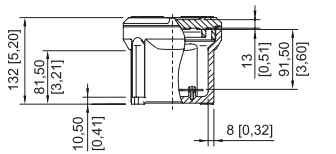
Series 8265 flameproof enclosure
NEC®/CE Code

STAHL

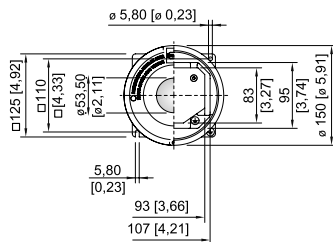
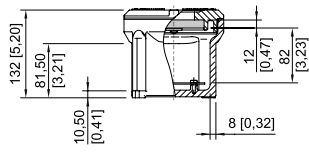
E9

Accessories			
Figure	Description	Art. No.	Weight
Mounting rail			
	G32 length: 133 mm [5.24 inch] for size 3 enclosure	137939	20 g
	G32 length: 189 mm [7.44 inch] for size 4 enclosure	137945	130 g
	G32 length: 280 mm [11.02 inch] for size 6 enclosure	166450	200 g
	TS35 length: 80 mm [3.15 inch] for size 1 enclosure	212424	27 g
	TS35 length: 105 mm [4.13 inch] for size 2 enclosure	143498	37 g
	TS35 length: 133 mm [5.24 inch] for size 3 enclosure	137970	40 g
	TS35 length: 189 mm [7.44 inch] for size 4 enclosure	137976	60 g
	TS35 length: 218 mm [8.58 inch] for size 5 enclosure	212426	33 g
	TS35 length: 280 mm [11.02 inch] for size 6 enclosure	166449	100 g
	TS15 length: 80 mm [3.15 inch] for size 1 enclosure	212425	13 g
	TS15 length: 105 mm [4.13 inch] for size 2 enclosure	143497	18 g
	TS15 length: 133 mm [5.24 inch] for size 3 enclosure	137902	20 g
	TS15 length: 189 mm [7.44 inch] for size 4 enclosure	137908	29 g
	TS15 length: 218 mm [8.58 inch] for size 5 enclosure	212427	30 g
	TS15 length: 280 mm [11.02 inch] for size 6 enclosure	166448	49 g
Threaded pin			
	M5x16-A2 with hexagon socket and pointed tip	110216	1 g
Box spanner			
	for opening a size 1, 2, 3, 4 enclosure cover two box spanners are required	142059	60 g
	for opening a size 5, 6 enclosure cover two box spanners are required	221927	214 g

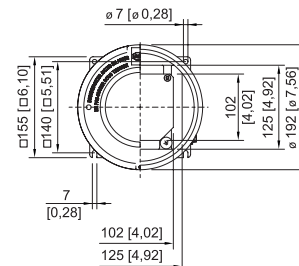
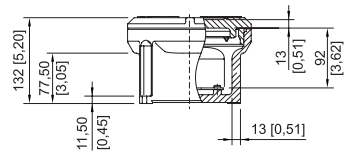
Spare Parts			
Figure	Description	Art. No.	Weight
O-ring			
	Silicone, for size 1 enclosure	305498	6 g
	Silicone, for enclosure size 3	305500	10 g
	Silicone, for size 4 enclosure	305631	12 g
	Silicone, for size 5 enclosure	305632	20 g
	Silicone, for size 6 enclosure	305633	26 g



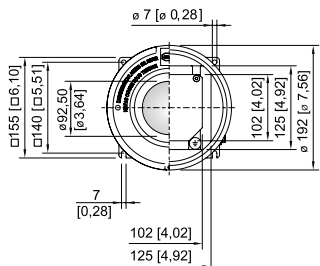
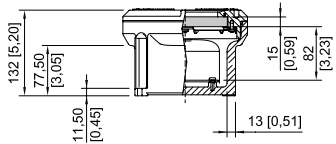
Size 1 enclosure without sight glass



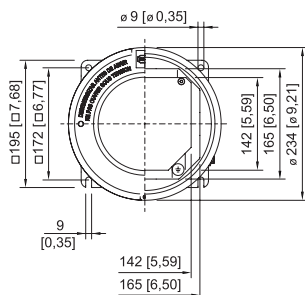
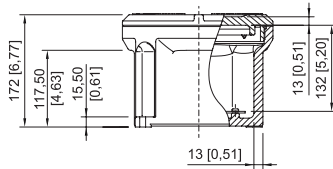
Size 1 enclosure with sight glass



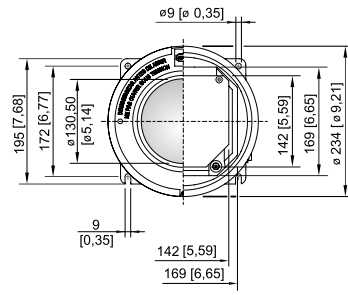
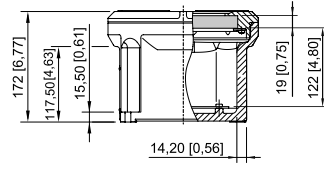
Size 2 enclosure without sight glass



Size 2 enclosure with sight glass



Size 3 enclosure without sight glass



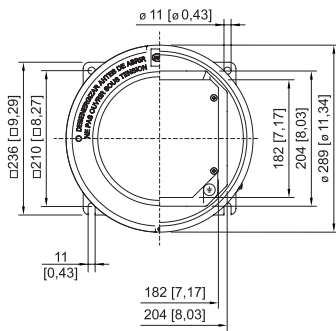
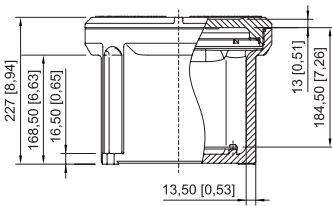
Size 3 enclosure with sight glass

Ex d enclosure made of light metal

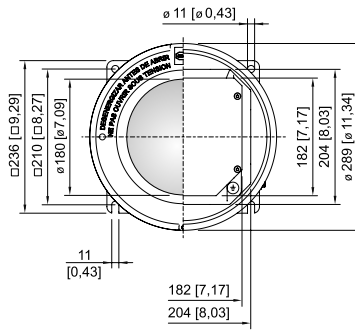
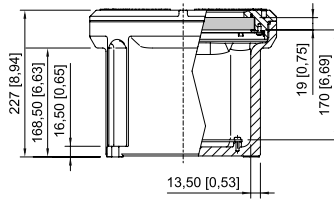
Series 8265 flameproof enclosure
NEC®/CE Code



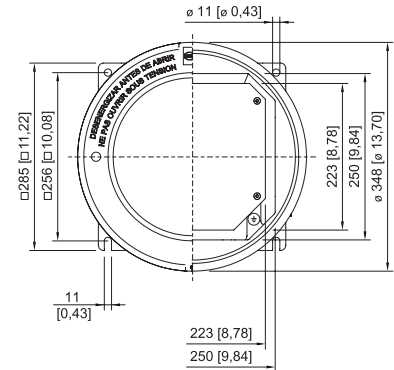
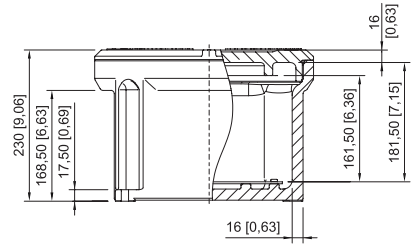
E9



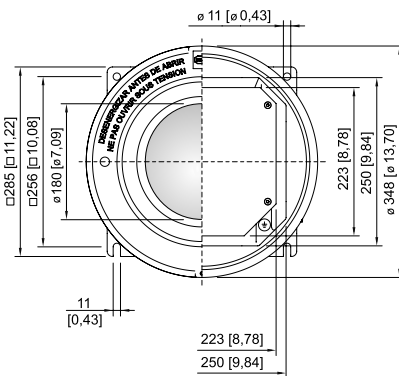
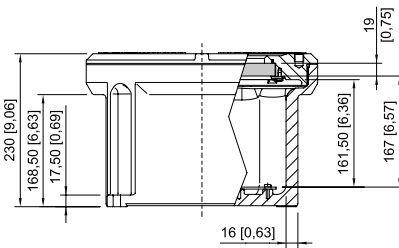
Size 4 enclosure without sight glass



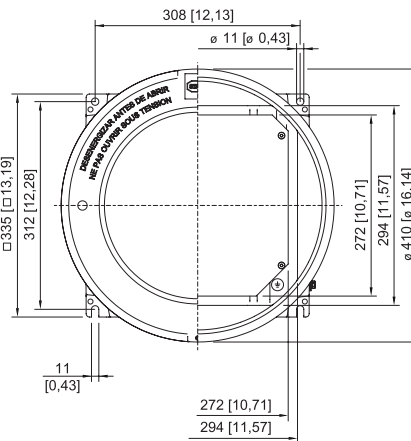
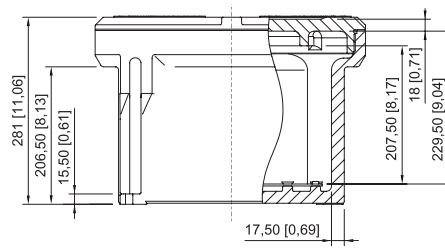
Size 4 enclosure with sight glass



Size 5 enclosure without sight glass

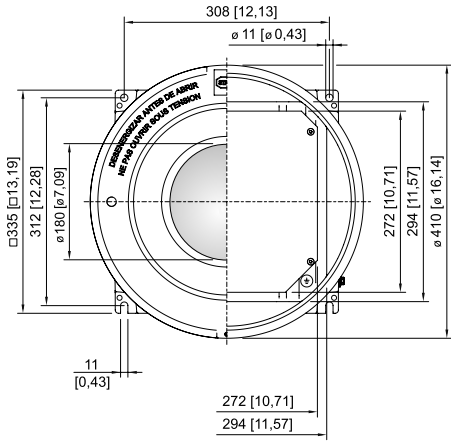
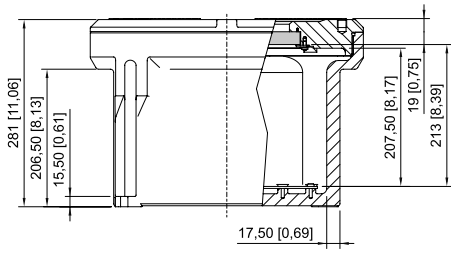


Size 5 enclosure with sight glass



Size 6 enclosure without sight glass

E9



Size 6 enclosure with sight glass