

Compact moulded case circuit breakers

Series 8568

STAHL



- Degree of protection: Explosion-protected 1- and 2-pole moulded case circuit breaker with thermomagnetic protection
- Rated operational current from 15 to 125 A
- Maximum rated operational voltage: IEC/ATEX up to 415 V AC and NEC/CE Code up to 480 V AC
- Rated switching capacity of 10 kA according to IEC/EN 60947/UL 489
- Isolating characteristics according to IEC/EN 60947-2
- Thermal and magnetic release permanently set
- Design according to UL 489/CSA-C22.2 No. 5 and IEC 60947-2

E9

MY R. STAHL 8568A



The Series 8568 moulded case circuit breakers meets all of the technical requirements for safe and selective switching-off. In the event of a short circuit, they limit the energy in the connected electrical circuits due to their mode of operation which effectively restricts short-circuit current, and thanks to their high short-circuit strength. They therefore provide a high degree of protection against back-up fuses tripping.

	IECEx / ATEX					
	0	1	2	20	21	22
Zone						
Installation in		•	•		•	•

	NEC® 500 CE Code Appendix J					
	Class I		Class II		Class III	
Division	1	2	1	2	1	2
Installation in		•				

	CE Code Section 18					
	NEC® 505			NEC® 506		
	Class I					
Zone	0	1	2	20	21	22
Installation in		•	•			

Selection Table

No. of poles	1			
Rated operational voltage AC (NEC)	347 V			
Rated operational voltage DC (NEC)	125 V			
Rated operational voltage AC	240 V			
Rated operational voltage DC	125 V			
Rated operational current	Product Type	Art. No.	Weight	
15 A	8568/MCCB-GS101B-15	219818	2.35 kg	
20 A	8568/MCCB-GS101B-20	219820	2.35 kg	
25 A	8568/MCCB-GS101B-25	240682	2.35 kg	
30 A	8568/MCCB-GS101B-30	219821	2.35 kg	
35 A	8568/MCCB-GS101B-35	240683	2.35 kg	
40 A	8568/MCCB-GS101B-40	219823	2.35 kg	
45 A	8568/MCCB-GS101B-45	240684	2.35 kg	
50 A	8568/MCCB-GS101B-50	240685	2.35 kg	
60 A	8568/MCCB-GS101B-60	219824	2.35 kg	
70 A	8568/MCCB-GS101B-70	240686	2.35 kg	
80 A	8568/MCCB-GS101B-80	240687	2.35 kg	
90 A	8568/MCCB-GS101B-90	240688	2.35 kg	
100 A	8568/MCCB-GS101B-100	240689	2.35 kg	
110 A	8568/MCCB-GS101B-110	240690	2.35 kg	
125 A	8568/MCCB-GS101B-125	240691	2.35 kg	

Selection Table

No. of poles	2
Rated operational voltage AC (NEC)	480 V
Rated operational voltage DC (NEC)	125 V / 250 V
Rated operational voltage AC	240 V / 415 V
Rated operational voltage DC	125 V / 250 V

Rated operational current	Product Type	Art. No.	Weight
15 A	8568/MCCB-GS102B-15	240692	3.4 kg
20 A	8568/MCCB-GS102B-20	219825	3.4 kg
25 A	8568/MCCB-GS102B-25	240693	3.4 kg
30 A	8568/MCCB-GS102B-30	219826	3.4 kg
35 A	8568/MCCB-GS102B-35	240694	3.4 kg
40 A	8568/MCCB-GS102B-40	219827	3.4 kg
45 A	8568/MCCB-GS102B-45	240695	3.4 kg
50 A	8568/MCCB-GS102B-50	240696	3.4 kg
60 A	8568/MCCB-GS102B-60	219829	3.4 kg
70 A	8568/MCCB-GS102B-70	240697	3.4 kg
80 A	8568/MCCB-GS102B-80	240698	3.4 kg
90 A	8568/MCCB-GS102B-90	240699	3.4 kg
100 A	8568/MCCB-GS102B-100	219830	3.4 kg
110 A	8568/MCCB-GS102B-110	240700	3.4 kg
125 A	8568/MCCB-GS102B-125	240701	3.4 kg

For 250 V DC, two poles are required in series.

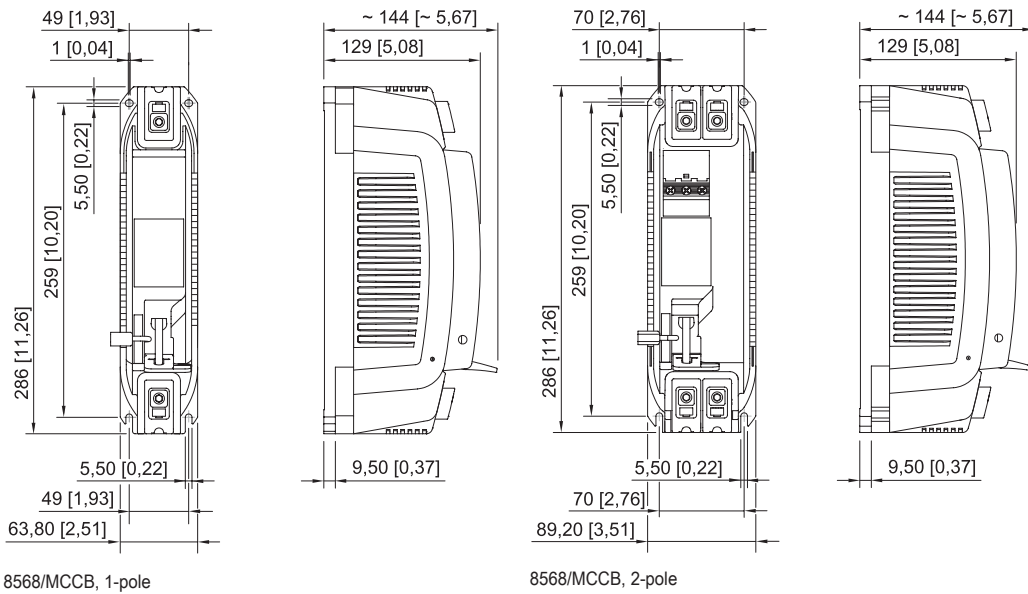
Technical Data

Variant	15 A to 60 A	70 A to 125 A
Explosion Protection		
Application range (Zone) note	For use in Zone 21/22 when protected by Ex tb/tc enclosure	For use in Zone 21/22 when protected by Ex tb/tc enclosure
IECEx gas explosion protection	Ex db eb IIC T4 / T6 Gb	Ex db eb IIC T4 / T5 Gb
ATEX gas explosion protection	Ⓔ II 2 G Ex db eb IIC T4 / T6 Gb	Ⓔ II 2 G Ex db eb IIC T4 / T5 Gb
Marking FMus	Class I, Div. 2, Groups A,B,C,D; T6 ... T4; Class I, Zone 1, AEx db eb IIC T6 ... T4	Class I, Div. 2, Groups A,B,C,D; T6 ... T4; Class I, Zone 1, AEx db eb IIC T6 ... T4
Marking cFM	Class I, Zone 1, Ex db eb IIC T6 ... T4 Class I, Div. 2, Groups A,B,C,D; ; T6 ... T4,	Class I, Zone 1, Ex db eb IIC T6 ... T4 Class I, Div. 2, Groups A,B,C,D; ; T6 ... T4,
Certificates	ATEX (FM), Canada (FM), IECEx (FM), USA (FM)	ATEX (FM), Canada (FM), IECEx (FM), USA (FM)
Electrical Data		
Type of voltage	AC/DC	AC/DC
Auxiliary contacts	without	without
Auxiliary contacts 2	without	without
N-pole present	No	No
Rated switching capacity	10 kA	10 kA
Ambient Conditions		
Ambient temperature	-30 °C ... +40 °C (T6) -30 °C ... +60 °C (T4)	-30 °C ... +40 °C (T5) -30 °C ... +60 °C (T4)
Ambient temperature	-22 °F ... +104 °F (T6) -22 °F ... +140 °F (T4)	-22 °F ... +104 °F (T5) -22 °F ... +140 °F (T4)
Note	Ambient temperature range for the device's installation location. If the device is installed at temperatures reaching +60 °C (+140 °F), please contact the factory.	Ambient temperature range for the device's installation location. If the device is installed at temperatures reaching +60 °C (+140 °F), please contact the factory.
Mechanical Data		
Degree of protection (IP)	IP20	IP20
Enclosure material	Epoxy resin	Epoxy resin

Technical Data

Variant	15 A to 60 A	70 A to 125 A
Mechanical Data		
Connection cross-section	6 ... 50 mm ²	35 ... 95 mm ²
Connection cross-section AWG	10 AWG ... 1/0 AWG	AWG2 ... AWG4/0
Mounting / Installation		
Tightening torque	6 – 8 Nm	15 – 20 Nm
Tightening torque lbf in	53 to 71 lbf in	132 to 177 lbf in

Dimensional Drawings (All Dimensions in mm [inches]) – Subject to Alterations



8568/MCCB, 1-pole

8568/MCCB, 2-pole