



- Premium 304 stainless steel with brushed finish for durability
- Higher efficacy, at around 120 lm/W, means more light with less power
- Temperature range -20 °C to + 44 °C
- Degree of protection IP 66
- Dual bottom and top openings provide easy access to input field terminals
- Adjustable ceiling brackets for precise mounting based on the ceiling depth
- IECEx certified
- Cleanroom compliance luminaire

MY R. STAHL 6013B

The 6013 series is an ideal lighting solution tailored for cleanroom applications. Highlighting its versatility, this innovative series is equipped with adjustable built-in C brackets for recessed mounting providing unmatched flexibility and allowing for seamless installation and operation from both the top and bottom of the ceiling. The luminaire's user-friendly design, coupled with its lightweight construction, not only optimizes ceiling grid load capacity but also guarantees efficiency without any compromise.

	IECEX					
Zone	0	1	2	20	21	22
Installation in		•	•			

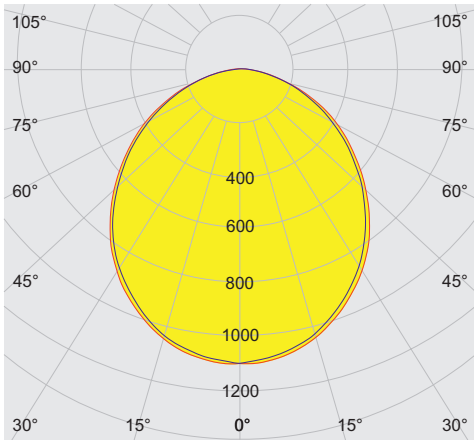
Selection Table						
Lamp wattage	28 W					
Luminaire efficacy	Size	Ceiling cut-out	Product Type	Art. No.	Weight	
110 lm/W	Size 2	300*600 mm	6013/5221-2500-0123-0111	309613	8.2 kg	
Lamp wattage	40 W					
Luminaire efficacy	Size	Ceiling cut-out	Product Type	Art. No.	Weight	
120 lm/W	Size 2	300*600 mm	6013/5221-4500-0123-0111	309614	8.2 kg	
120 lm/W	Size 3	600*600 mm	6013/5231-4500-0123-0111	309615	13.2 kg	
Lamp wattage	50 W					
Luminaire efficacy	Size	Ceiling cut-out	Product Type	Art. No.	Weight	
120 lm/W	Size 3	600*600 mm	6013/5231-6500-0123-0111	309616	13.2 kg	

Technical Data			
Variant	28 W Size 2	40 W Size 3	50 W Size 3
Explosion Protection			
IECEX gas explosion protection	Ex db eb ib IIC T4 Gb	Ex db eb ib IIC T4 Gb	Ex db eb ib IIC T4 Gb
Certificates and approvals	IECEX	IECEX	IECEX
Certificates	IECEX (IBE)	IECEX (IBE)	IECEX (IBE)
IECEX gas certificate	IECEX IBE 23.0005	IECEX IBE 23.0005	IECEX IBE 23.0005
Electrical Data			
Power factor	≥ 0.90	≥ 0.90	≥ 0.90
Frequency range	50 – 60 Hz	50 – 60 Hz	50 – 60 Hz
Rated operational voltage AC	220 ... 240 V	220 ... 240 V	220 ... 240 V
Rated operational current	0.13 A (T4)	0.18 A (T4)	0.225 A (T4)

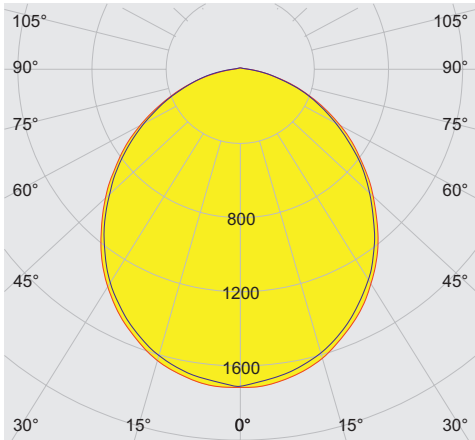
Technical Data			
Variant	28 W Size 2	40 W Size 3	50 W Size 3
Electrical Data			
Total harmonic distortion	< 15 %	< 15 %	< 15 %
Rated operational voltage DC	max. 220 ... 240 V	max. 220 ... 240 V	max. 220 ... 240 V
Ambient Conditions			
Storage temperature	-20 °C ... +60 °C	-20 °C ... +60 °C	-20 °C ... +60 °C
Ambient temperature	-20 °C ... +45 °C	-20 °C ... +44 °C	-20 °C ... +44 °C
Lighting Data			
Lamp	LED	LED	LED
Light colour	Cool white	Cool white	Cool white
Light distribution	120°	120°	120°
Luminous flux	2835 lm	4496 lm	5952 lm
Colour rendering	≥ 80	≥ 80	≥ 80
Colour temperature	5700 K	5700 K	5700 K
Mechanical Data			
Class	I	I	I
IP degree of protection (IEC 60598)	IP66	IP66	IP66
Enclosure material	Stainless steel 1.4301, Brushed Uncoated	Stainless steel 1.4301, Brushed Uncoated	Stainless steel 1.4301, Brushed Uncoated
Sealing material	Silicone	Silicone	Silicone
Number of terminals	3	3	3
Pane material	Reinforced glass	Reinforced glass	Reinforced glass
Pane material 2	matted	matted	matted
Max. solid connection terminals	4 mm ²	4 mm ²	4 mm ²
Max. finely stranded connection terminals	4 mm ²	4 mm ²	4 mm ²
Height	121 mm	121 mm	121 mm
Width	623.3 mm	623.3 mm	623.3 mm
Length	323.3 mm	623.3 mm	623.3 mm
Impact strength (IEC 62262)	IK10	IK10	IK10
Lighting lock	Screw-on cover	Screw-on cover	Screw-on cover
Mounting / Installation			
Mounting type	flush mounting	flush mounting	flush mounting
Components			
Drilled holes	3 x M20	3 x M20	3 x M20
Cable glands and entries	1 x M20 x 1.5	1 x M20 x 1.5	1 x M20 x 1.5
Stopping plugs	2 x M20 x 1.5	2 x M20 x 1.5	2 x M20 x 1.5
Stopping plug material	Polyamide, black	Polyamide, black	Polyamide, black
Material cable gland	Polyamide, black	Polyamide, black	Polyamide, black

Light Distribution Curves – Subject to Alterations

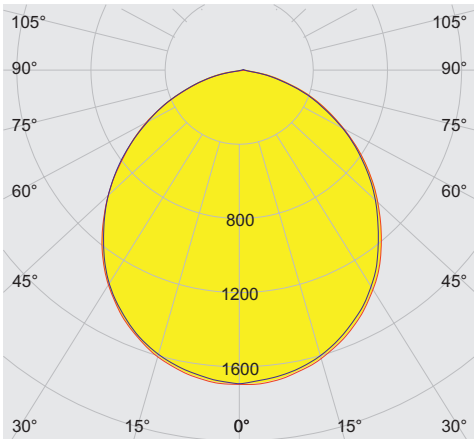
E2



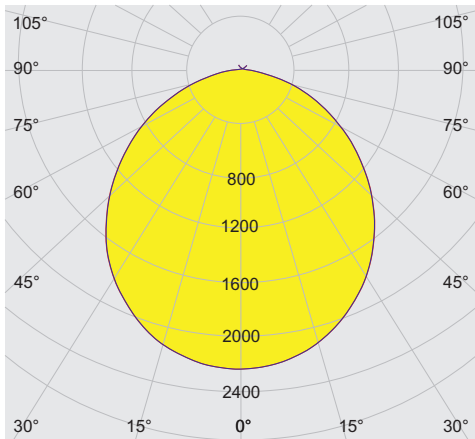
cd/klm 100%
 — C0 - C180 — C90 - C270



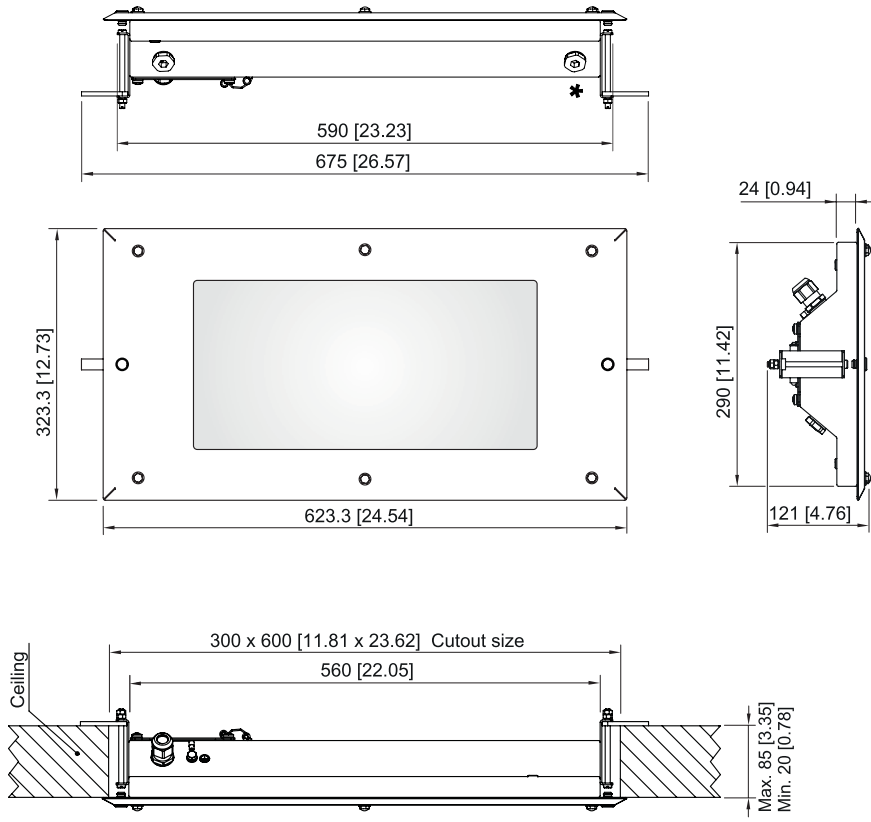
cd/klm 100%
 — C0 - C180 — C90 - C270



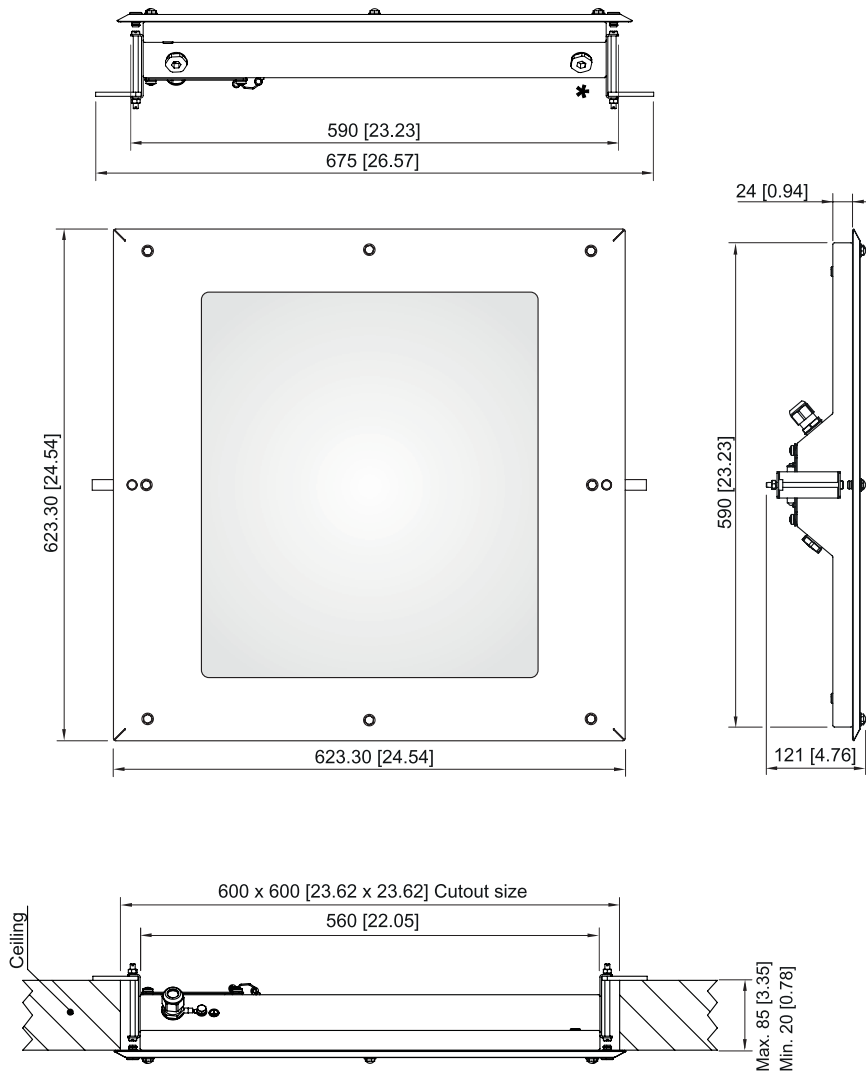
cd/klm 100%
 — C0 - C180 — C90 - C270



cd/klm 100%
 — C0 - C180 — C90 - C270



For Cutout - 300*600mm



For Cutout - 600*600mm