



- Metal Ex d and Ex e stopping plugs
- Wide selection of metric thread sizes
- Operating temperature range -60 °C to +200 °C
- Global certification, IECEx, ATEX, cCSAus and UL

E10

## MY R. STAHL 767DA



The Series 767 metal Ex d and Ex e stopping plugs with flat round head and hexagon socket make it possible to temporarily or permanently seal unused drilled holes. There is a wide selection of different metric thread sizes available for this. They have global certification according to IECEx, ATEX, UL and cCSAus.

	IECEx / ATEX					
Zone	0	1	2	20	21	22
Installation in		•	•	•	•	•

Selection Table						
Material	Nickel-plated brass					
Thread size	Height	Outer diameter	Thread length	Hexagon socket width across flats	Art. No.	Weight
M20	5.5 mm	27 mm	15 mm	M10	253039	75 g
M25	5.5 mm	30 mm	15 mm	M10	253040	90 g
M32	5.5 mm	36 mm	15 mm	M10	253041	110 g
M40	5.5 mm	46 mm	15 mm	M10	253042	200 g
M50	5.5 mm	55 mm	15 mm	M10	253043	360 g
M63	5.5 mm	68 mm	15 mm	M10	253044	500 g
M75	5.5 mm	80 mm	15 mm	M14	253045	700 g

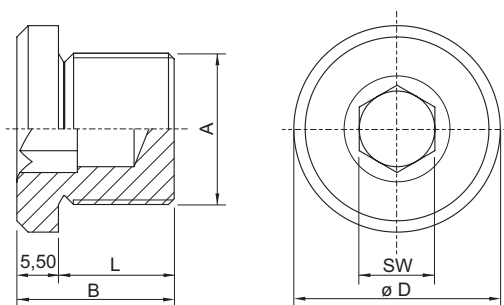
Technical Data	
Explosion Protection	
IECEx gas explosion protection	Ex db IIC Gb
IECEx firedamp protection	Ex db I Mb
IECEx gas explosion protection 2	Ex eb IIC Gb
IECEx firedamp protection 2	Ex eb I Mb
ATEX gas explosion protection	⊕ II 2 G Ex db IIC Gb
ATEX firedamp protection	⊕ I M2 Ex db I Mb
ATEX gas explosion protection 2	⊕ II 2 G Ex eb IIC Gb
ATEX firedamp protection 2	⊕ I M2 Ex eb I Mb
Notes	The product certificates can be downloaded from the manufacturer's homepage ( <a href="http://www.cmp-products.com">www.cmp-products.com</a> )
Ambient Conditions	
Ambient temperature	-60 °C ... +200 °C

**Technical Data**

Mechanical Data

Degree of protection (IP)	IP66
Degree of protection note	IP67 and IP68 mounting according to the specifications of the manufacturer, CMP. The specified degrees of protection are only fulfilled if CMP installation accessories are used.
Drive	Hexagon socket
Silicone-free	Yes

**Dimensional Drawings (All Dimensions in mm [inches]) – Subject to Alterations**



A = Thread size    B = Length    L = Thread length  
 D = Outer diameter    SW = Width across flats