



- Simple handling using hot swap technology
- Versatile application possibilities thanks to modular structure
- Most extreme operating conditions in hazardous areas
- Reliable data and signal connections or power supplies
- Simple connection and disconnection thanks to one-handed operation

## MY R. STAHL 8595D



R. STAHL's Series 8595/1 explosion-protected miniCON plug connectors with up to eight poles keep you safely connected. The high-quality plastic or stainless steel plug connectors have impressed many customers with their reliability and versatility in application. Their hot swap disconnecting capacity means that intrinsically safe signal supplies and power supplies up to 500 V/16 A can be connected and disconnected reliably and safely without the need for a hot work permit or other hot work authorisation. The miniCON connectors designed for conductor cross-sections of 0.25 mm<sup>2</sup> to 2.5 mm<sup>2</sup> are available for directly connecting electrical lines or for device installation in the device plug and flange socket types of construction. The new plug connectors for hazardous areas in Zones 1 and 21 stand out from the competition thanks to their modular structure and logically arranged components, which enable quick, easy mounting. Our patented single-handed operation means that matching plug connectors, which can be defined by the installer using internal coding for up to three applications, can be connected in no time.

	IECEX / ATEX					
Zone	0	1	2	20	21	22
Installation in		•	•		•	•

Selection Table							
Version Enclosure material		Ex e device plug Nickel-plated brass					
Figure	Connection thread	Contact type	Connection cross-section	Connection cross-section AWG	Product Type	Art. No.	Weight
	M32 x 1.5	Pin contact	0.5 mm <sup>2</sup>	AWG20	8595/1-PB1-S-P05-00E	298965	567 g
		Pin contact	0.75 – 1 mm <sup>2</sup>	AWG18	8595/1-PB1-S-P10-00E	298968	567 g
		Pin contact	1.5 mm <sup>2</sup>	AWG16	8595/1-PB1-S-P15-00E	298971	567 g
		Pin contact	2.5 mm <sup>2</sup>	AWG14	8595/1-PB1-S-P25-00E	298974	567 g
Version Enclosure material		Ex e device plug Stainless steel 1.4404					
Figure	Connection thread	Contact type	Connection cross-section	Connection cross-section AWG	Product Type	Art. No.	Weight
	M32 x 1.5	Pin contact	0.5 mm <sup>2</sup>	AWG20	8595/1-PS1-S-P05-00E	286586	567 g
		Pin contact	0.75 – 1 mm <sup>2</sup>	AWG18	8595/1-PS1-S-P10-00E	286589	567 g
		Pin contact	1.5 mm <sup>2</sup>	AWG16	8595/1-PS1-S-P15-00E	286592	567 g
		Pin contact	2.5 mm <sup>2</sup>	AWG14	8595/1-PS1-S-P25-00E	286595	567 g

**Selection Table**

Version Enclosure material		Ex e device plug, reverse Nickel-plated brass					
Figure	Connection thread	Contact type	Connection cross-section	Connection cross-section AWG	Product Type	Art. No.	Weight
	M32 x 1.5	Socket contact	0.5 mm <sup>2</sup>	AWG20	8595/1-PB1-S-S05-00E	298953	567 g
		Socket contact	0.75 – 1 mm <sup>2</sup>	AWG18	8595/1-PB1-S-S10-00E	298956	567 g
		Socket contact	1.5 mm <sup>2</sup>	AWG16	8595/1-PB1-S-S15-00E	298959	567 g
		Socket contact	2.5 mm <sup>2</sup>	AWG14	8595/1-PB1-S-S25-00E	298962	567 g
Version Enclosure material		Ex e device plug, reverse Stainless steel 1.4404					
Figure	Connection thread	Contact type	Connection cross-section	Connection cross-section AWG	Product Type	Art. No.	Weight
	M32 x 1.5	Socket contact	0.5 mm <sup>2</sup>	AWG20	8595/1-PS1-S-S05-00E	286574	567 g
		Socket contact	0.75 – 1 mm <sup>2</sup>	AWG18	8595/1-PS1-S-S10-00E	286577	567 g
		Socket contact	1.5 mm <sup>2</sup>	AWG16	8595/1-PS1-S-S15-00E	286580	567 g
		Socket contact	2.5 mm <sup>2</sup>	AWG14	8595/1-PS1-S-S25-00E	286583	567 g

Cable glands are not part of the standard metallic product.  
NEC/CE Code versions on request.

**Technical Data**
**Variant**
**Explosion Protection**

Scope of validity	European Union (ATEX) IECEX
IECEX gas explosion protection	Ex db eb IIC T6 / T5 Gb
IECEX gas explosion protection 2	Ex ia IIC T6 Ga
IECEX dust explosion protection	Ex tb IIIC T80 °C / T95 °C Db
IECEX dust explosion protection 2	Ex ia IIIC T80 °C Da
ATEX gas explosion protection	Ⓔ II 2 G Ex db eb IIC T6 / T5 Gb
ATEX gas explosion protection 2	Ⓔ II 1 G Ex ia IIC T6 Ga
ATEX dust explosion protection	Ⓔ II 2 D Ex tb IIIC T80 °C / T95 °C Db
ATEX dust explosion protection 2	Ⓔ II 1 D Ex ia IIIC T80 °C Da
Certificates	ATEX (EPS), IECEX (EPS)
Declaration of Conformity	ATEX (EUK)
Notes	Product label may vary. Series devices are labelled with ATEX and IECEX.

**Electrical Data**

Rated operational voltage AC	500 V
Rated operational voltage DC	max. 110 V
Voltage tolerance	+10%
Rated insulation voltage	690 V
Rated operational current for AC	16 A
Rated operational current for DC 2	16 A
No. of poles	7 P + PE / 8 P
AC frequency range	50 – 60 Hz
Notes	For metal versions, at voltages > 60 V, the enclosure must be included in the protective grounding.


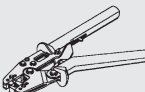
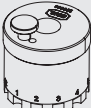


**Ambient Conditions**

Ambient temperature	-60 °C ... +75 °C
Ambient temperature	-76 °F ... +167 °F

**Mechanical Data**

Degree of protection (IP) (IEC 60529)	IP66 IP67
---------------------------------------	--------------

Technical Data	
<b>Variant</b>	
Mechanical Data	
IP degree of protection (IEC 60079)	IP64
Impact strength (IEC 60079)	7 J
Seal	Silicone
Coding	1-3, arbitrary
Notes	For preassembled variants, coding 1 is pre-set
Mounting / Installation	
Connection type	crimp
Connection type 2	solder
The standard connection type is crimping. Soldering is possible in the range of 0.25 – 1.5 mm <sup>2</sup> (AWG24 - AWG16).	

Accessories			
Figure	Description	Art. No.	Weight
<b>EMC/shielding</b>			
	To create an EMC-compliant connection of braided, shielded or reinforced conductors.	307512	29 g
<b>Crimping tool</b>			
	For all versions with crimp connection of 0.14 to 6 mm <sup>2</sup>	295689	1 kg
<b>Contact mounts/positioners for rotated industrial contacts</b>			
	The selection of the contact mount is based on the crimp contacts to be processed. - Exact positioning of the crimp contact during the crimping process - Reliable, reproducible crimping result - Adapted for miniCON contacts	299586	100 g
<b>Adaptor</b>			
	KIT 8595 nickel-plated brass adaptor, M20 x 1.5, for installation in Ex e enclosure	304566	147 g
	KIT 8595 stainless steel adaptor, M20 x 1.5, for installation in Ex e enclosure	304565	139 g
	KIT 8595 nickel-plated brass adaptor, M25 x 1.5, for installation in Ex e enclosure	304568	149 g
	KIT 8595 stainless steel adaptor, M25 x 1.5, for installation in Ex e enclosure	304567	140 g
	KIT 8595 nickel-plated brass adaptor, M32 x 1.5, for installation in Ex e enclosure	296754	100 g
	KIT 8595 stainless steel adaptor, M32 x 1.5, for installation in Ex e enclosure	286166	126 g
<b>Socket contact</b>			
	KIT 8595 socket contacts (0.25 to 0.5 mm <sup>2</sup> ), 8 pieces	286151	25 g
	KIT 8595 socket contacts (0.75 to 1 mm <sup>2</sup> ), 8 pieces	286152	24 g
	KIT 8595 socket contacts (1.5 mm <sup>2</sup> ), 8 pieces	286153	25 g
	KIT 8595 socket contacts (2.5 mm <sup>2</sup> ), 8 pieces	286154	26 g

## Accessories

Figure	Description	Art. No.	Weight
<b>Pin contact</b>			
	KIT 8595 pin contacts (0.25 to 0.5 mm <sup>2</sup> ), 8 pieces	286155	26 g
	KIT 8595 pin contacts (0.75 to 1 mm <sup>2</sup> ), 8 pieces	286156	26 g
	KIT 8595 pin contacts (1.5 mm <sup>2</sup> ), 8 pieces	286157	27 g
	KIT 8595 pin contacts (2.5 mm <sup>2</sup> ), 8 pieces	286158	26 g
<b>Code disks</b>			
	KIT coding plate 8595, four colours, without labelling Customer-specific labelling available on request	289939	4 g
<b>Reducer</b>			
	CMP-737DR reducer M32 x 1.5 - M20 x 1.5 Stainless steel	281583	126 g
	CMP-737DR Reducer M32 x 1.5 - M25 x 1.5 Stainless steel	281586	400 g

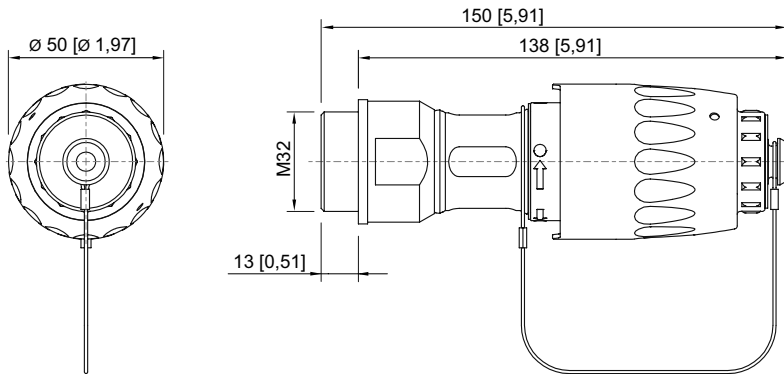
## Spare Parts

Figure	Description	Art. No.	Weight	
<b>Jam nut, nickel-plated brass (-60 to +75 °C) To mount the cable entries in the through holes</b>				
	Material: Nickel-plated brass Thread size: M32	One piece	110869	11 g
<b>Contact holder for socket contact</b>				
	KIT 8595 socket contact insert + PE		286146	33 g
<b>Contact holder for pin contact</b>				
	KIT 8595 pin contact insert + PE		286148	23 g
<b>Protective cap</b>				
	KIT 8595 plug protective cap (pin/socket) Incl. KIT 8595 coding plates, four colours, without labelling		286161	34 g

Batch size: Purchase order quantity in [no. of units]; the delivery quantity is automatically rounded to the batch size.

Dimensional Drawings (All Dimensions in mm [inches]) – Subject to Alterations

E3



8595/1 Ex e device plug