



- Universal use for 2-wire transmitters and mA sources (4-wire transmitter)
- Slim design – 12.5 mm wide – for one- and two-channel versions
- Can be used for safety levels up to SIL 2 (IEC/EN 61508)

A3

MY R. STAHL 9260A



Series 9260 transmitter supply units can be used for the intrinsically safe operation of two-wire transmitters or intrinsically safe mA sources such as 4-wire transmitters. The device allows HART signals to be transmitted in both directions. The portfolio includes single- and dual-channel devices and a version for signal duplication.

	IECEX / ATEX					
Zone	0	1	2	20	21	22
Ex interface	•	•	•	•	•	•
Installation in			•			

	NEC® 500 CE Code Appendix J					
	Class I		Class II		Class III	
Division	1	2	1	2	1	2
Ex interface	•	•	•	•	•	•
Installation in		•				

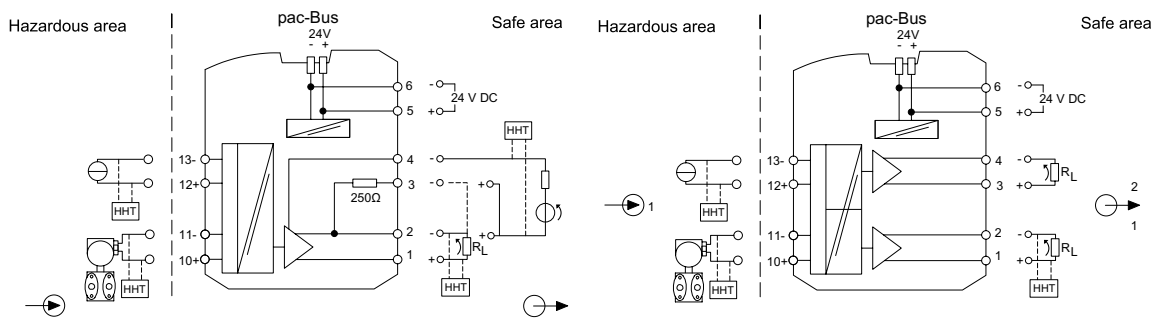
	CE Code Section 18					
	NEC® 505			NEC® 506		
Zone	Class I			20	21	22
Ex interface	0	1	2			
Ex interface	•	•	•			
Installation in			•			

Selection Table							
Output version (control)		0/4 to 20 mA active/passive with HART					
Number of channels	Input signal	Output A	Output B	Connection type	Product Type	Art. No.	Weight
1	0/4 to 20 mA with HART	0/4 to 20 mA	–	Screw terminal	9260/13-11-10s	261384	185 g
		0/4 to 20 mA	–	Spring clamp terminal	9260/13-11-10k	261387	185 g
Output version (control)		0/4 to 20 mA active/with HART					
Number of channels	Input signal	Output A	Output B	Connection type	Product Type	Art. No.	Weight
1	0/4 to 20 mA with HART	0/4 to 20 mA	0/4 to 20 mA (without HART)	Screw terminal	9260/19-11-10s	261385	195 g
		0/4 to 20 mA	0/4 to 20 mA (without HART)	Spring clamp terminal	9260/19-11-10k	261388	195 g
2	4 to 20 mA with HART	4 to 20 mA	4 to 20 mA	Screw terminal	9260/23-11-10s	261386	195 g
		4 to 20 mA	4 to 20 mA	Spring clamp terminal	9260/23-11-10k	261389	195 g

Technical Data			
Variant	9260/13-11-10	9260/19-11-10	9260/23-11-10
Explosion Protection			
IECEX gas explosion protection	Ex nA [ia Ga] IIC T4 Gc	Ex nA [ia Ga] IIC T4 Gc	Ex nA [ia Ga] IIC T4 Gc
IECEX dust explosion protection	[Ex ia Da] IIIC	[Ex ia Da] IIIC	[Ex ia Da] IIIC
IECEX firedamp protection	[Ex ia Ma] I		
ATEX gas explosion protection	⊕ II 3 (1) G Ex nA [ia Ga] IIC T4 Gc	⊕ II 3 (1) G Ex nA [ia Ga] IIC T4 Gc	⊕ II 3 (1) G Ex nA [ia Ga] IIC T4 Gc
ATEX dust explosion protection	⊕ II (1) D [Ex ia Da] IIIC	⊕ II (1) D [Ex ia Da] IIIC	⊕ II (1) D [Ex ia Da] IIIC
ATEX firedamp protection	⊕ I (M1) [Ex ia Ma] I		

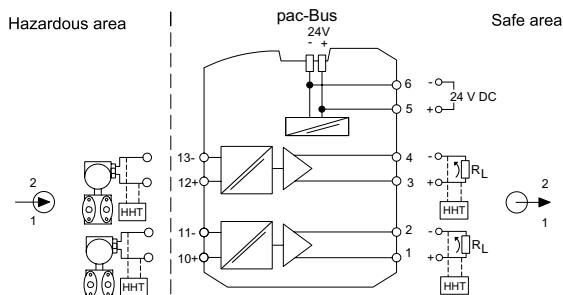
Technical Data			
Variant	9260/13-11-10	9260/19-11-10	9260/23-11-10
Explosion Protection			
Certificates	ATEX (BVS), Canada (UL), China (CQM), IECEx (BVS), India (PESO), Korea (KTL), SIL (BVS), USA (UL)	ATEX (BVS), Canada (UL), China (CQM), IECEx (BVS), India (PESO), Korea (KTL), SIL (BVS), USA (UL)	ATEX (BVS), Canada (UL), China (CQM), IECEx (BVS), India (PESO), Korea (KTL), SIL (BVS), USA (UL)
Ship approval	DNV	DNV	DNV
Declaration of Conformity	ATEX (EUK), China (CCC)	ATEX (EUK), China (CCC)	ATEX (EUK), China (CCC)
Safety Data			
Max. voltage U_o	25.2 V	25.2 V	25.2 V
Max. current I_o	93 mA	93 mA	93 mA
Max. power P_o	587 mW	587 mW	587 mW
Safety-related max. voltage	253 V AC	253 V AC	253 V AC
Functional Safety			
SIL	2	2	3
Electrical Data			
LFD relay	No	No	No
Input			
Input function	Isolation amplifier Transmitter power unit	Isolation amplifier Transmitter power unit	Transmitter power unit
Supply voltage for transmitter	≥ 16 V at 20 mA	≥ 16 V at 20 mA	≥ 16 V at 20 mA
Output			
Deviation	$\leq 0,1$ %	$\leq 0,1$ %	$\leq 0,1$ %
Temperature influence error limits	$< 0.1\%$ / 10 K	$< 0.1\%$ / 10 K	$< 0.1\%$ / 10 K
Ambient Conditions			
Ambient temperature	-20 °C ... +60 °C	-20 °C ... +60 °C	-20 °C ... +60 °C
Storage temperature	-40 °C ... +80 °C	-40 °C ... +80 °C	-40 °C ... +80 °C
Mounting / Installation			
Mounting type	DIN rail NS35/15, NS35/7.5	DIN rail NS35/15, NS35/7.5	DIN rail NS35/15, NS35/7.5

Technical Drawings – Subject to Alterations





9260/13-11-10 connection diagram

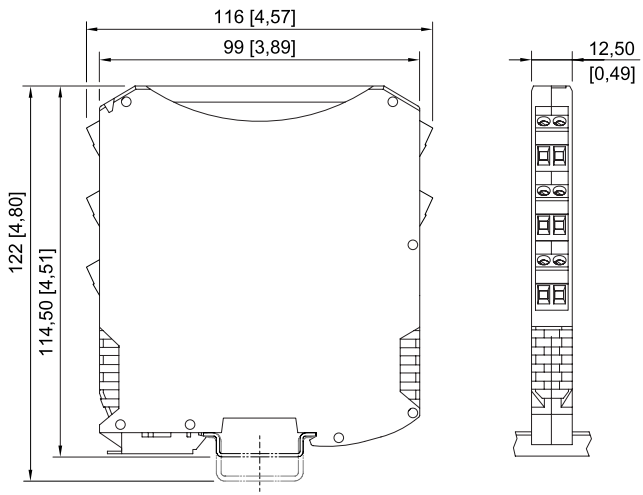
9260/19-11-10 connection diagram



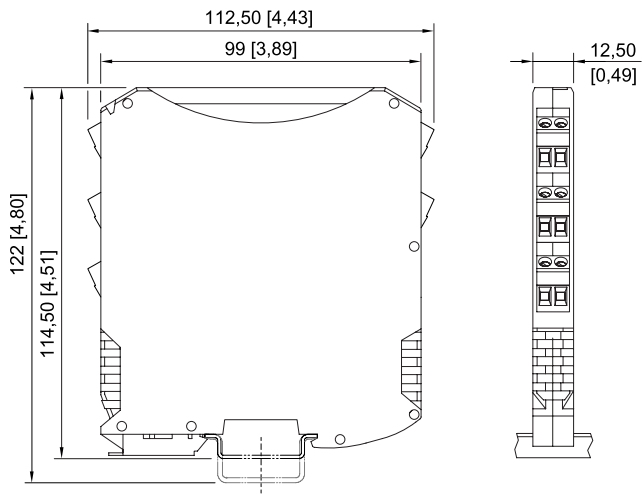
9260/23-11-10 connection diagram

Accessories			
Figure	Description	Art. No.	Weight
Supply module			
	Redundant supply of 24 V DC auxiliary power (with fuse) and reading out the collective error message from Series 92xx ISpac modules which support this function. Screw terminal connection	268183	135 g
	Redundant supply of 24 V DC auxiliary power (with fuse) and reading out the collective error message from Series 92xx ISpac modules which support this function. Spring clamp terminal connection	268184	135 g
pac-Bus			
	Wiring auxiliary power and collective error message	262928	6 g

Dimensional Drawings (All Dimensions in mm [inches]) – Subject to Alterations



ISpac Series 9260, 9270, 9275, 9276, 9282 with spring clamp terminal



ISpac Series 9260, 9265, 9270, 9275, 9276, 9282 with screw terminal