



- Slim design saves space – just 12.5 mm wide
- For use up to SIL 3 (IEC/EN 61508)
- A wire breakage and short-circuit monitoring system, which can be disconnected and includes messages

A3

MY R. STAHL 9275A



The Series 9275 digital outputs transmit signals for the intrinsically safe operation of Ex i solenoid valves, indicator lamps and horns. The devices feature three-way galvanic separation.

	IECEX / ATEX					
Zone	0	1	2	20	21	22
Ex interface	•	•	•	•	•	•
Installation in			•			

	NEC® 500 CE Code Appendix J					
	Class I		Class II		Class III	
Division	1	2	1	2	1	2
Ex interface	•	•	•	•	•	•
Installation in		•				

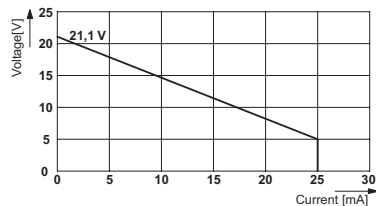
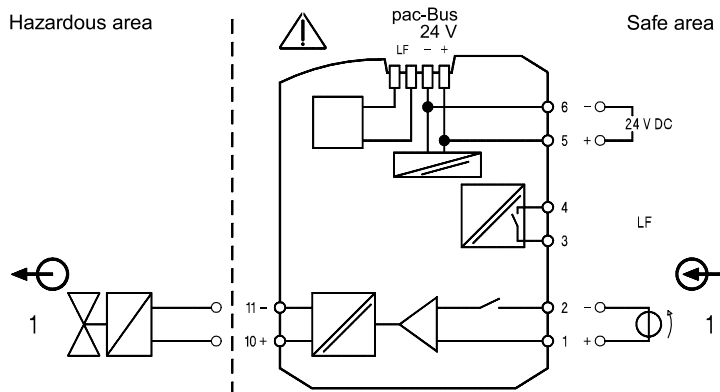
	CE Code Section 18					
	NEC® 505			NEC® 506		
Zone	Class I			20	21	22
Ex interface	•	•	•			
Installation in			•			

Selection Table						
Number of channels	1					
Output open-circuit voltage U_o	Max. output current $I_{o,max}$	Output internal resistance R_i	Connection type	Product Type	Art. No.	Weight
21.1 V	25.1 mA	641 Ω	Screw terminal	9275/10-21-25-11s	261434	160 g
		641 Ω	Spring clamp terminal	9275/10-21-25-11k	261436	160 g
24.3 V	48 mA	297 Ω	Screw terminal	9275/10-24-48-11s	261435	160 g
		297 Ω	Spring clamp terminal	9275/10-24-48-11k	261437	160 g

Technical Data		
Variant	9275/10-21-25-11.	9275/10-24-48-11.
Explosion Protection		
IECEX gas explosion protection	Ex nA [ja Ga] IIC T4 Gc	Ex nA [ja Ga] IIC T4 Gc
IECEX dust explosion protection	[Ex ia Da] IIIC	[Ex ia Da] IIIC
ATEX gas explosion protection	⊕ II 3 (1) G Ex nA [ja Ga] IIC T4 Gc	⊕ II 3 (1) G Ex nA [ja Ga] IIC T4 Gc
ATEX dust explosion protection	⊕ II (1) D [Ex ia Da] IIIC	⊕ II (1) D [Ex ia Da] IIIC
Certificates	ATEX (IBE), Canada (UL), China (CQM), IECEX (IBE), India (PESO), Korea (KTL), SIL (BVS), USA (UL)	ATEX (IBE), Canada (UL), China (CQM), IECEX (IBE), India (PESO), Korea (KTL), SIL (BVS), USA (UL)
Ship approval	DNV	DNV
Declaration of Conformity	ATEX (EUK), China (CCC)	ATEX (EUK), China (CCC)
Safety Data		
Max. voltage U_o	23.98 V	27.06 V
Max. current I_o (Ex ia)	37.4 mA	91.11 mA
Max. power P_o	224 mW	616 mW
Safety-related max. voltage	253 V AC	253 V AC

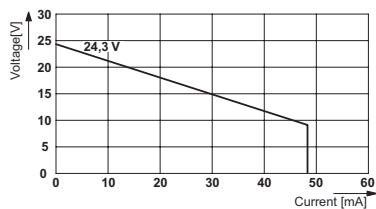
Technical Data		
Variant	9275/10-21-25-11.	9275/10-24-48-11.
Functional Safety		
SIL	3	3
Auxiliary Power		
Auxiliary power	24 V DC	24 V DC
Nominal current	50 mA	90 mA
Power consumption	1.2 W	2.16 W
Polarity reversal protection	Yes	Yes
Input		
Input voltage for ON	15 – 30 V	15 – 30 V
Input voltage for OFF	0 – 5 V	0 – 5 V
Output		
Fault message contact switching capacity	30 V / 50 mA	30 V / 50 mA
Ambient Conditions		
Ambient temperature	-20 °C ... +60 °C	-20 °C ... +60 °C
Storage temperature	-40 °C ... +80 °C	-40 °C ... +80 °C

Technical Drawings – Subject to Alterations



Output characteristic curve 9275/10-21-25-11


Connection diagram 9275/10-21-25-11



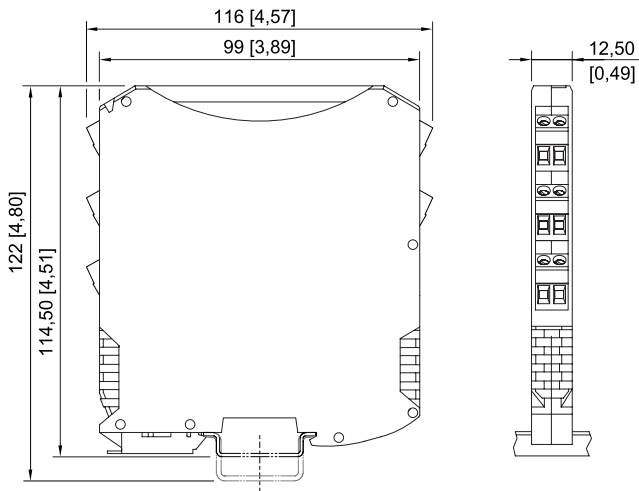
Output characteristic curve 9275/10-24-48-11

Accessories

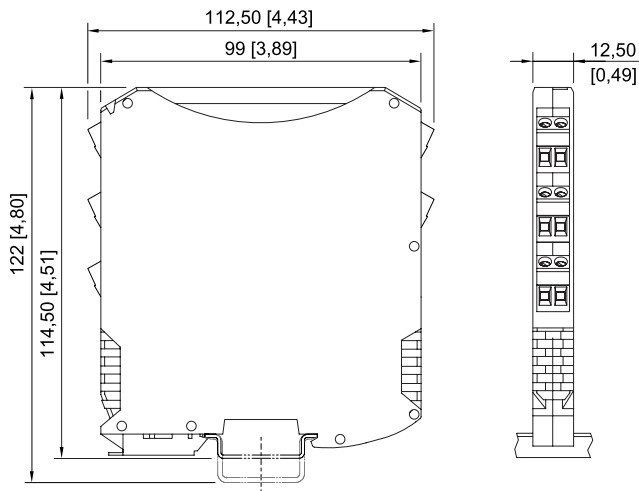
Figure	Description	Art. No.	Weight
Supply module			
	Redundant supply of 24 V DC auxiliary power (with fuse) and reading out the collective error message from Series 92xx ISpac modules which support this function. Screw terminal connection	268183	135 g
	Redundant supply of 24 V DC auxiliary power (with fuse) and reading out the collective error message from Series 92xx ISpac modules which support this function. Spring clamp terminal connection	268184	135 g

Accessories			
Figure	Description	Art. No.	Weight
pac-Bus			
	Wiring auxiliary power and collective error message	262928	6 g

Dimensional Drawings (All Dimensions in mm [inches]) – Subject to Alterations



ISpac Series 9260, 9270, 9275, 9276, 9282 with spring clamp terminal



ISpac Series 9260, 9265, 9270, 9275, 9276, 9282 with screw terminal