



- High-frequency motion sensor
- Intelligent sensor technology
- Adjustable switching time
- Operating point adjustable for dawn/dusk

E4

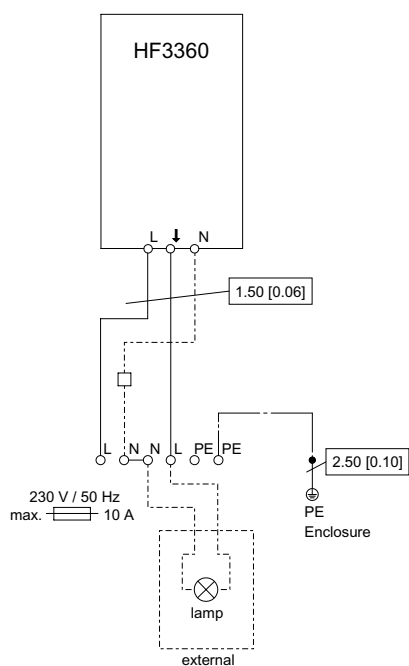
MY R. STAHL 8265E

The motion sensor is equipped with intelligent sensor technology that provides additional security. With a range from 1 to 8 m, a switching load of 1000 W and an operating point from 2 to 2000 lux, the motion sensor is perfect for controlling lights and lighting systems.

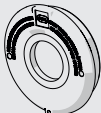


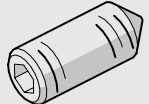
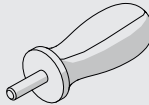
	IECEX / ATEX					
Zone	0	1	2	20	21	22
Installation in		•	•		•	•

Selection Table						
Design		Motion sensor				
Width	Height	Length	Product Type	Art. No.	Weight	
195 mm	172 mm	195 mm	8265/53	258122	8.18 kg	


Technical Data	
Explosion Protection	
IECEX gas explosion protection	Ex db eb IIC T6 Gb
IECEX dust explosion protection	Ex tb IIIC T80 °C Db
ATEX gas explosion protection	Ⓔ II 2 G Ex db eb IIC T6 Gb
ATEX dust explosion protection	Ⓔ II 2 D Ex tb IIIC T80 °C Db
Certificates	ATEX (PTB), Brazil (ULB), China (NEPSI), IECEX (PTB), India (PESO), Korea (KGS)
Declaration of Conformity	China (CCC)
Notes	Product label may vary. Series devices are labelled with ATEX and IECEX.
Ambient Conditions	
Ambient temperature	-20 °C ... +40 °C
Mechanical Data	
Degree of protection (IP)	IP66
Degree of protection note	with silicone seal
Enclosure material	Aluminium, copper-free, Seawater-resistant
Material note	For long-term use in marine environments, we recommend painting the unit
Components	
Stopping plugs	2 x CMP-757D MsNi M20
Stopping plug note	with white seal PA M20





Accessories

Figure	Description	Art. No.	Weight
Cover with sight glass			
	for size 3 enclosure visible cut-out in the sight glass dia. 142 mm [5.59 inches]	143452	2.23 kg
Metal cable gland			
	Ex d and Ex e cable glands with RapidEx sealing system for all types of unarmoured cables and wire-braid-armoured cables (nickel-plated brass) Type 20PX2K-REX, M20 x 1.5	246649	240 g
	Ex d and Ex e cable glands with RapidEx sealing system for all types of unarmoured cables and wire-braid-armoured cables (nickel-plated brass) Type 20PXSS2K-REX, M20 x 1.5	246605	200 g
Threaded pin			
	M5x16-A2 with hexagon socket and pointed tip	110216	1 g
Box spanner			
	for opening a size 1, 2, 3, 4 enclosure cover two box spanners are required	142059	60 g

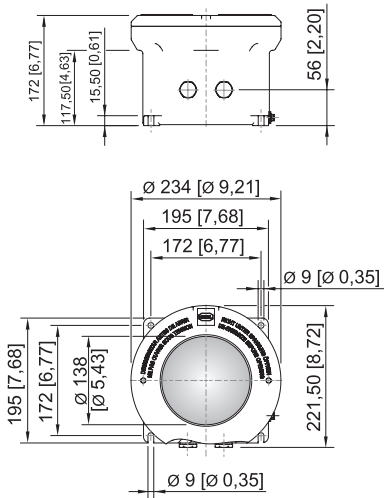
Accessories

Figure	Description	Art. No.	Weight
Grease for thread gaps			
	Grease for low temperatures	275854	1 kg

Spare Parts

Figure	Description	Art. No.	Weight
Mounting plate			
	for enclosure size 3 M5 x 8 screws are not included in the delivery	143485	364 g
O-ring			
	Silicone, for enclosure size 3	305500	10 g

Dimensional Drawings (All Dimensions in mm [inches]) – Subject to Alterations



Enclosure size 3 with sight glass