



- High degree of protection, IP66/67, IP67 without breather
- Manufactured in acid proof stainless steel (AISI 316L)
- Stainless steel Type Label spot welded to the cover
- Several earthing alternatives
- Maximum strength and corrosion resistance
- High operational reliability
- Low lifetime maintenance cost
- Recommended for up to 2 heating cables

E6

WebCode **T1058K**



Tranberg heat trace boxes are represented in most of the oil installations in the North Sea, petrochemical industry and other industries subjected to rough environments.

Tranberg has designed and manufactured heat tracing equipment and heating applications for rough environments for more than 25 years.

Our product range includes a number of different heat tracing junction boxes.

	IECEX / ATEX					
Zone	0	1	2	20	21	22
Installation in		•	•			

Selection Table			
Enclosure material	Stainless steel 1.4404, (AISI 316L), electropolished		
Description	Product Type	Art. No.	
Junction box with 2 pc. cable glands E204/622 M25/D9 (Ø13 – 17 mm) 2 pc. stopping plugs 1 pc. breather 2 pc. temporary plugs	TEF10581638	259493	
Junction box with 7 pc. Ø25 entries (with temporary plugs) Note: Label Kit not included	TEF10581648	259492	
Enclosure material	Stainless steel 1.4404, AISI 316L, pickled		
Description	Product Type	Art. No.	
Junction box with 2 pc. cable glands E204/622 M25/D9 (Ø13 – 17 mm) 2 pc. stopping plugs 1 pc. breather 2 pc. temporary plugs	TEF10581618	259491	
Junction box with 7 pc. Ø25 entries (with temporary plugs) Note: Label Kit not included	TEF10581608	259490	

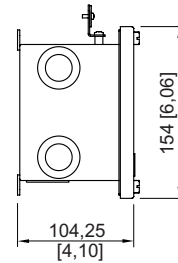
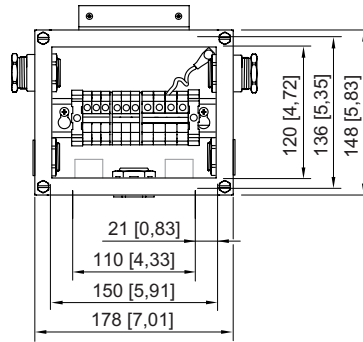
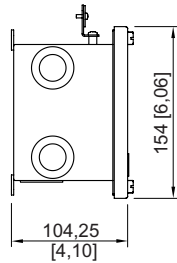
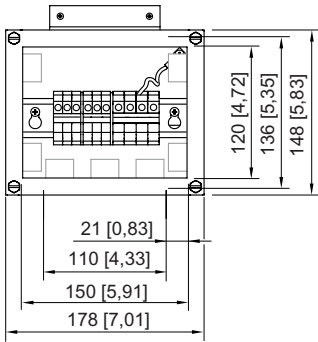
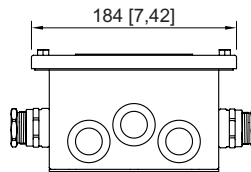
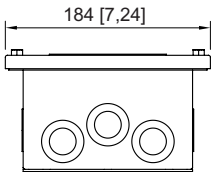
Technical Data	
Explosion Protection	
IECEX gas explosion protection	Ex eb IIC T5 Gb
ATEX gas explosion protection	⊕ II 2 G Ex eb IIC T5 Gb
Ambient Conditions	
Ambient temperature	-50 °C ... +50 °C

### Technical Data

#### Mechanical Data

Silicone-free	No
Connection cross-section	6 mm <sup>2</sup>

### Dimensional Drawings (All Dimensions in mm [inches]) – Subject to Alterations



TEF10581618 and TEF10581638

TEF10581608 and TEF10581648